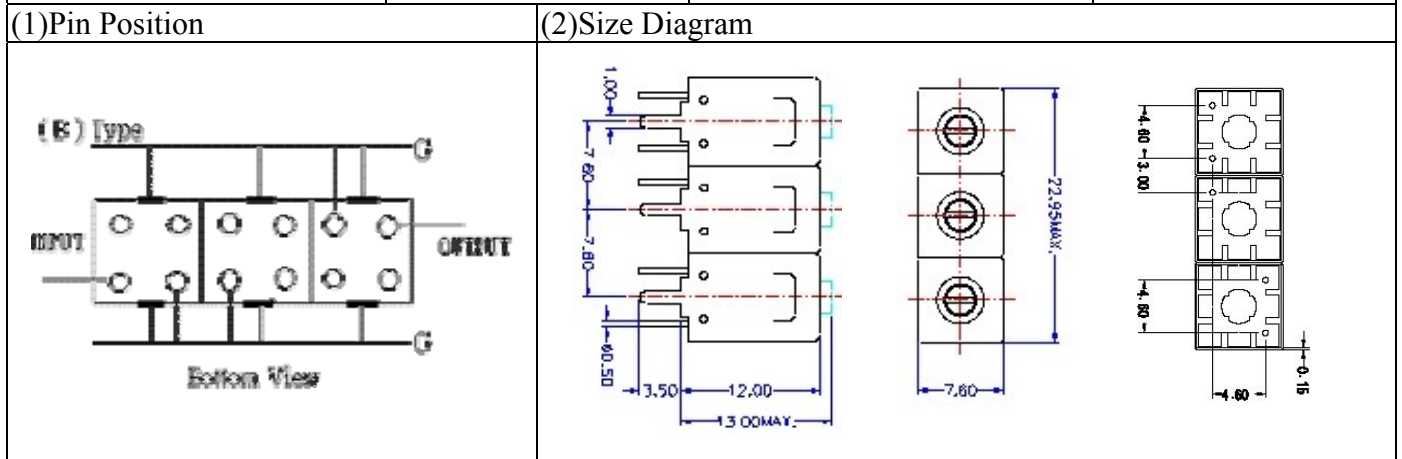


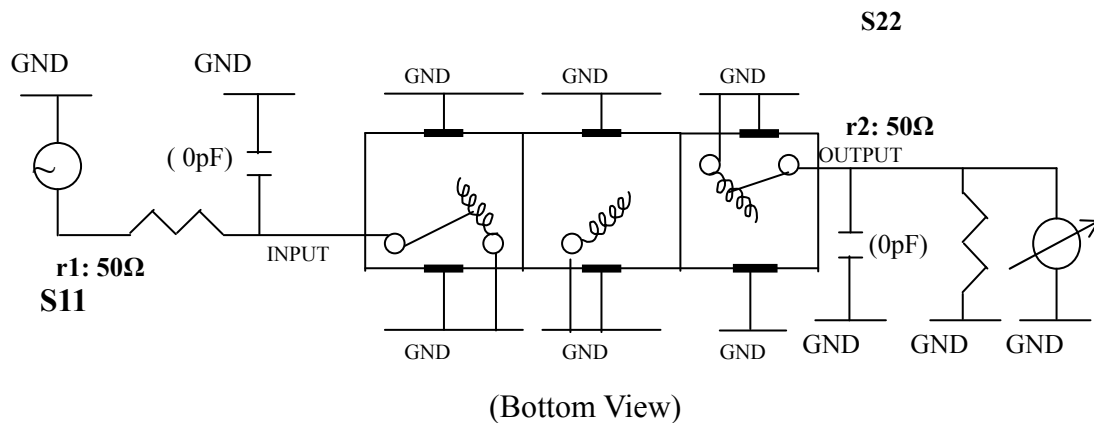
VHF UHF Helical Filter Specification Sheet

Customer Name		Temwell's Part No.	TT67875B-620M
Approval No. /dated	200810010CD	Acceptable Specify Fo Range	67875B 620M
Work Instruction No.	200810010CD	Date	Oct.09.2008



(3) Electric Characteristic			
Item	Specify		Performance
Center Freq.(Fo) +/- 0.5 %	620	MHz	620 MHz
Tunable Range:	620±3	MHz	620±3 MHz
Insertion Loss	Typ. 2.0	dB	0.93 dB
-3 dB Bandwidth	Typ. 85	MHz	91.5 MHz
Sensitivity (Attenuation)	Fo - 200 MHz	Typ. 44 dBc	47 dBc
	Fo + 200 MHz	Typ. 29 dBc	32 dBc
	Fo - ()MHz	Typ. dBc	dBc
	Fo +()MHz	Typ. dBc	dBc
Return Loss	Min. 12	dB	20.7 dB
Ripple	< 1	dB	dB
Impedance	In / Out : 50 Ω		In / Out : 50 Ω
(4) Torque for Tuning Screw > 100gf · cm			
(5) Temperature Condition:			
Operating Temperature	0°C ~ +60°C		
Storage Temperature	-20°C ~ +70°C		
(6) Input Power > 1Watt			

(7) Measuring Circuit: ※Easy to match Impedance S11/S22 50Ω by parallel with about(0pF) / (0pF).

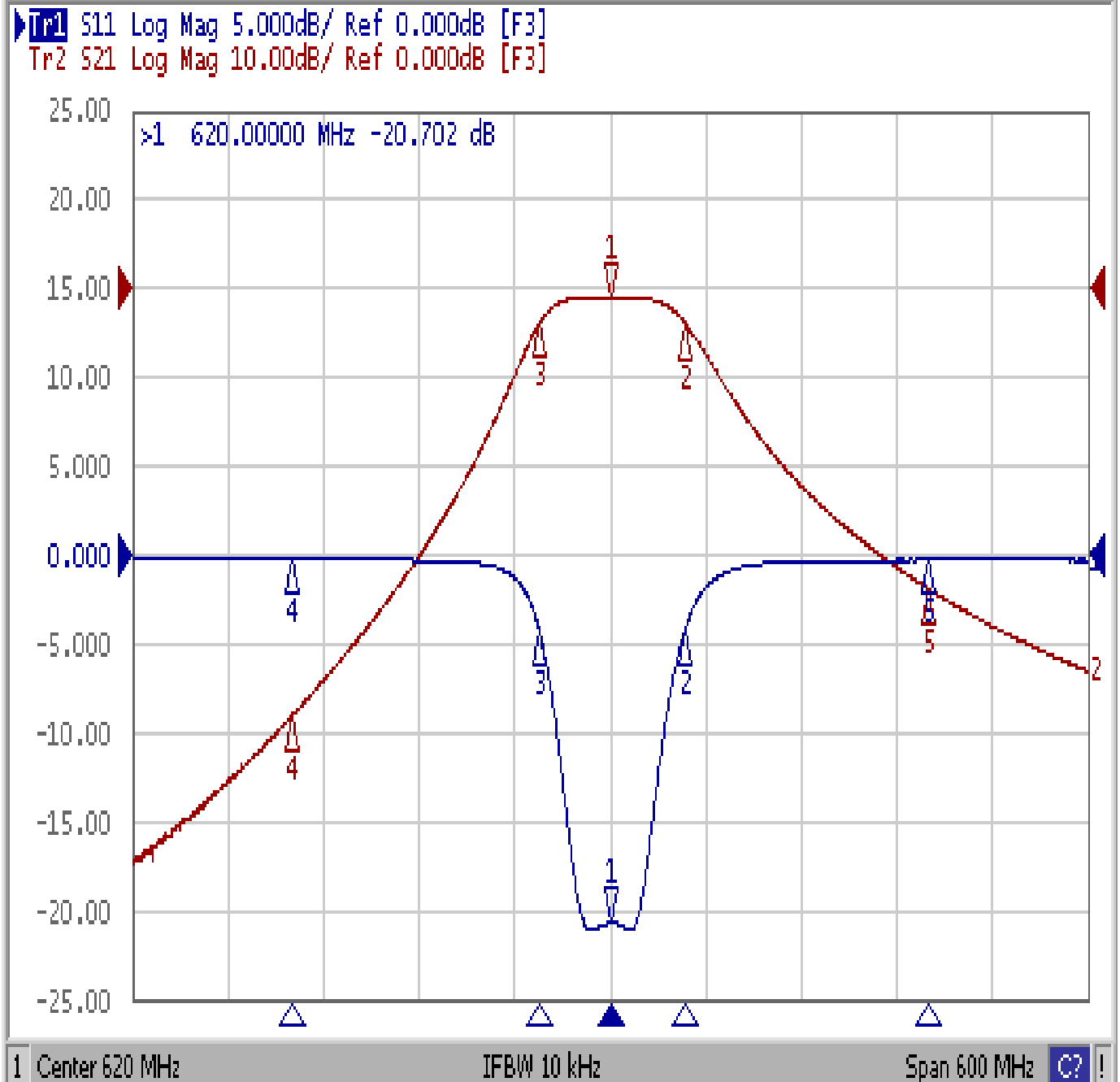


Approval	Supervisor	Designer	Aperture size
C.Y.Chang	C.S.Chang	C.S.Chang	7H3S(4*5.5F) (7H046RB6.5)

TEMWELL CORPORATION

Performance-TT67875B-620M

200810010CD



Ch1	Tr1	S11	>1	620.00000	MHz	-20.702	dB
Ch1	Tr1	S11	2	667.10200	MHz	-4.1549	dB
Ch1	Tr1	S11	3	575.61200	MHz	-4.2977	dB
Ch1	Tr1	S11	4	420.00000	MHz	-0.1755	dB
Ch1	Tr1	S11	5	820.00000	MHz	-0.2806	dB
Ch1	Tr2	S21	1	620.00000	MHz	-0.9337	dB
Ch1	Tr2	S21	2	667.10200	MHz	-3.9412	dB
Ch1	Tr2	S21	3	575.61200	MHz	-3.9127	dB
Ch1	Tr2	S21	4	420.00000	MHz	-48.136	dB
Ch1	Tr2	S21	5	820.00000	MHz	-33.818	dB