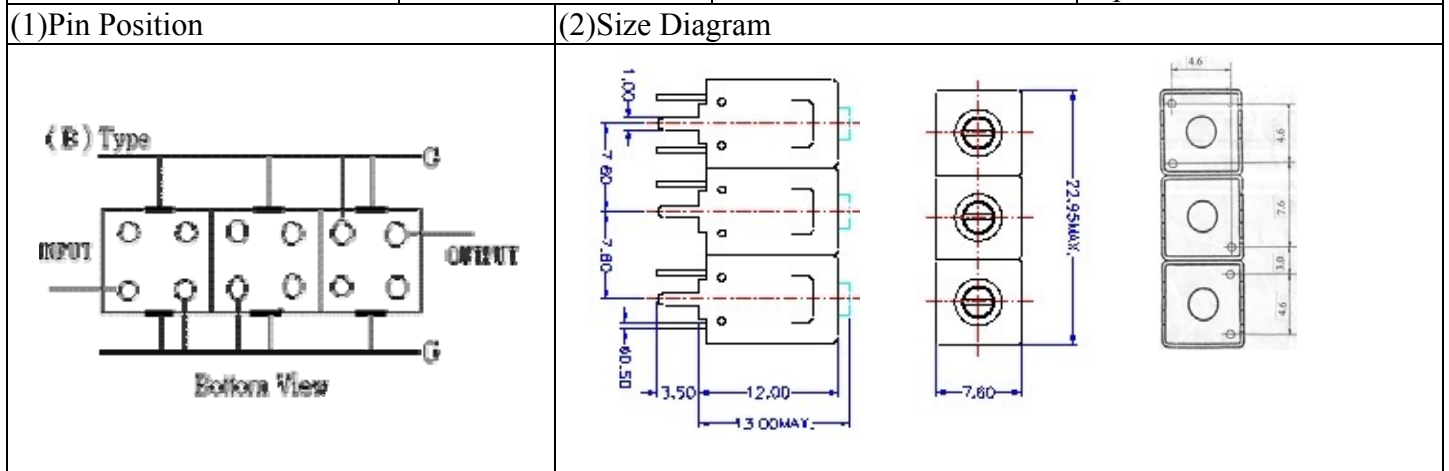


VHF UHF Helical Filter Specification Sheet

Customer Name		Temwell's Part No.	TT67869B-350M
Approval No. /dated	201008098CD	Temwell's print name.	67869B 350M
Work Instruction No.	201008098CD	Date	Sep.02.2010



(3) Electric Character

Item	Specify	Performance	
Center Freq.(Fo) +/- 0.5 %	350 MHz	350 MHz	
Insertion Loss	Typ. 1.5 dB	0.65 dB	
-3 dB Bandwidth	Typ. 90 MHz	105.0 MHz	
Sensitivity (Attenuation)	Fo - 150 MHz	Typ. 49 dBc	56 dBc
	Fo + 150 MHz	Typ. 20 dBc	23 dBc
	Fo - ()MHz	Typ. dBc	dBc
	Fo +()MHz	Typ. dBc	dBc
Return Loss	Min. 12 dB	15.2 dB	
Ripple	< 1 dB	dB	
Impedance	In / Out : 50 Ω	In / Out : 50 Ω	

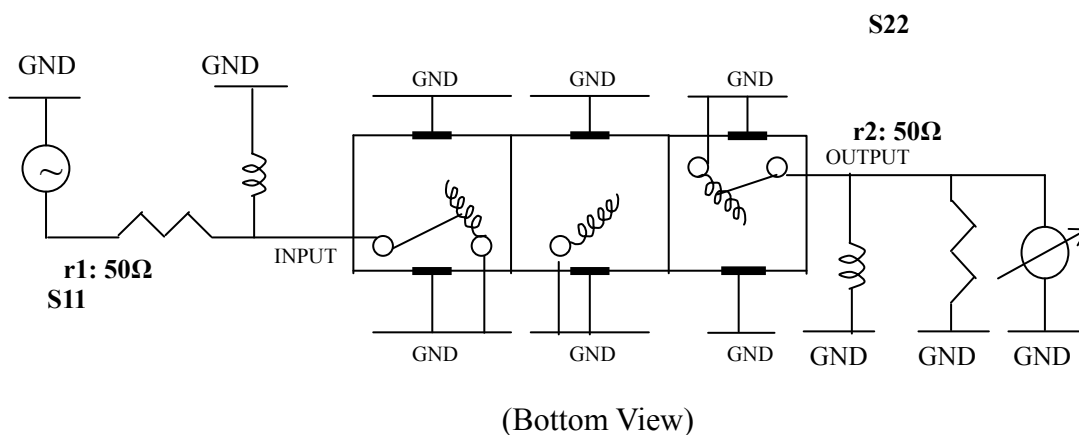
(4) Torque for Tuning Screw > 60gf • cm

(5) Temperature Condition:

Operating Temperature	0°C ~ +60°C
Storage Temperature	-20°C ~ +70°C

(6) Input Power > 1Watt

(7) Measuring Circuit: ※Easy to match Impedance S11/S22 50Ω by parallel with about(--) / (--)



Approval	Supervisor	Designer	Aperture size
C.Y.Chang	C.S.Chang	K.M.Yin	7H3S(4*8.0)(8.02) 7H046RB6.5(LBW)

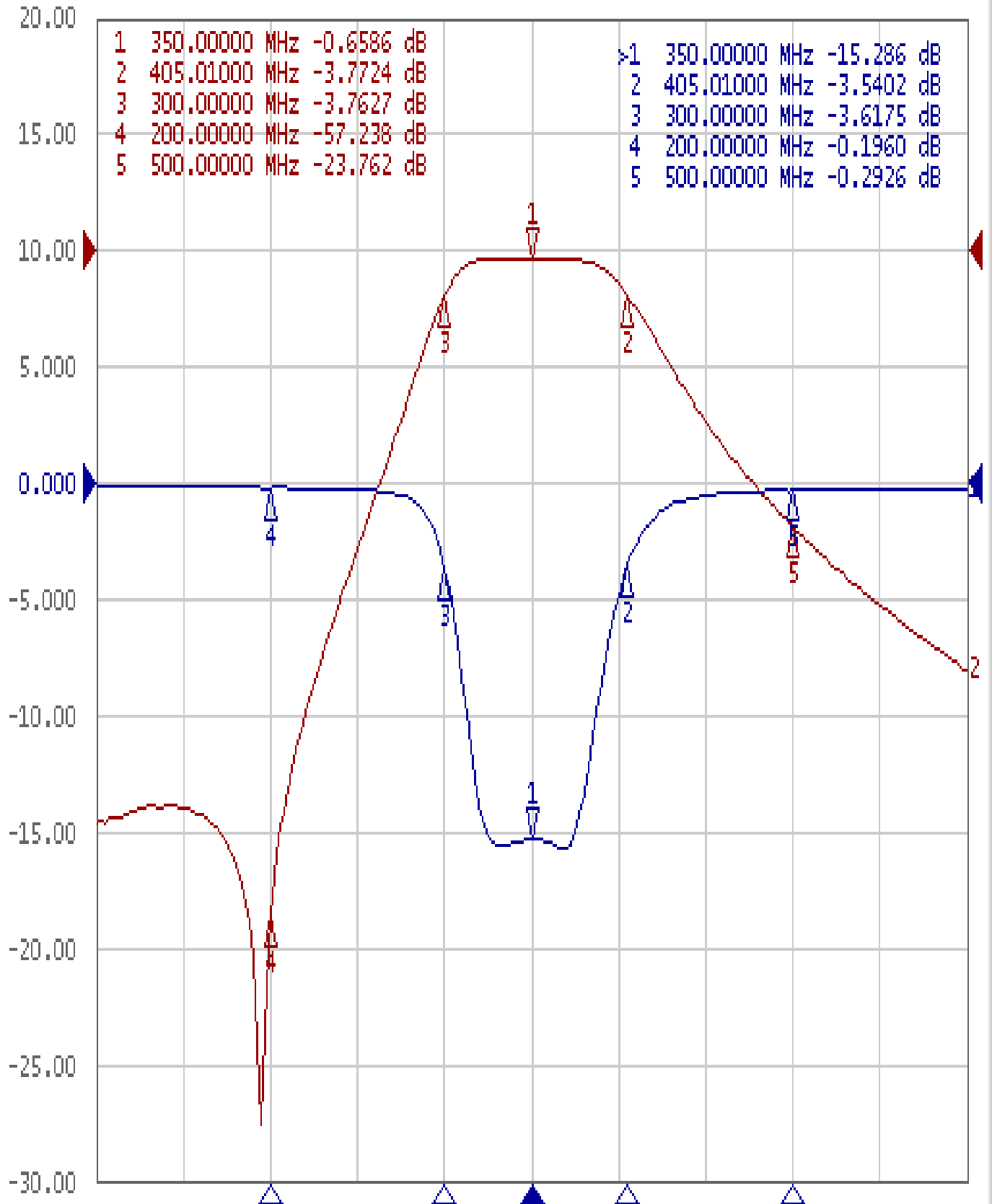
TEMWELL CORPORATION

Performance-TT67869B-350M

201008098CD

Tr1 S11 Log Mag 5.000dB/ Ref 0.000dB [F2]

Tr2 S21 Log Mag 10.00dB/ Ref 0.000dB [F2]



1 Center 350 MHz

IFBW 70 kHz

Span 500 MHz

Cor !