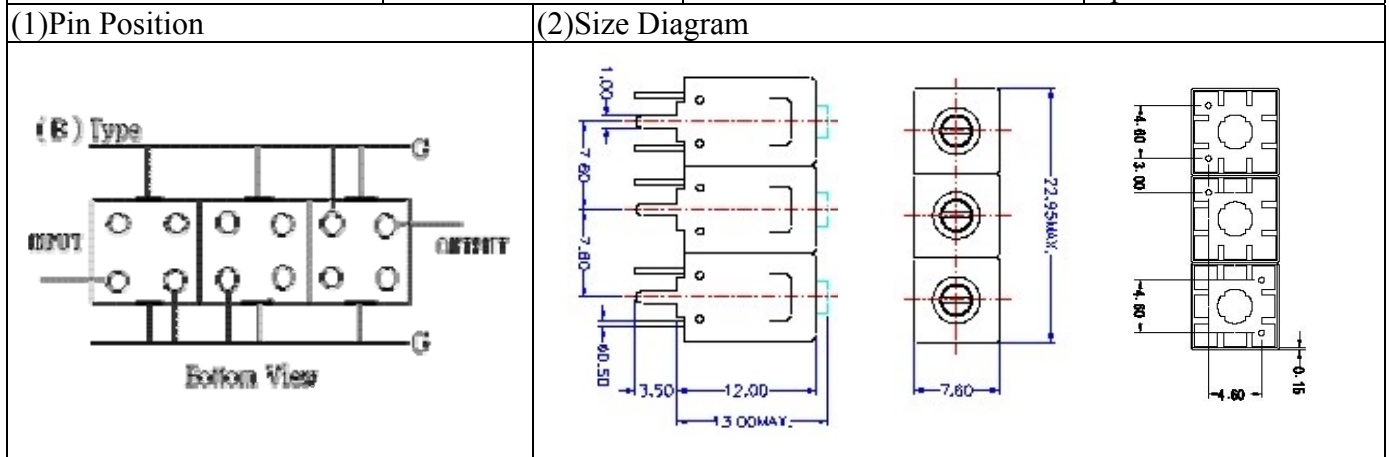


VHF UHF Helical Filter Specification Sheet

Customer Name		Temwell's Part No.	TT67868B-933M
Approval No. /dated	0903006APR	Customer's Print Name.	67868B 933M
Work Instruction No.	200903006CD	Date	Apr.20.2009



(3) Electric Characteristic

Item	Specify	Performance	
Center Freq.(Fo) +/- 0.5 %	933 MHz	933 MHz	
Tunable Range:	933±5 MHz	933±5 MHz	
Insertion Loss	Typ. 2.0 dB	0.90 dB	
-3 dB Bandwidth	Typ. 145 MHz	156.9 MHz	
Sensitivity (Attenuation)	Fo - 200 MHz	Typ. 38 dBc	42 dBc
	Fo + 200 MHz	Typ. 17 dBc	18 dBc
	Fo - ()MHz	Typ. dBc	dBc
	Fo + ()MHz	Typ. dBc	dBc
Return Loss	Min. 12 dB	20.4 dB	
Ripple	< 1 dB	dB	
Impedance	In / Out : 50 Ω	In / Out : 50 Ω	

(4) Torque for Tuning Screw > 100gf · cm

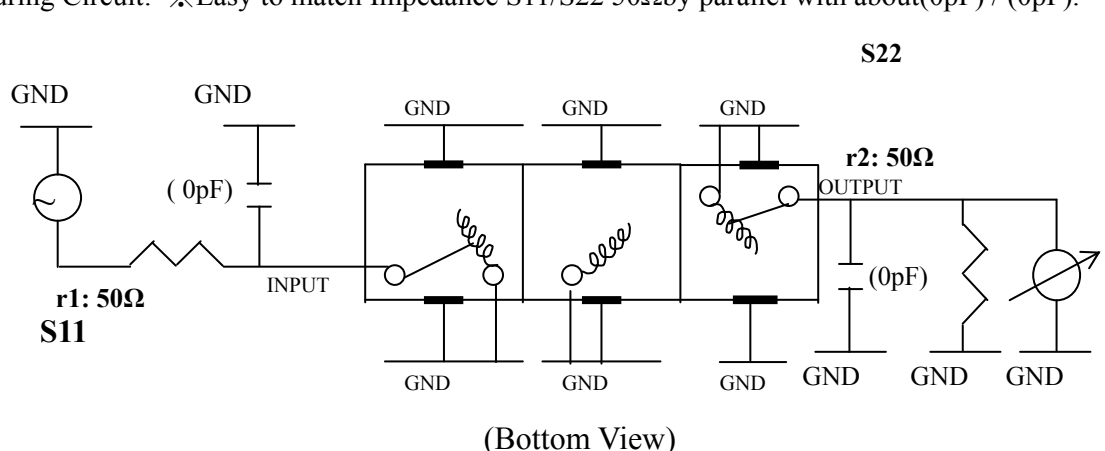
(5) Temperature Condition:

Operating Temperature 0°C ~ +60°C

Storage Temperature -20°C ~ +70°C

(6) Input Power > 1Watt

(7) Measuring Circuit: ※Easy to match Impedance S11/S22 50Ω by parallel with about(0pF) / (0pF).



Approval	Supervisor	Designer	Aperture size
C.Y.Chang	C.K.Chang	C.S.Chang	7H3(4*8.0)(8.12) 7H046RB6.5

TEMWELL CORPORATION

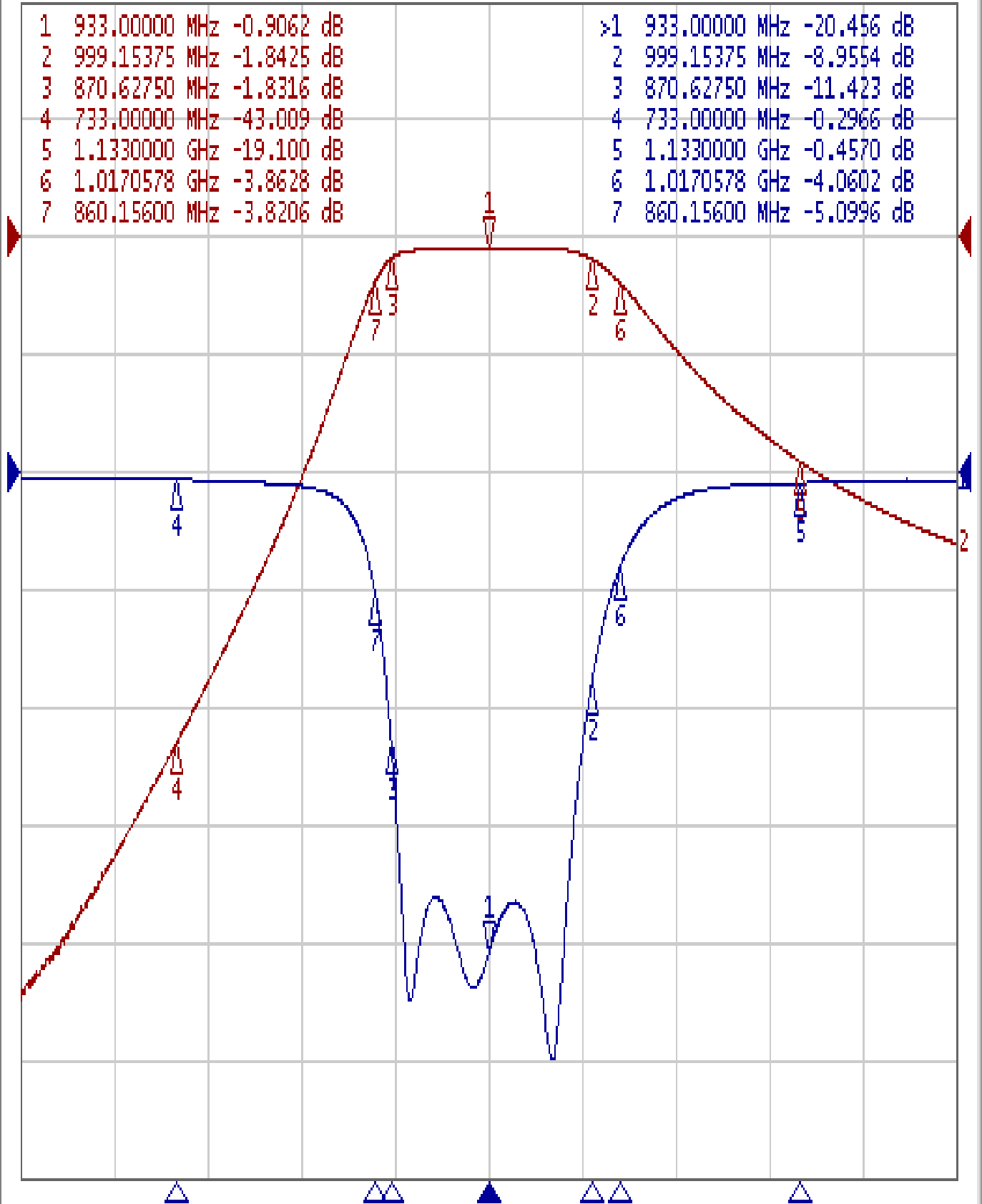
Performance-TT67868B-933M

200903006CD

Tr1 S11 Log Mag 5.000dB/ Ref 0.000dB [F3]
Tr2 S21 Log Mag 10.00dB/ Ref 0.000dB [F3]

1	933.00000 MHz	-0.9062 dB
2	999.15375 MHz	-1.8425 dB
3	870.62750 MHz	-1.8316 dB
4	733.00000 MHz	-43.009 dB
5	1.1330000 GHz	-19.100 dB
6	1.0170578 GHz	-3.8628 dB
7	860.15600 MHz	-3.8206 dB

>1	933.00000 MHz	-20.456 dB
2	999.15375 MHz	-8.9554 dB
3	870.62750 MHz	-11.423 dB
4	733.00000 MHz	-0.2966 dB
5	1.1330000 GHz	-0.4570 dB
6	1.0170578 GHz	-4.0602 dB
7	860.15600 MHz	-5.0996 dB



1 Center 933 MHz

IFBW 10 kHz

Span 600 MHz

