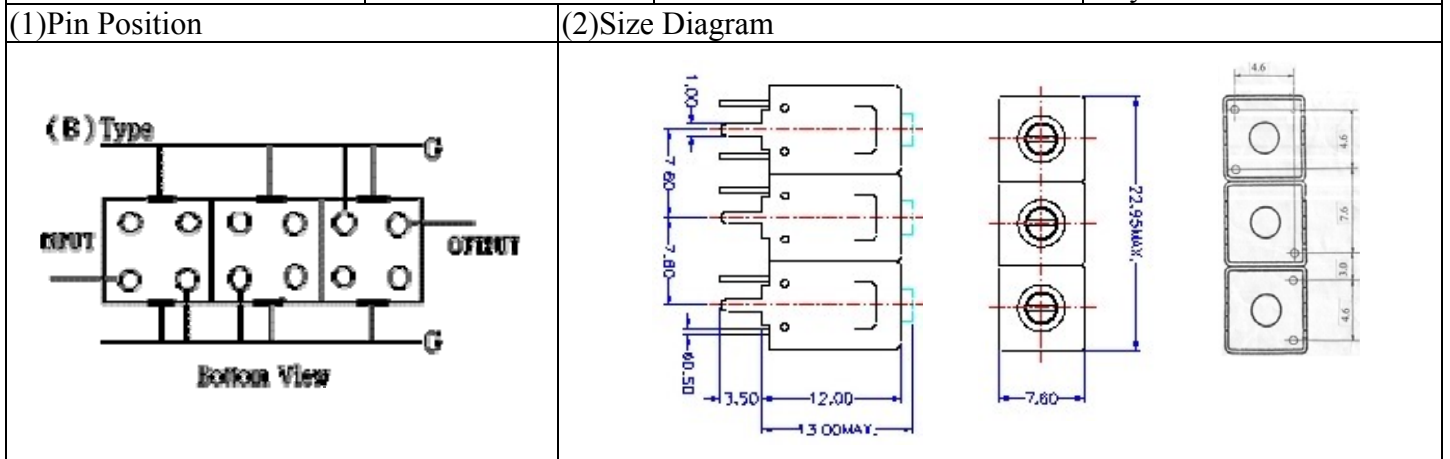


# VHF UHF Helical Filter Specification Sheet

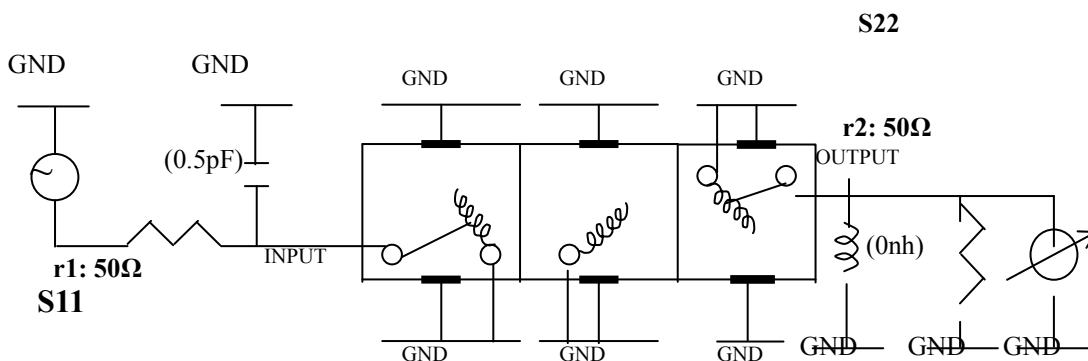
|                      |           |                             |               |
|----------------------|-----------|-----------------------------|---------------|
| Multi-Diplexer Code  | IH01      | Temwell's Part No.          | TT67867B-915M |
| Approval No. /dated  | 0605053DC | Acceptable Specify Fo Range | 901~930MHz    |
| Work Instruction No. | 0605053DC | Date                        | May.16.2006   |



| (3) Electric Character       |              | Specify         | Performance     |
|------------------------------|--------------|-----------------|-----------------|
| Item                         |              |                 |                 |
| Center Freq.(Fo ) +/- 0.5 %  |              | 915 MHz         | 915 MHz         |
| Tunable Range                |              | 915±5 MHz       | 915±5 MHz       |
| Insertion Loss               |              | Typ. 2.5 dB     | 1.20 dB         |
| -3dB Bandwidth               |              | Typ. 90 MHz     | 99.7 MHz        |
| Sensitivity<br>(Attenuation) | Fo - 150 MHz | Typ. 39 dB      | 41 dB           |
|                              | Fo + 150 MHz | Typ. 19 dB      | 22 dB           |
|                              | Fo - ( )MHz  | Typ. dB         | dB              |
|                              | Fo +( )MHz   | Typ. dB         | dB              |
| Return Loss                  |              | Min. 12 dB      | 17.3 dB         |
| Ripple                       |              | < 1 dB          | dB              |
| Impedance                    |              | In / Out : 50 Ω | In / Out : 50 Ω |
| (4) Torque for Tuning Screw  |              | > 100gf · cm    |                 |

|                            |               |
|----------------------------|---------------|
| (5) Temperature Condition: |               |
| Operating Temperature      | 0°C ~ +60°C   |
| Storage Temperature        | -20°C ~ +70°C |
| (6) Input Power            | > 1Watt       |

(7) Measuring Circuit: ※Easy to match Impedance S11/S22 50Ω/by parallel with about (0.5pf) / ( 0nh).



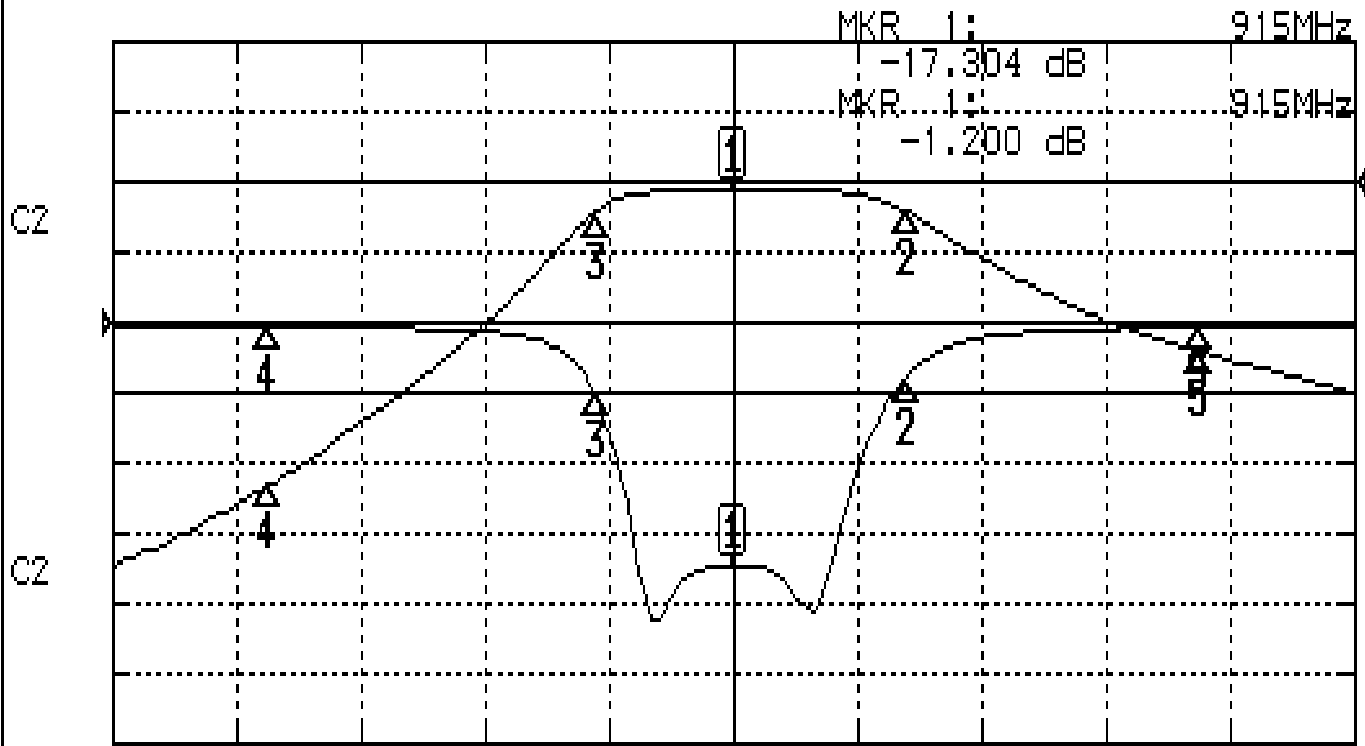
(Bottom View)

|                     |            |             |                                |
|---------------------|------------|-------------|--------------------------------|
| Approval            | Supervisor | Designer    | Aperture size                  |
| C.Y. Chang          | C.S. Chang | P.H. Chiang | 7H3(4*6.5)(6.58)<br>7H046RB6.5 |
| TEMWELL CORPORATION |            |             |                                |

# Performance-TT67867B-915M

## 0605053DC

CH1 S11 LOG MAG REF 0.000 dB 5.000 dB/  
CH2 S21 LOG MAG REF 0.000 dB 10.000 dB/



CENTER 915MHz

[ 10.00 dBm ]

SPAN 400MHz

### CH1 MARKER LIST

| Marker | Frequency    | Magnitude  |
|--------|--------------|------------|
| 1      | 915.000MHz   | -17.304 dB |
| 2      | 970.333MHz   | -3.945 dB  |
| 3      | 870.666MHz   | -5.136 dB  |
| 4      | 765.000MHz   | -0.321 dB  |
| 5      | 1.065 000GHz | -0.382 dB  |

### CH2 MARKER LIST

| Marker | Frequency    | Magnitude  |
|--------|--------------|------------|
| 1      | 915.000MHz   | -1.201 dB  |
| 2      | 970.333MHz   | -4.221 dB  |
| 3      | 870.666MHz   | -4.263 dB  |
| 4      | 765.000MHz   | -43.172 dB |
| 5      | 1.065 000GHz | -24.148 dB |