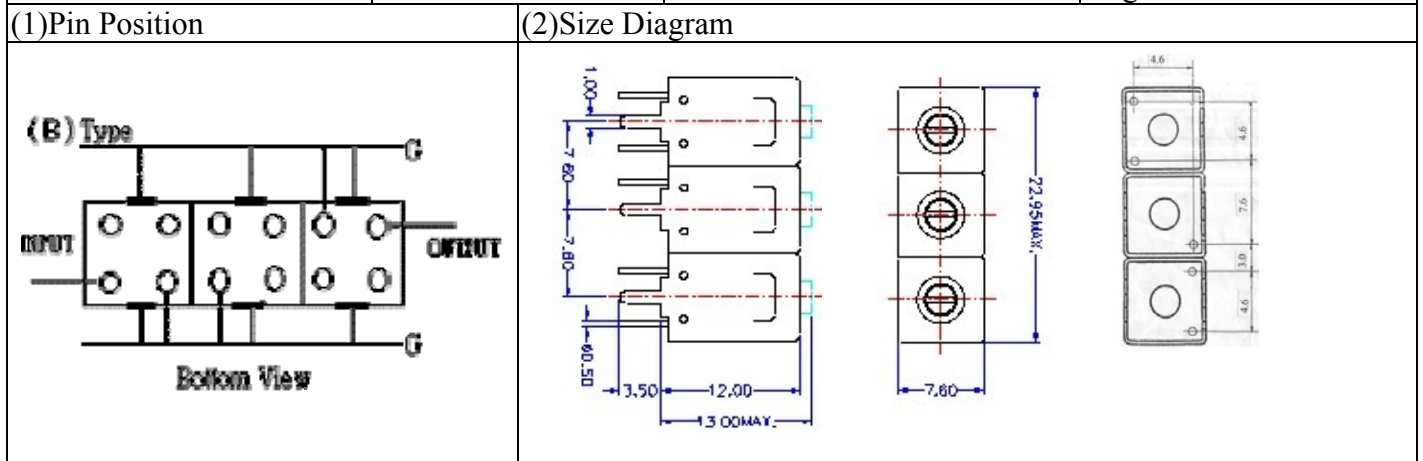


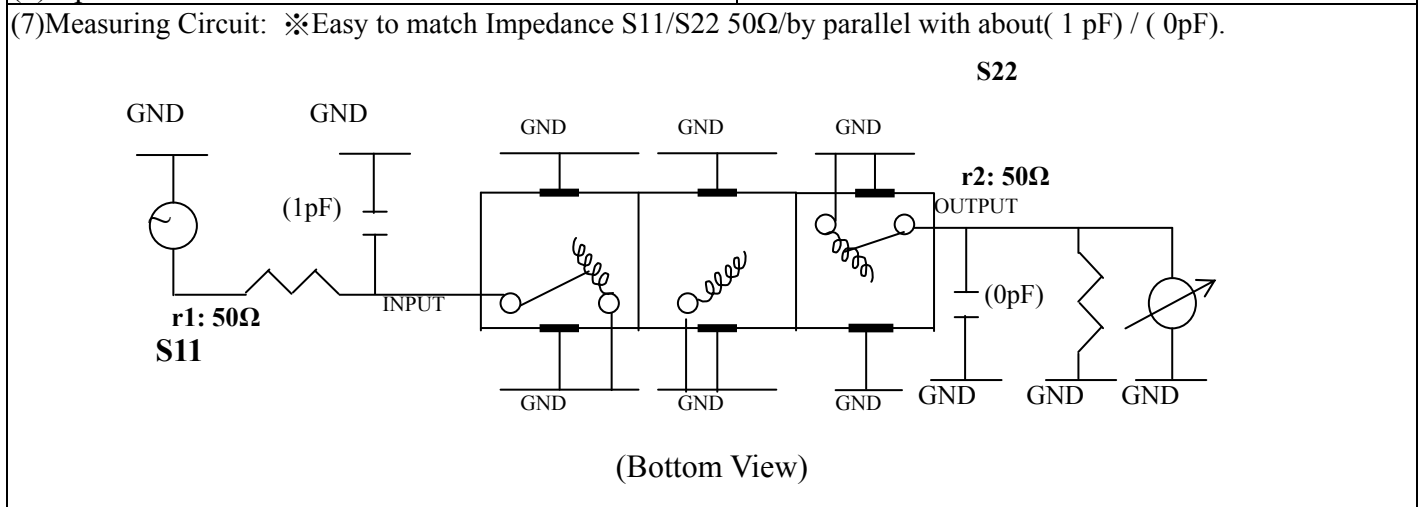
# VHF UHF Helical Filter Specification Sheet

|                      |          |                             |               |
|----------------------|----------|-----------------------------|---------------|
| Multi-Diplexer Code  | HL01     | Temwell's Part No.          | TT67866B-883M |
| Approval No. /dated  | 0607056C | Acceptable Specify Fo Range | 861~900M      |
| Work Instruction No. | 0607056C | Date                        | Aug.07.2006   |



| Item                         |              | Specify         |     | Performance     |     |
|------------------------------|--------------|-----------------|-----|-----------------|-----|
| Center Freq.(Fo) +/- 0.5 %   |              | 883             | MHz | 883             | MHz |
| Tunable Range                |              | 883±5           | MHz | 883±5           | MHz |
| Insertion Loss               |              | Typ. 2.0        | dB  | 0.88            | dB  |
| -3 dB Bandwidth              |              | Typ. 145        | MHz | 150.0           | MHz |
| Sensitivity<br>(Attenuation) | Fo - 200 MHz | Typ. 38         | dBc | 40              | dBc |
|                              | Fo + 200 MHz | Typ. 16         | dBc | 19              | dBc |
|                              | Fo - ( )MHz  | Typ.            | dBc |                 | dBc |
|                              | Fo +( )MHz   | Typ.            | dBc |                 | dBc |
| Return Loss                  |              | Min. 12         | dB  | 16.5            | dB  |
| Ripple                       |              | < 1             | dB  |                 | dB  |
| Impedance                    |              | In / Out : 50 Ω |     | In / Out : 50 Ω |     |
| (4) Torque for Tuning Screw  |              | > 100gf • cm    |     |                 |     |

|                            |               |
|----------------------------|---------------|
| (5) Temperature Condition: |               |
| Operating Temperature      | 0°C ~ +60°C   |
| Storage Temperature        | -20°C ~ +70°C |
| (6) Input Power            | > 1Watt       |

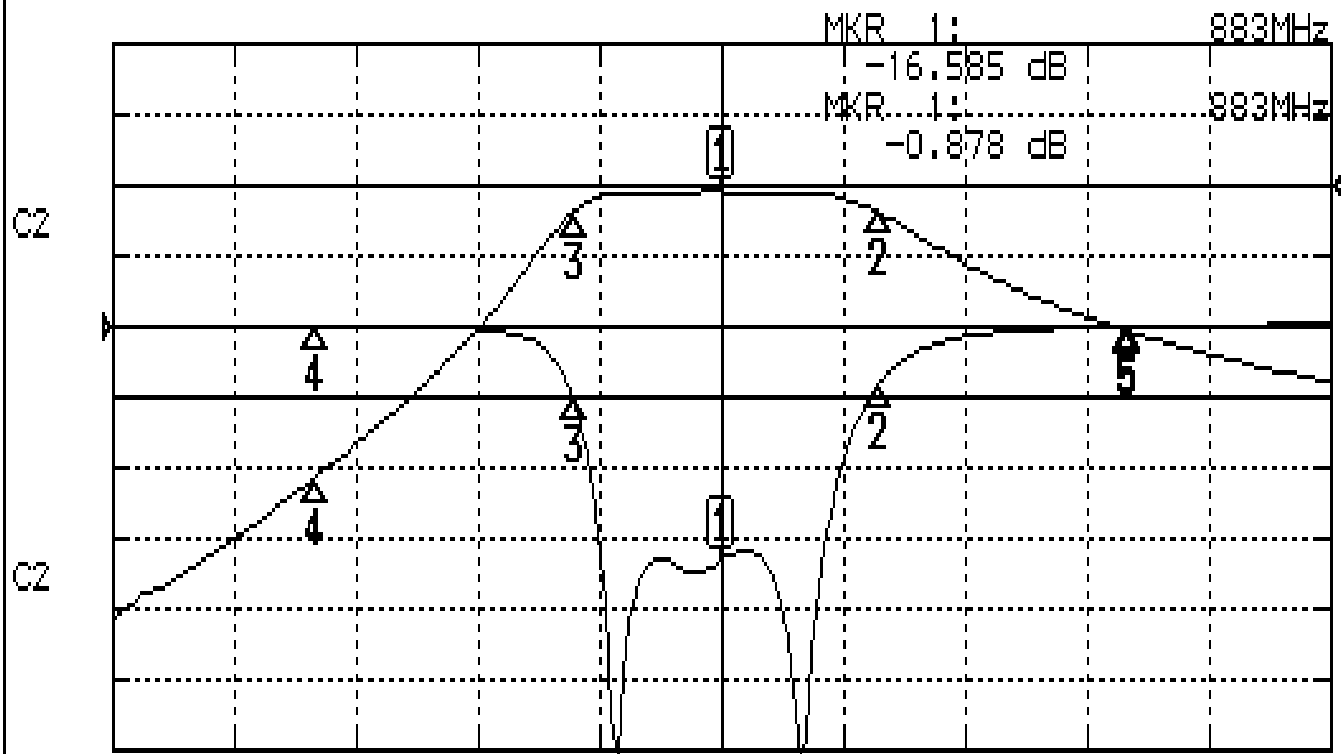


|                     |            |           |                            |
|---------------------|------------|-----------|----------------------------|
| Approval            | Supervisor | Designer  | Aperture size              |
| C.Y.Chang           | C.S.Chang  | C.S.Chang | 7H3S(4*8.0)F<br>7H046RB6.5 |
| TEMWELL CORPORATION |            |           |                            |

# Performance-TT67866B-883M

## 0607056C

**CH1** S11                    LOG MAG                    REF 0.000 dB            5.000 dB/  
**CH2** S21                    LOG MAG                    REF 0.000 dB            10.000 dB/



CENTER 883MHz

[ 10.00 dBm ]

SPAN 600MHz

### CH1 MARKER LIST

| Marker | Frequency    | Magnitude | Unit |
|--------|--------------|-----------|------|
| 1      | 883.000MHz   | -16.585   | dB   |
| 2      | 960.000MHz   | -14.159   | dB   |
| 3      | 810.000MHz   | -5.045    | dB   |
| 4      | 683.000MHz   | 0.054     | dB   |
| 5      | 1.083 000GHz | 0.016     | dB   |

### CH2 MARKER LIST

| Marker | Frequency    | Magnitude | Unit |
|--------|--------------|-----------|------|
| 1      | 883.000MHz   | -0.882    | dB   |
| 2      | 960.000MHz   | -3.853    | dB   |
| 3      | 810.000MHz   | -3.811    | dB   |
| 4      | 683.000MHz   | -41.286   | dB   |
| 5      | 1.083 000GHz | -20.620   | dB   |