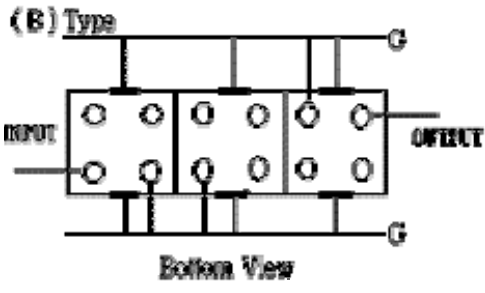
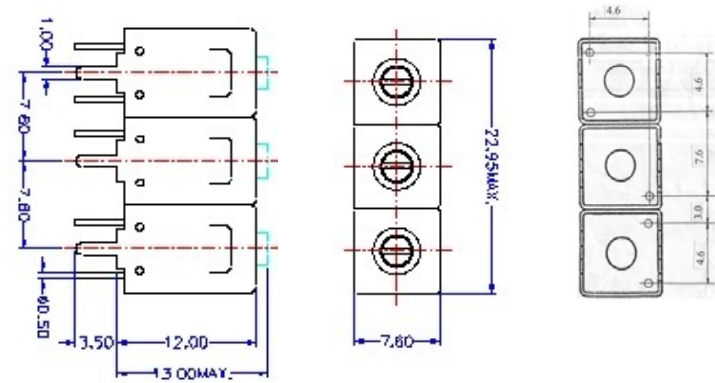


# VHF UHF Helical Filter Specification Sheet

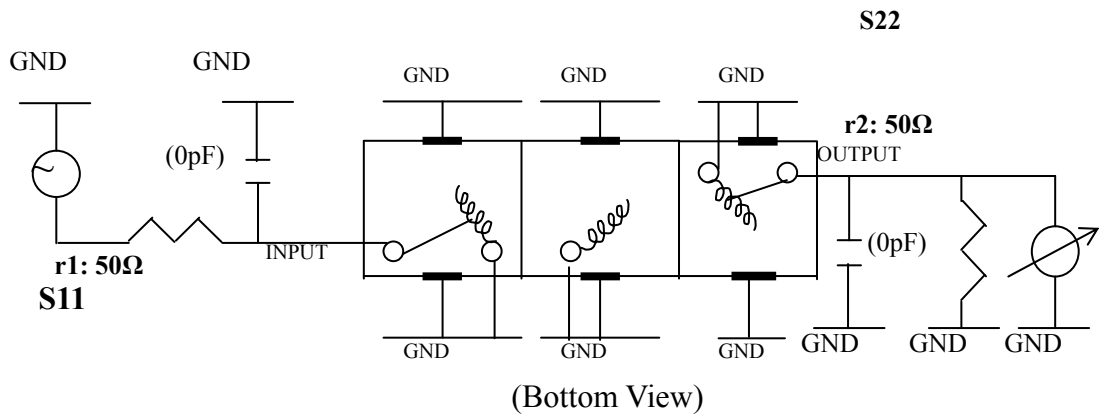
Customer Name		Temwell's Part No.	TT67864B-1075M
Approval No. /dated	0605050DC	Acceptable Specify Fo Range	1001~1100 MHZ
Work Instruction No.	0605050DC	Date	May.18.2006

<p>(1) Pin Position</p>  <p style="text-align: center;">Bottom View</p>	<p>(2) Size Diagram</p> 
--	--

(3) Electric Character			
Item	Specify	Performance	
Center Freq.(Fo ) +/- 0.5 %	1075 MHz	1075	MHz
Tunable Range	1075±5 MHz	1075±5	MHz
Insertion Loss	Typ. 2.5 dB	0.89	dB
-3 dB Bandwidth	Typ. 120 MHz	138.5	MHz
Sensitivity (Attenuation)	Fo - 300 MHz	Typ. 50	dBc
	Fo + 300 MHz	Typ. 20	dBc
	Fo - ( ) MHz	Typ.	dBc
	Fo +( ) MHz	Typ.	dBc
Return Loss	Min. 12 dB	30.3	dB
Ripple	< 1 dB		dB
Impedance	In / Out : 50 Ω	In / Out : 50 Ω	
(4) Torque for Tuning Screw	> 100gf • cm		

(5) Temperature Condition:	
Operating Temperature	0°C ~ +60°C
Storage Temperature	-20°C ~ +70°C
(6) Input Power	> 1Watt

(7) Measuring Circuit: ※Easy to match Impedance S11/S22 50Ω/by parallel with about (0 pF) / ( 0 pF).

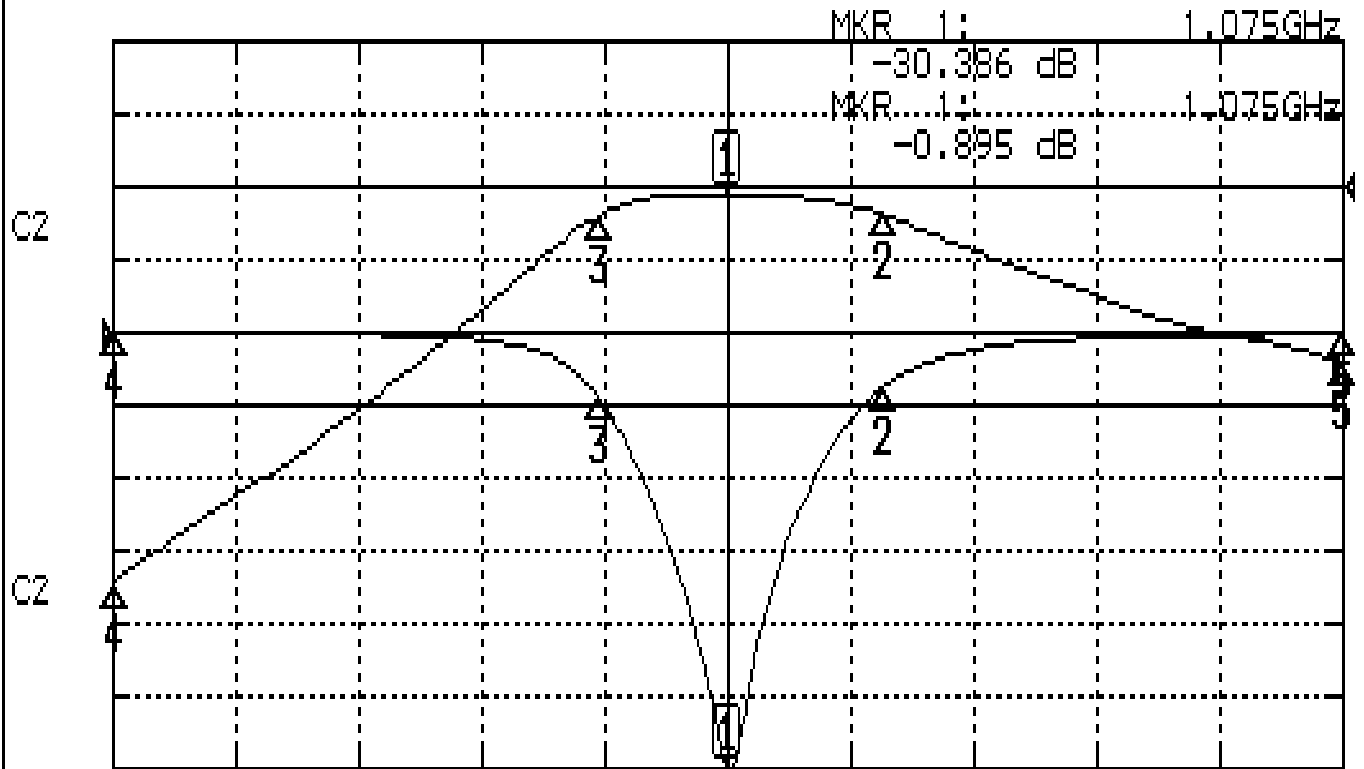


Approval	Supervisor	Designer	Aperture size
C.Y. Chang	C.S. Chang	W.W. Wang	7H3S(4*7.5)(7.55)F 7H046RB6.5
TEMWELL CORPORATION			

# Performance-TT67864B-1075M

## 0605050DC

**CH1** S11                      LOG MAG                      REF    0.000 dB            5.000 dB/  
**CH2** S21                      LOG MAG                      REF    0.000 dB            10.000 dB/



CENTER 1.075GHz

[ 10.00 dBm ]

SPAN 600MHz

CH1 MARKER LIST

1:	1.075 000GHz	-30.386 dB
2:	1.151 500GHz	-3.714 dB
3:	1.013 000GHz	-4.605 dB
4:	775.000MHz	-0.002 dB
5:	1.375 000GHz	-0.102 dB

CH2 MARKER LIST

1:	1.075 000GHz	-0.895 dB
2:	1.151 500GHz	-0.012 dB
3:	1.013 000GHz	-0.025 dB
4:	775.000MHz	-4.337 dB
5:	1.375 000GHz	-23.918 dB