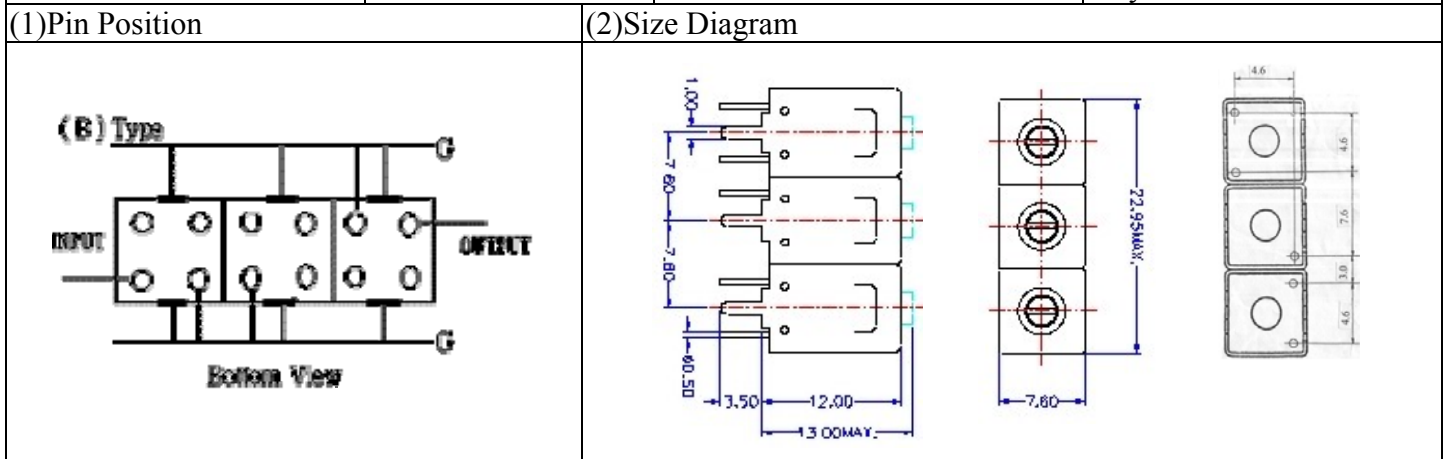


# VHF UHF Helical Filter Specification Sheet

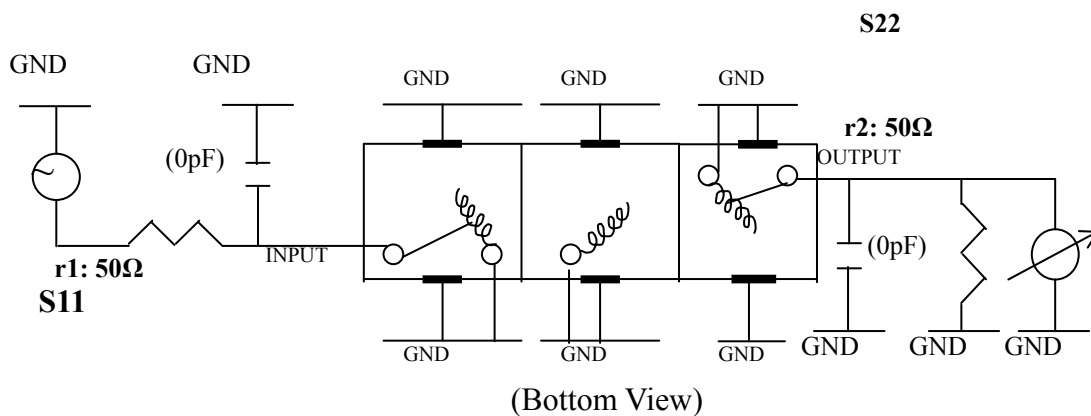
Customer Name		Temwell's Part No.	TT67863B-1025M
Approval No. /dated	0605049DC	Acceptable Specify Fo Range	1001~1100 MHZ
Work Instruction No.	0605049DC	Date	May.18.2006



(3) Electric Character		Specify	Performance
Center Freq.(Fo ) +/- 0.5 %		1025 MHz	1025 MHz
Tunable Range		1025±5 MHz	1025±5 MHz
Insertion Loss		Typ. 2.5 dB	1.02 dB
-3 dB Bandwidth		Typ. 120 MHz	131.5 MHz
Sensitivity (Attenuation)	Fo - 250 MHz	Typ. 51 dBc	54 dBc
	Fo + 250 MHz	Typ. 23 dBc	26 dBc
	Fo - ( )MHz	Typ. dBc	dBc
	Fo + ( )MHz	Typ. dBc	dBc
Return Loss		Min. 12 dB	23.1 dB
Ripple		< 1 dB	dB
Impedance		In / Out : 50 Ω	In / Out : 50 Ω
(4) Torque for Tuning Screw		> 100gf · cm	

(5) Temperature Condition:	
Operating Temperature	0°C ~ +60°C
Storage Temperature	-20°C ~ +70°C
(6) Input Power	> 1Watt

(7) Measuring Circuit: ※Easy to match Impedance S11/S22 50Ω/by parallel with about( 0 pF) / ( 0 pF).

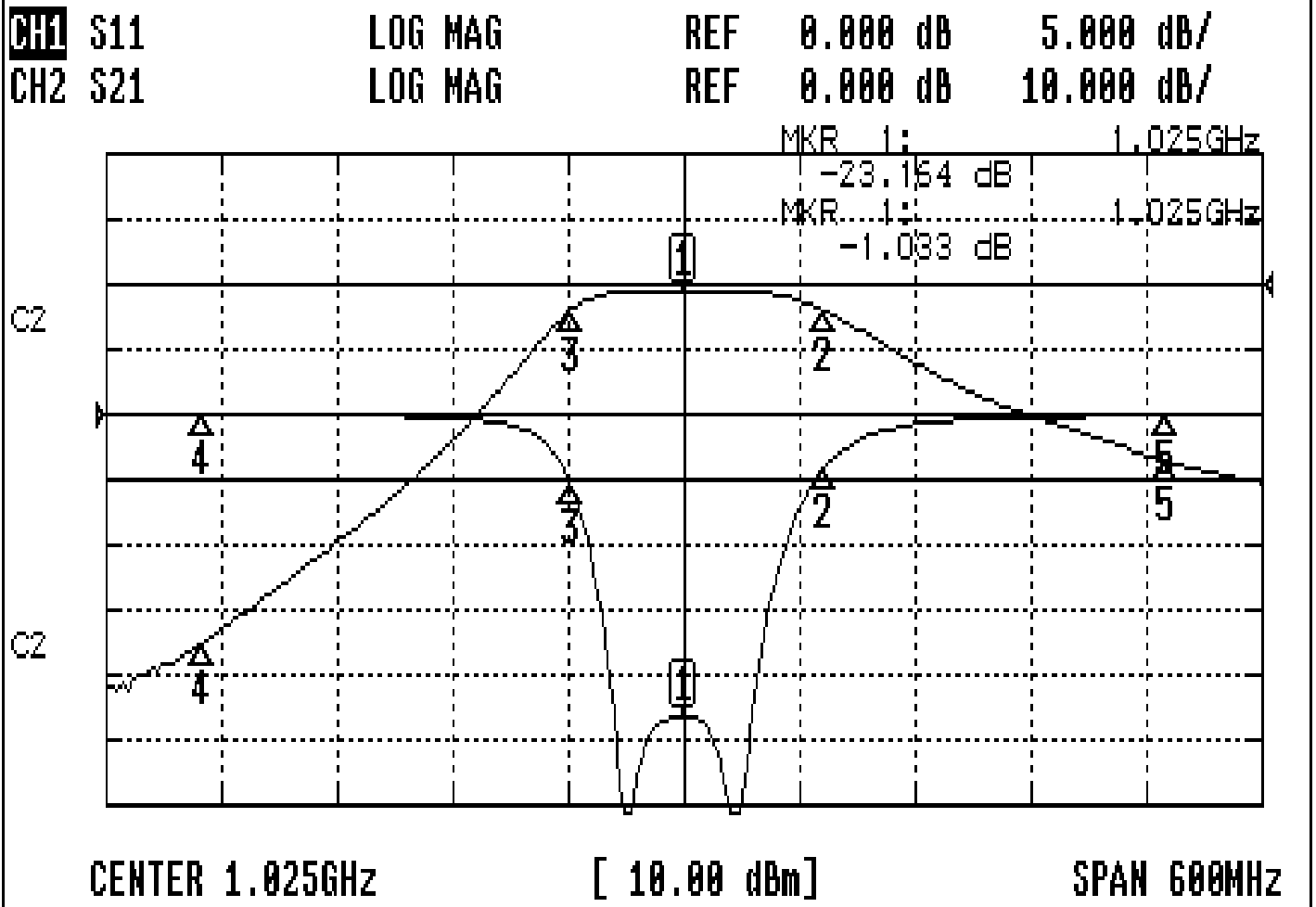


Approval	Supervisor	Designer	Aperture size
C.Y. Chang	C.S. Chang	W.W. Wang	7H3(4*7.5)(7.53)F 7H046RB6.5

TEMWELL CORPORATION

# Performance-TT67863B-1025M

## 0605049DC



### CH1 MARKER LIST

1:	1.025 000GHz	-23.164 dB
2:	1.098 000GHz	-4.040 dB
3:	966.500MHz	-5.287 dB
4:	775.000MHz	-0.030 dB
5:	1.275 000GHz	-0.102 dB

### CH2 MARKER LIST

1:	1.025 000GHz	-1.027 dB
2:	1.098 000GHz	-4.038 dB
3:	966.500MHz	-14.038 dB
4:	775.000MHz	-55.324 dB
5:	1.275 000GHz	-27.132 dB