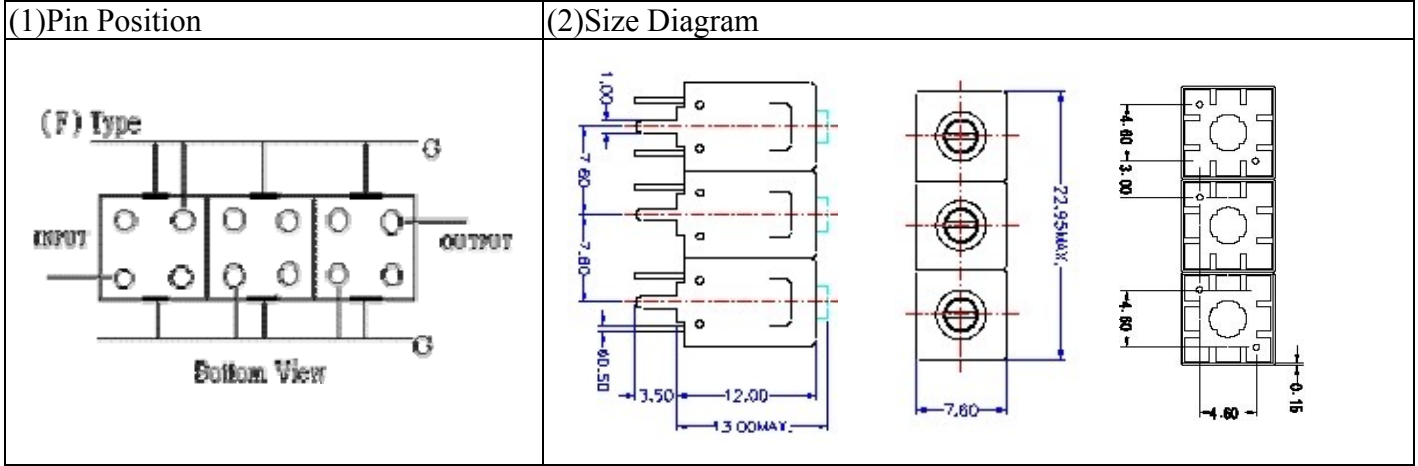


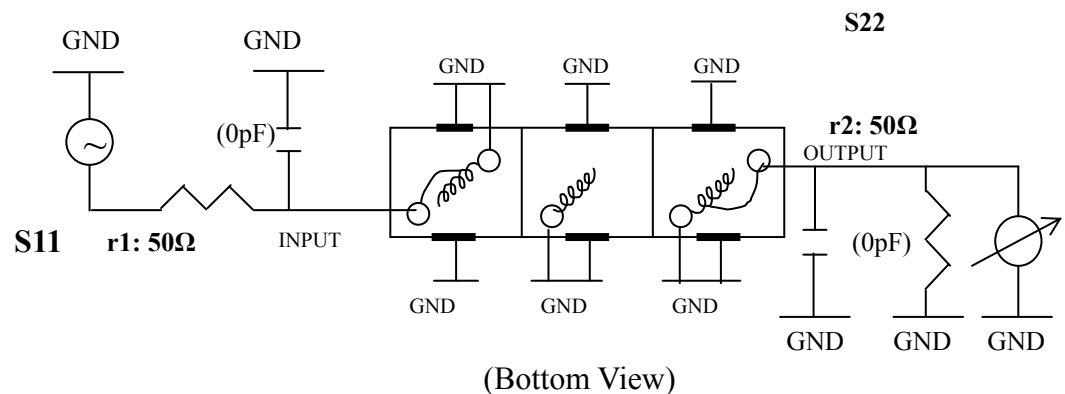
# VHF UHF Helical Filter Specification Sheet

Customer Name		Temwell's Part No.	TT67862F-966.5M
Approval No. /dated	200812073CD	Acceptable Specify Fo Range	951~975MHz
Work Instruction No.	200812073CD	Date	Dec.15.2008



(3) Electric Chararistic			
Item		Specify	Performance
Center Freq.(Fo) +/- 0.5 %		966.5 MHz	966.5 MHz
Tunable Range:		966.5±5 MHz	966.5±5 MHz
Insertion Loss		Typ. 2.0 dB	1.18 dB
-3 dB Bandwidth		Typ. 100 MHz	114.5 MHz
Sensitivity (Attenuation)	Fo - 200 MHz	Typ. 28 dBc	31 dBc
	Fo + 200 MHz	Typ. 30 dBc	33 dBc
	Fo - ( )MHz	Typ. dBc	dBc
	Fo + ( )MHz	Typ. dBc	dBc
Return Loss		Min. 12 dB	23.0 dB
Ripple		< 1 dB	dB
Impedance		In / Out : 50 Ω	In / Out : 50 Ω
(4) Torque for Tuning Screw			
		> 100gf · cm	
(5) Temperature Condition:			
Operating Temperature		0°C ~ +60°C	
Storage Temperature		-20°C ~ +70°C	
(6) Input Power			
		> 1 Watt	

(7) Measuring Circuit: ※Easy to match Impedance S11/S22 50Ω by parallel with about( 0pF) / (0pF).

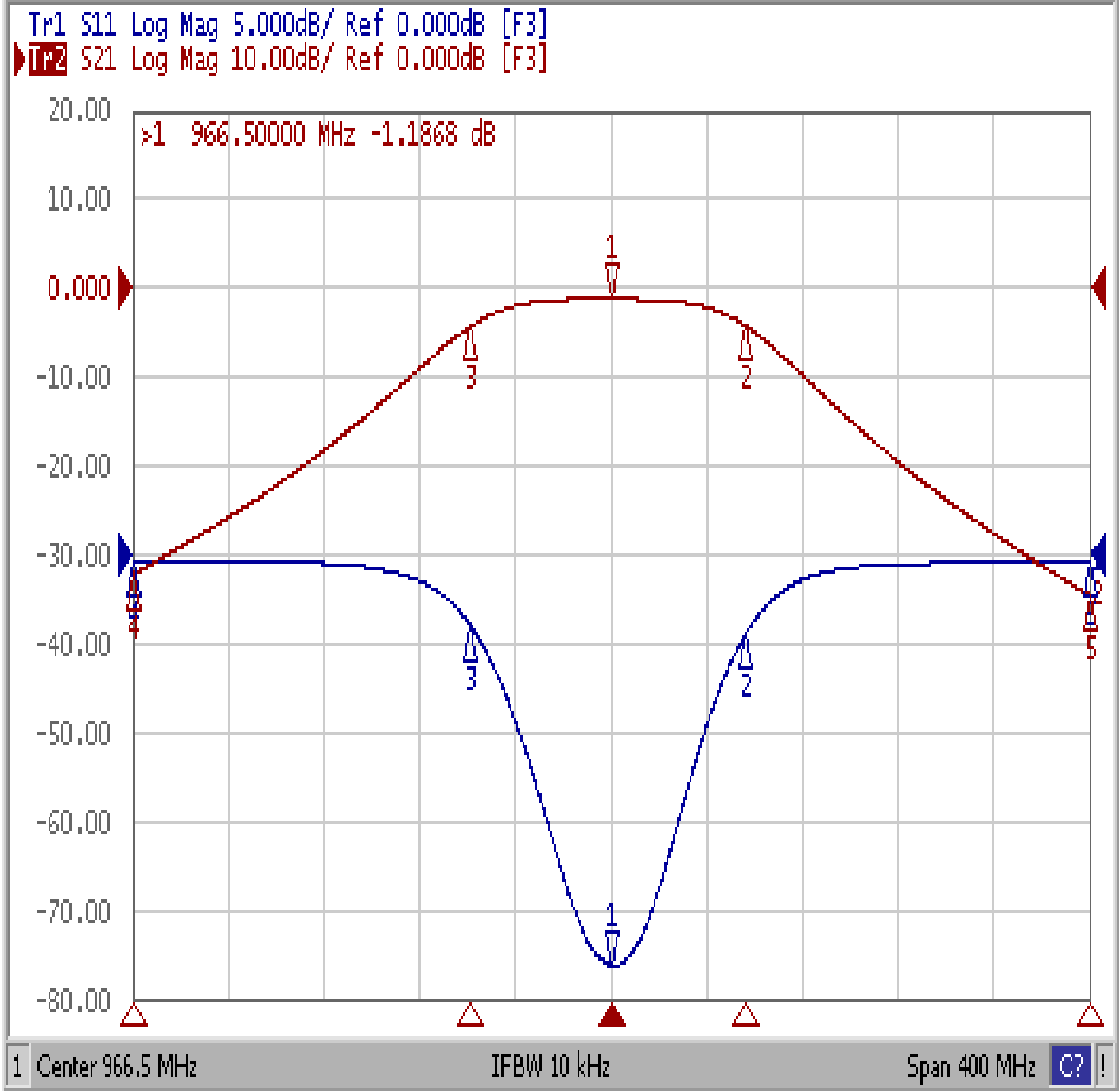


Approval	Supervisor	Designer	Aperture size
C.Y.Chang	C.S.Chang	C.S.Chang	7H3S(4*5.5F) 7H046RB6.5

TEMWELL CORPORATION

# Performance-TT67862F-966.5M

## 200812073CD



Ch1	Tr1	S11	1	966.50000 MHz	-23.076 dB
Ch1	Tr1	S11	2	1.0225350 GHz	-4.4971 dB
Ch1	Tr1	S11	3	908.06350 MHz	-4.0357 dB
Ch1	Tr1	S11	4	766.50000 MHz	-0.3077 dB
Ch1	Tr1	S11	5	1.1665000 GHz	-0.3421 dB
Ch1	Tr2	S21	>1	966.50000 MHz	-1.1868 dB
Ch1	Tr2	S21	2	1.0225350 GHz	-4.1838 dB
Ch1	Tr2	S21	3	908.06350 MHz	-4.2471 dB
Ch1	Tr2	S21	4	766.50000 MHz	-32.245 dB
Ch1	Tr2	S21	5	1.1665000 GHz	-34.570 dB