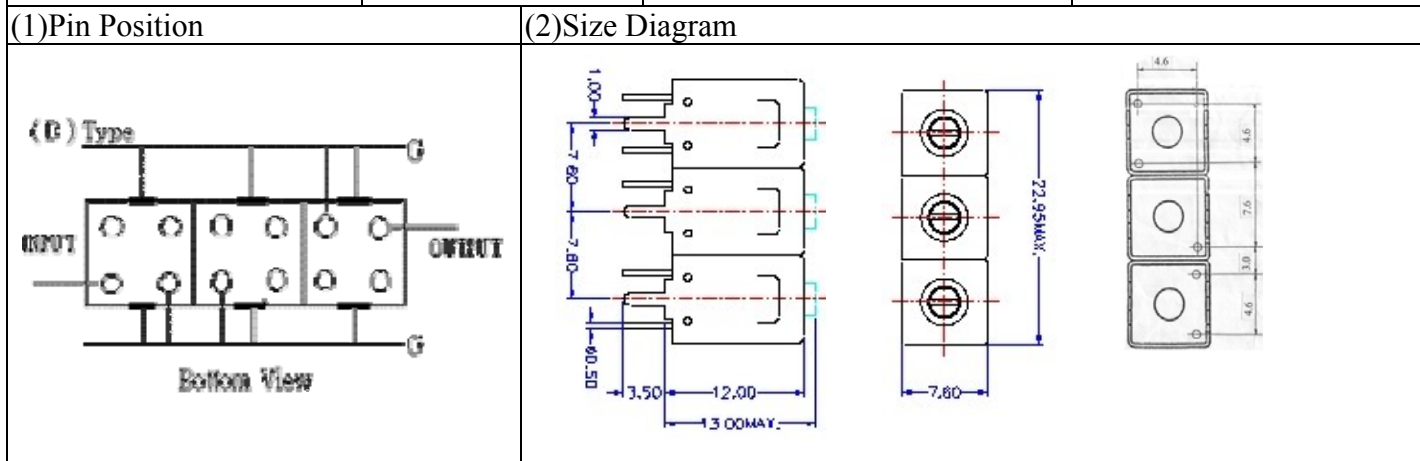


VHF UHF Helical Filter Specification Sheet

Customer Name		Temwell's Part No.	TT67857B-805M
Approval No. /dated	0511046DB	Acceptable Specify Fo Range	801~830MHz
Work Instruction No.	0511046DB	Date	Dec.08.2005



(3) Electric Character

Item	Specify	Performance	
Center Freq. (Fo) +/- 0.5 %	805 MHz	805 MHz	
Tunable Range	805±5 MHz	805±5 MHz	
Insertion Loss	Typ. 2.0 dB	0.77 dB	
-3 dB Bandwidth	Typ. 140 MHz	147.6 MHz	
Sensitivity (Attenuation)	Fo - 200 MHz	Typ. 40 dBc	43 dBc
	Fo + 200 MHz	Typ. 17 dBc	21 dBc
	Fo - ()MHz	Typ. dBc	dBc
	Fo + ()MHz	Typ. dBc	dBc
Return Loss	Min. 12 dB	32.6 dB	
Ripple	< 1 dB	dB	
Impedance	In / Out : 50 Ω	In / Out : 50 Ω	

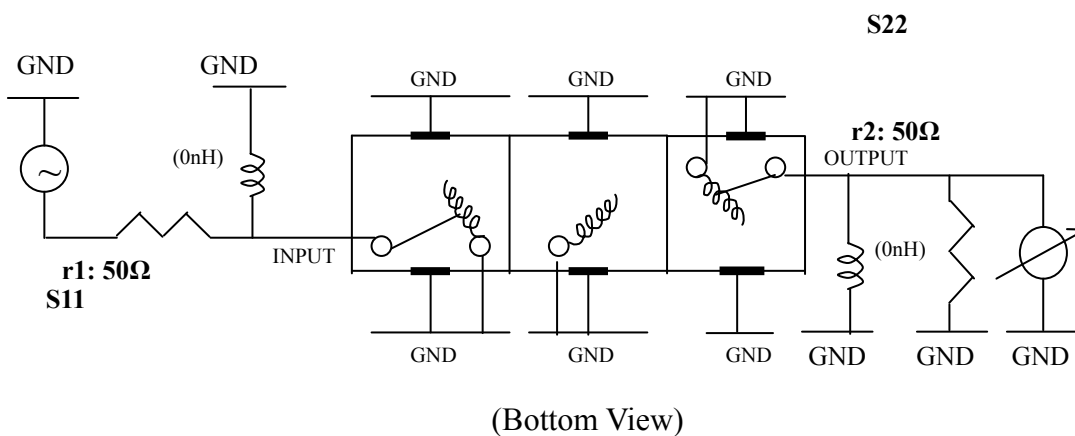
(4) Torque for Tuning Screw > 100gf · cm

(5) Temperature Condition:

Operating Temperature	0°C ~ +60°C
Storage Temperature	-20°C ~ +70°C

(6) Input Power > 1Watt

(7) Measuring Circuit: ※Easy to match Impedance S11/S22 50Ω by parallel with about(0nH) / (0nH).



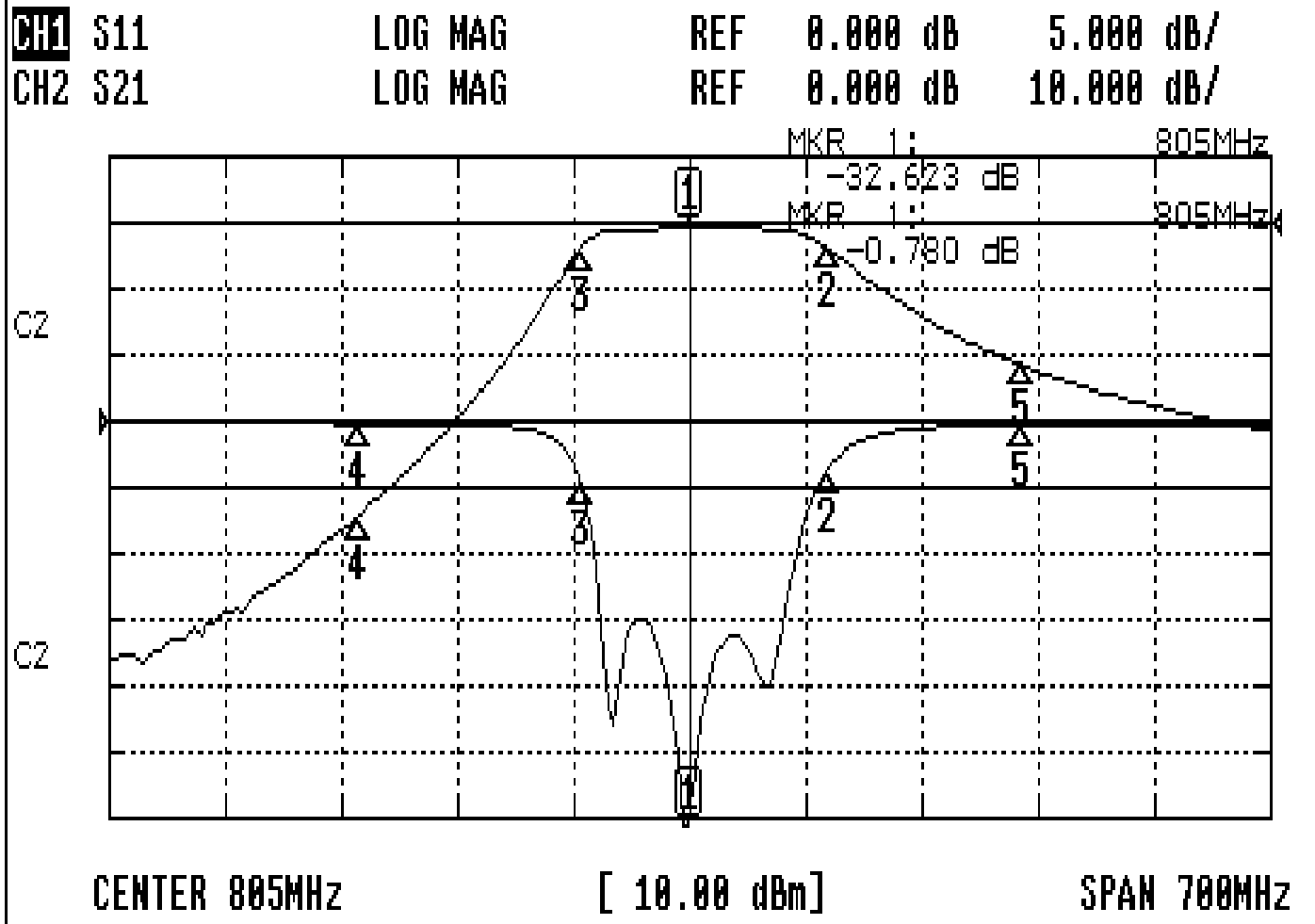
Approval	Supervisor	Designer	Aperture size
C.Y. Chang	C.S. Chang	P.H. Chiang	7H3(4*8.0)(8.01) 7H046RB6.5

TEMWELL CORPORATION

TEMWELL RP(P.H)

Performance-TT67857B-805M

0511046DB



CH1 MARKER LIST

1:	805.000MHz	-32.623	dB
2:	887.250MHz	-3.883	dB
3:	739.666MHz	-4.733	dB
4:	605.000MHz	-0.165	dB
5:	1.005000GHz	-0.286	dB

CH2 MARKER LIST

1:	805.000MHz	-0.777	dB
2:	887.250MHz	-3.749	dB
3:	739.666MHz	-3.667	dB
4:	605.000MHz	-44.306	dB
5:	1.005000GHz	-21.484	dB