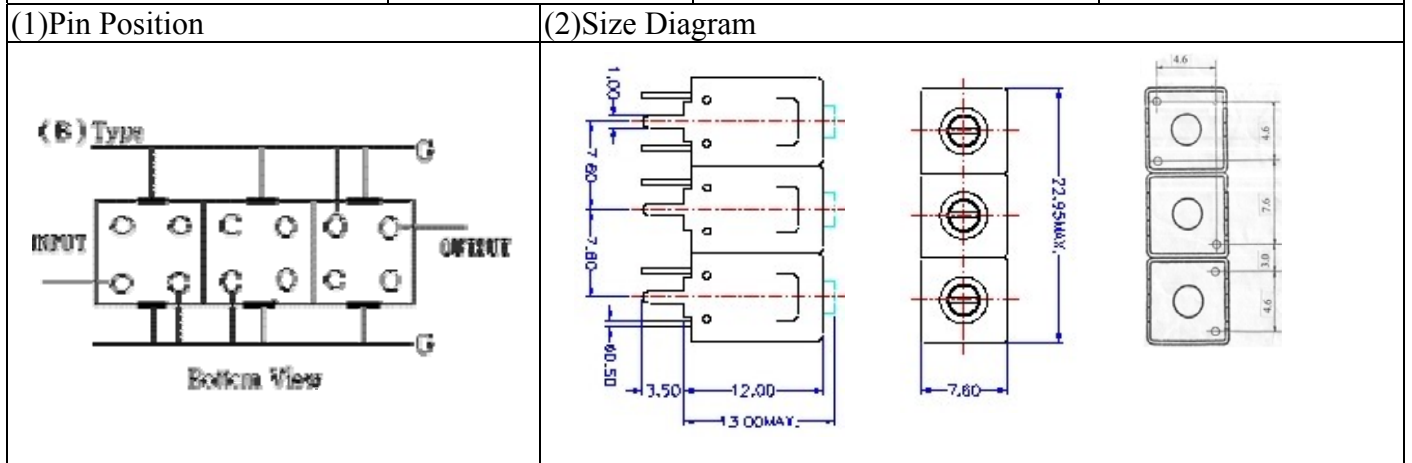


VHF UHF Helical Filter Specification Sheet

Customer Name		Temwell's Part No.	TT67855B-480M
Approval No. /dated	0710053C	Acceptable Specify Fo Range	456-515 MHz
Work Instruction No.	0710053C	Date	Oct.30.2007



(3) Electric Character

Item	Specify	Performance	
Center Freq.(Fo) +/- 0.5 %	480 MHz	480 MHz	
Tunable Range	480±3 MHz	480±3 MHz	
Insertion Loss	Typ. 2.0 dB	0.72 dB	
-3 dB Bandwidth	Typ. 80 MHz	82.6 MHz	
Sensitivity (Attenuation)	Fo - 150 MHz	Typ. 46 dBc	49 dBc
	Fo + 150 MHz	Typ. 26 dBc	29 dBc
	Fo - ()MHz	Typ. dBc	dBc
	Fo +()MHz	Typ. dBc	dBc
Return Loss	Min. 12 dB	21.7 dB	
Ripple	< 1 dB	dB	
Impedance	In / Out : 50 Ω	In / Out : 50 Ω	

(4) Torque for Tuning Screw

> 100gf · cm

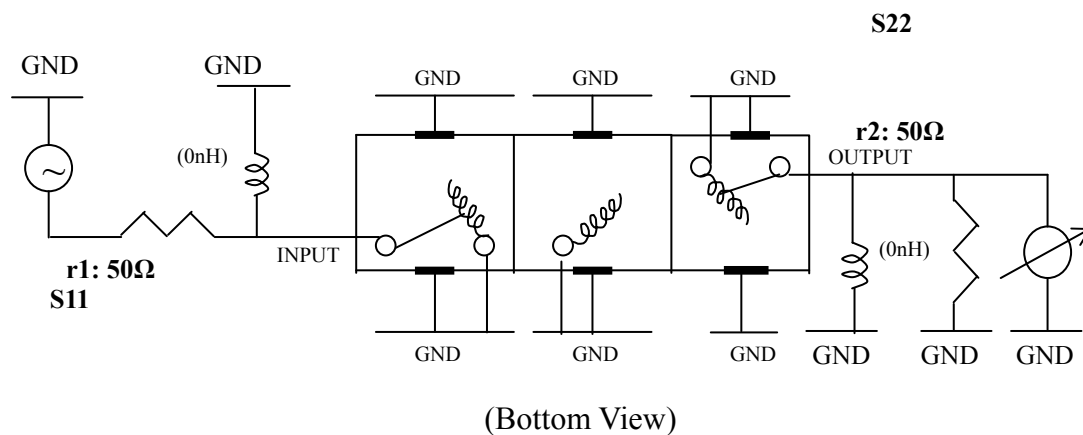
(5) Temperature Condition:

Operating Temperature	0°C ~ +60°C
Storage Temperature	-20°C ~ +70°C

(6) Input Power

> 1 Watt

(7) Measuring Circuit: ※Easy to match Impedance S11/S22 50Ω by parallel with about(0nH) / (0nH).



Approval	Supervisor	Designer	Aperture size
C.Y.Chang	C.S.Chang	C.S.Chang	7H3(4*8.0F) 7H046LB5.5

TEMWELL CORPORATION

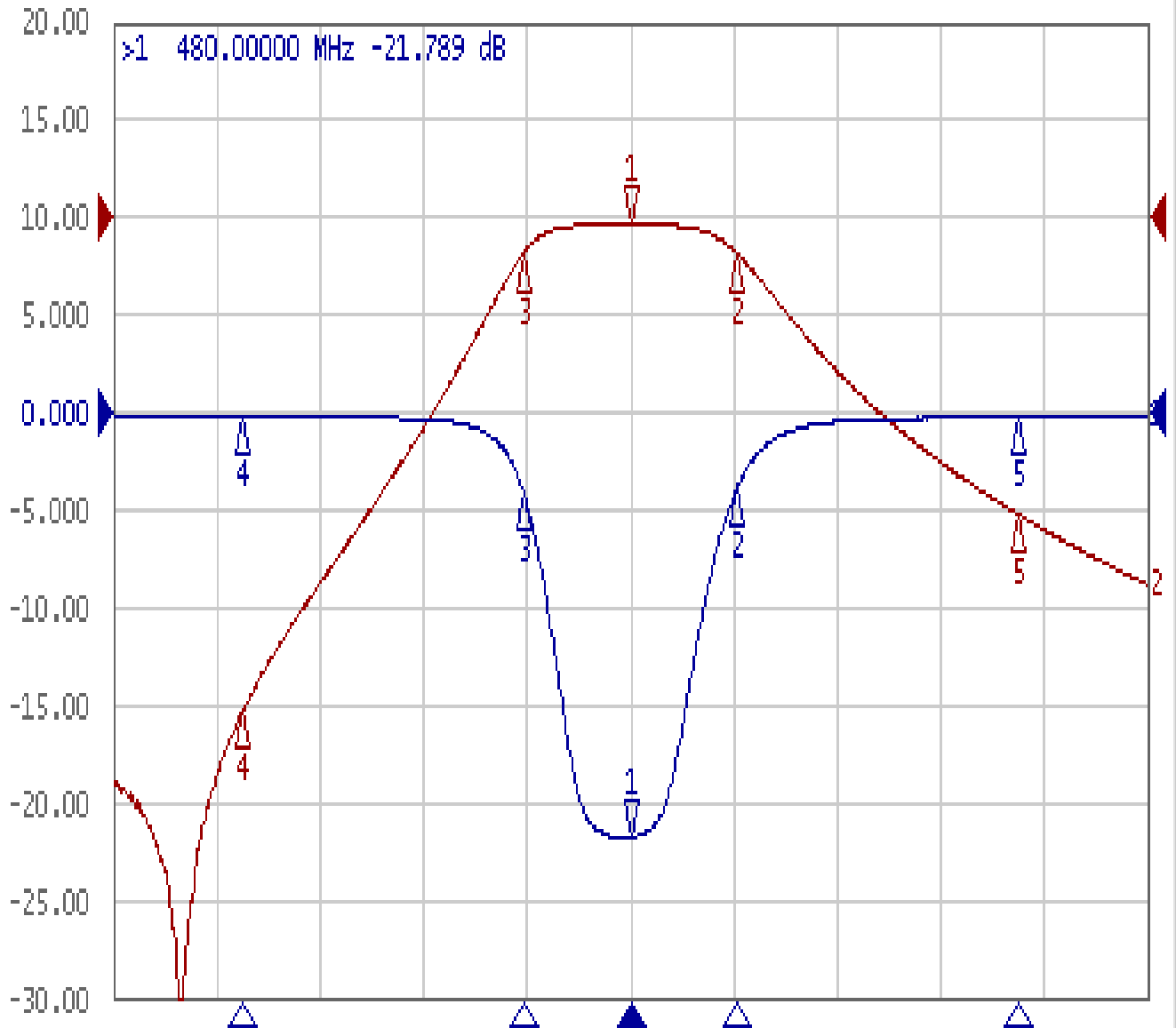
TEMWELL

Form RP:C.S.Chang

Performance-TT67855B-480M

0710053C

▶ Tr1 S11 Log Mag 5.000dB/ Ref 0.000dB [F2]
Tr2 S21 Log Mag 10.000dB/ Ref 0.000dB [F2]



1 Center 480 MHz

IFBW 10 kHz

Span 400 MHz

Cor !

Ch1	Tr1	S11	>1	480.00000	MHz	-21.789	dB
Ch1	Tr1	S11	2	521.10100	MHz	-3.8613	dB
Ch1	Tr1	S11	3	438.59800	MHz	-4.0638	dB
Ch1	Tr1	S11	4	330.00000	MHz	-0.1584	dB
Ch1	Tr1	S11	5	630.00000	MHz	-0.2533	dB
Ch1	Tr2	S21	1	480.00000	MHz	-0.7265	dB
Ch1	Tr2	S21	2	521.10100	MHz	-3.6438	dB
Ch1	Tr2	S21	3	438.59800	MHz	-3.6253	dB
Ch1	Tr2	S21	4	330.00000	MHz	-50.554	dB
Ch1	Tr2	S21	5	630.00000	MHz	-30.431	dB