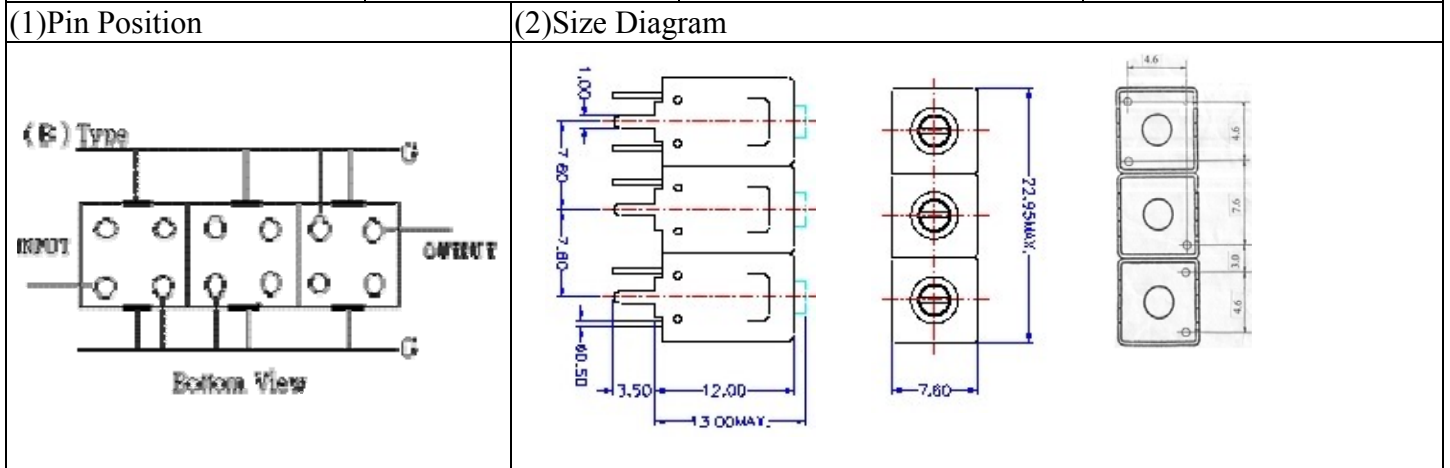


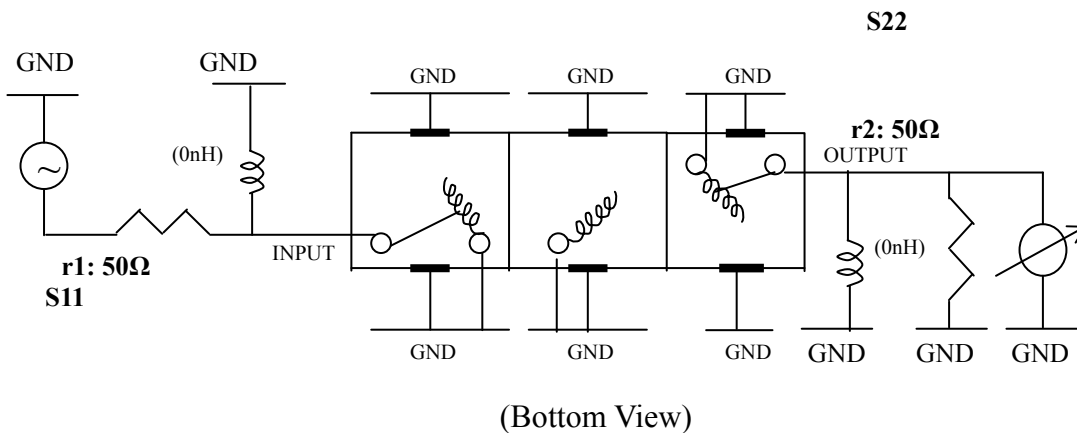
VHF UHF Helical Filter Specification Sheet

Customer Name		Temwell's Part No.	TT67853B-240M
Approval No. /dated	0511002APR	Acceptable Specify Fo Range	221-245 MHz
Work Instruction No.	0511002DC	Date	Nov.10.2005



(3) Electric Character			
Item	Specify		Performance
Center Freq.(Fo) +/- 0.5 %	240	MHz	240 MHz
Insertion Loss	Typ. 2.0	dB	0.60 dB
-3 dB Bandwidth	Typ. 60	MHz	66.5 MHz
Sensitivity (Attenuation)	Fo - 100 MHz	Typ. 55 dBc	66 dBc
	Fo + 100 MHz	Typ. 27 dBc	30 dBc
	Fo - ()MHz	Typ. dBc	dBc
	Fo + ()MHz	Typ. dBc	dBc
Return Loss	Min. 12	dB	29.0 dB
Ripple	< 1	dB	dB
Impedance	In / Out : 50 Ω		In / Out : 50 Ω
(4) Torque for Tuning Screw > 100gf · cm			
(5) Temperature Condition:			
Operating Temperature	0°C ~ +60°C		
Storage Temperature	-20°C ~ +70°C		
(6) Input Power > 1Watt			

(7) Measuring Circuit: ※Easy to match Impedance S11/S22 50Ω by parallel with about(0nH) / (0nH).



Approval	Supervisor	Designer	Aperture size
C.Y. Chang	C.S. Chang	C.S. Chang	7H3S(4*8.0)(4*7.98) 7H046RB6.5

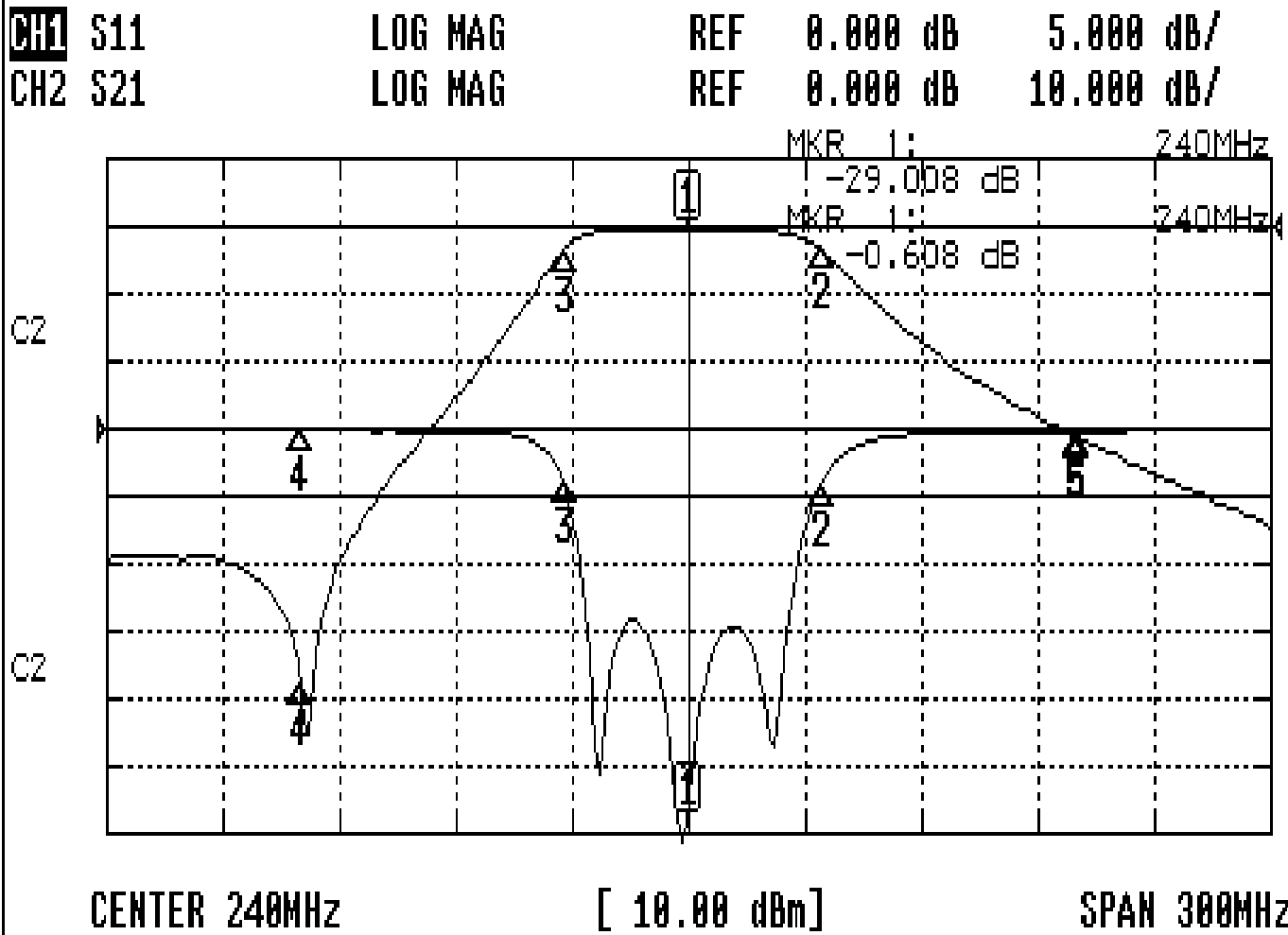
TEMWELL CORPORATION

TEMWELL

Form RP: C.S. Chang

Performance-TT67853B-240M

0511002DC



CH1 MARKER LIST

1	240.000MHz	-29.008	dB
2	274.250MHz	-4.040	dB
3	207.750MHz	-3.978	dB
4	140.000MHz	-0.118	dB
5	340.000MHz	-0.160	dB

CH2 MARKER LIST

1	240.000MHz	-0.605	dB
2	274.250MHz	-13.644	dB
3	207.750MHz	-13.646	dB
4	140.000MHz	-66.915	dB
5	340.000MHz	-31.206	dB