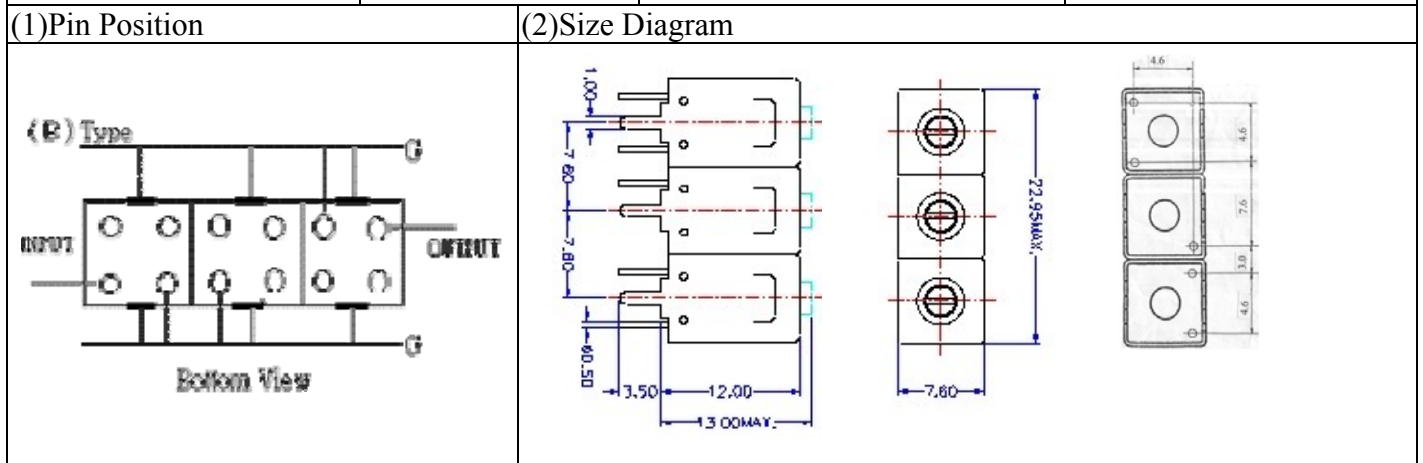
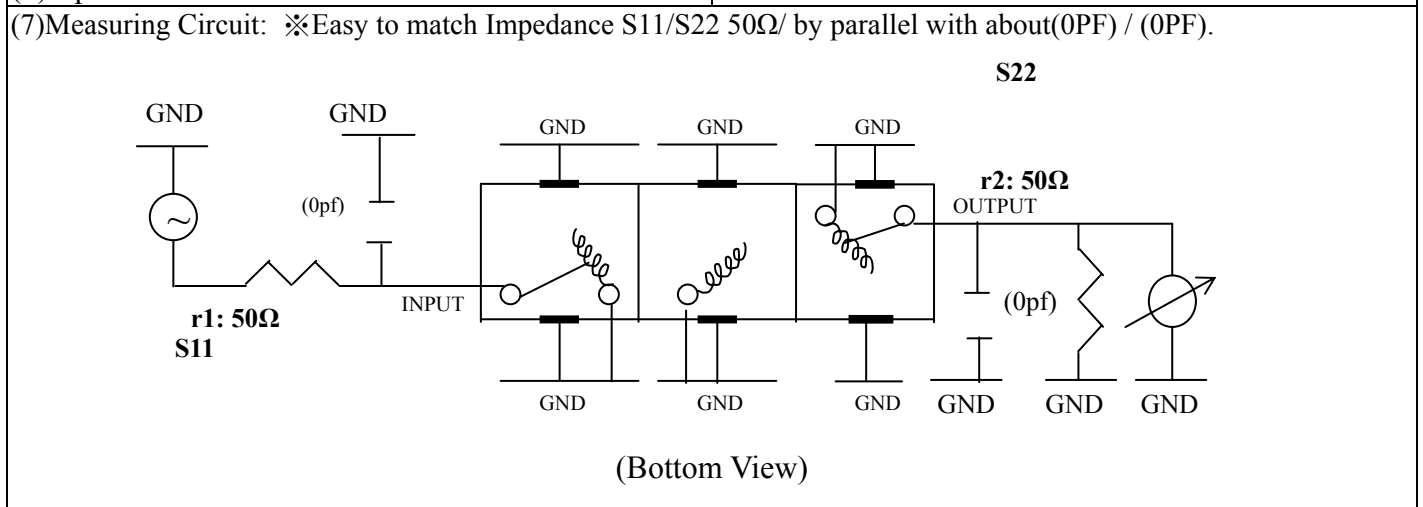


VHF UHF Helical Filter Specification Sheet

Customer Name		Temwell's Part No.	TT67846B-725M
Approval No. /dated	0510138DC	Acceptable Specify Fo Range	701~750MHz
Work Instruction No.	0510138DC	Date	Oct.10.2005



(3) Electric Character			
Item	Specify	Performance	
Center Freq.(Fo) +/- 0.5 %	725 MHz	725 MHz	
Tunable Range	725±5 MHz	725±5 MHz	
Insertion Loss	Typ. 3.5 dB	2.5 dB	
-3 dB Bandwidth	Typ. 20 MHz	24.4 MHz	
Sensitivity (Attenuation)	Fo - 50 MHz	Typ. 38 dBc	41 dBc
	Fo + 50 MHz	Typ. 27 dBc	30 dBc
	Fo - ()MHz	Typ. dBc	dBc
	Fo +()MHz	Typ. dBc	dBc
Return Loss	Min. 12 dB	26.4 dB	
Ripple	< 1 dB	dB	
Impedance	In / Out : 50 Ω	In / Out : 50 Ω	
(4) Torque for Tuning Screw	> 100gf · cm		
(5) Temperature Condition:			
Operating Temperature	0°C ~ +60°C		
Storage Temperature	-20°C ~ +70°C		
(6) Input Power	> 1Watt		

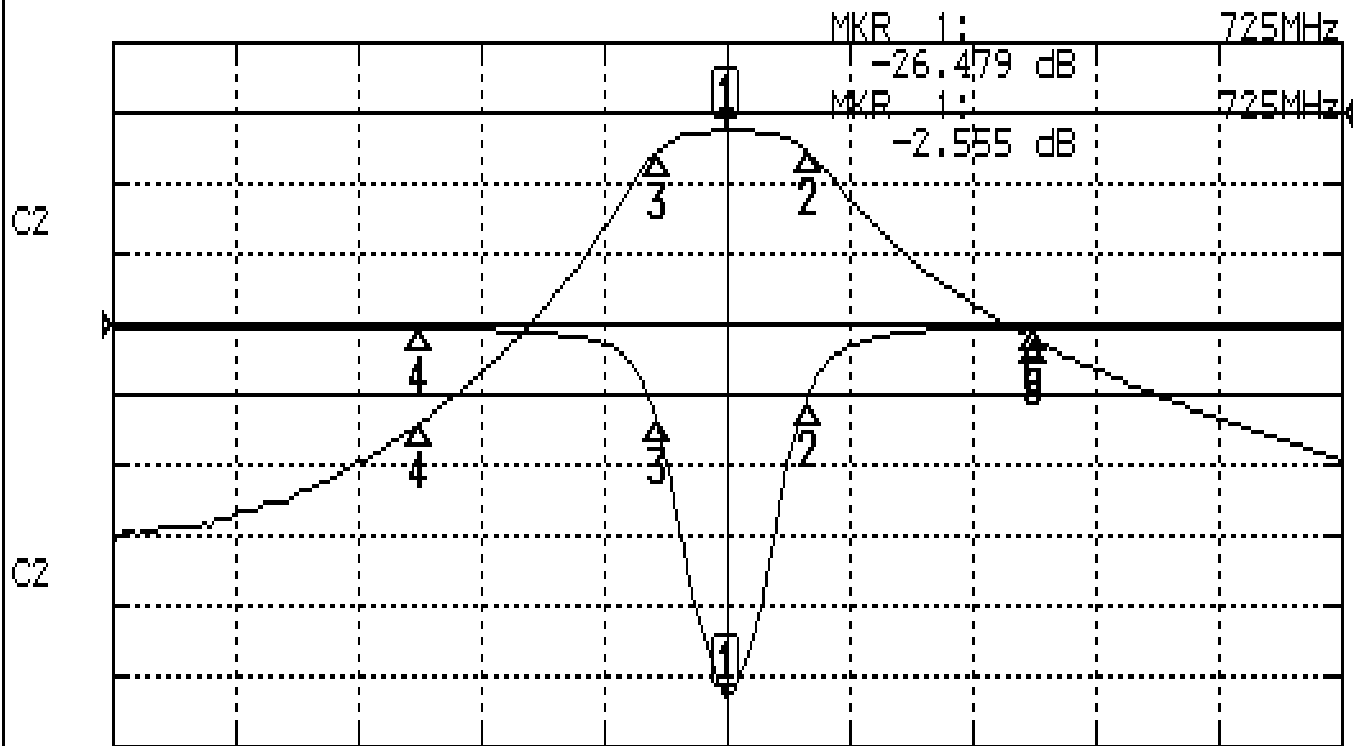


Approval	Supervisor	Designer	Aperture size
C.Y. Chang	C.S. Chang	P.H. Chiang	7H3(4*5.5)(5.60) 7H046RB4
TEMWELL CORPORATION			

Performance-TT67846B-725M

0510138DC

CH1 S11 LOG MAG REF 0.000 dB 5.000 dB/
CH2 S21 LOG MAG REF 0.000 dB 10.000 dB/



CENTER 725MHz

[10.00 dBm]

SPAN 200MHz

CH1 MARKER LIST

Marker	Frequency (MHz)	Magnitude (dB)
1	725.000	-26.468
2	738.000	-5.461
3	713.666	-6.831
4	675.000	-0.317
5	775.000	-0.232

CH2 MARKER LIST

Marker	Frequency (MHz)	Magnitude (dB)
1	725.000	-2.555
2	738.000	-5.507
3	713.666	-5.445
4	675.000	-4.962
5	775.000	-32.246