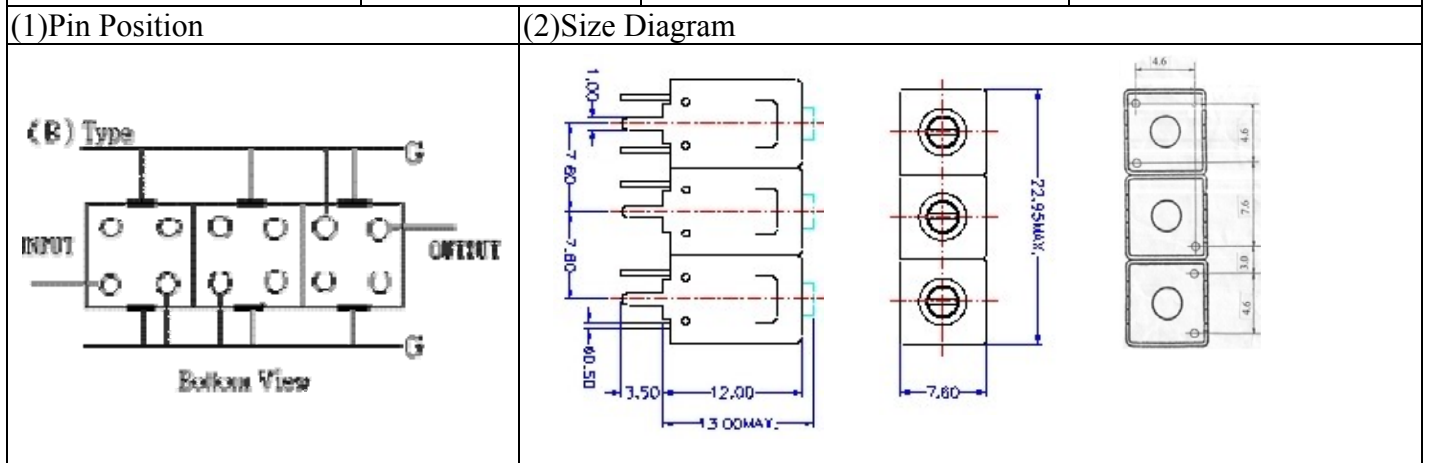


VHF UHF Helical Filter Specification Sheet

Customer Name		Temwell's Part No.	TT67845B-675M
Approval No. /dated	0510137DC	Acceptable Specify Fo Range	661~700MHz
Work Instruction No.	0510137DC	Date	Oct.10.2005



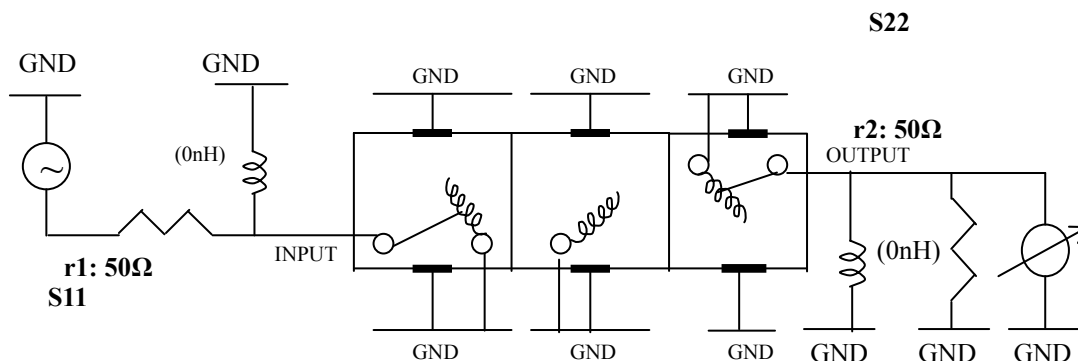
(3) Electric Character			
Item	Specify		Performance
Center Freq.(Fo) +/- 0.5 %	675	MHz	675 MHz
Tunable Range	675±5	MHz	675±5 MHz
Insertion Loss	Typ. 3.0	dB	1.9 dB
-3 dB Bandwidth	Typ. 20	MHz	23.4 MHz
Sensitivity (Attenuation)	Fo - 50 MHz	Typ. 36 dBc	39 dBc
	Fo + 50 MHz	Typ. 24 dBc	27 dBc
	Fo - ()MHz	Typ. dBc	dBc
	Fo +()MHz	Typ. dBc	dBc
Return Loss	Min. 12	dB	26.2 dB
Ripple	< 1	dB	dB
Impedance	In / Out : 50 Ω		In / Out : 50 Ω

(4) Torque for Tuning Screw > 100gf · cm

(5) Temperature Condition:	
Operating Temperature	0°C ~ +60°C
Storage Temperature	-20°C ~ +70°C

(6) Input Power > 1 Watt

(7) Measuring Circuit: ※Easy to match Impedance S11/S22 50Ω/ by parallel with about(0nH) / (0nH).



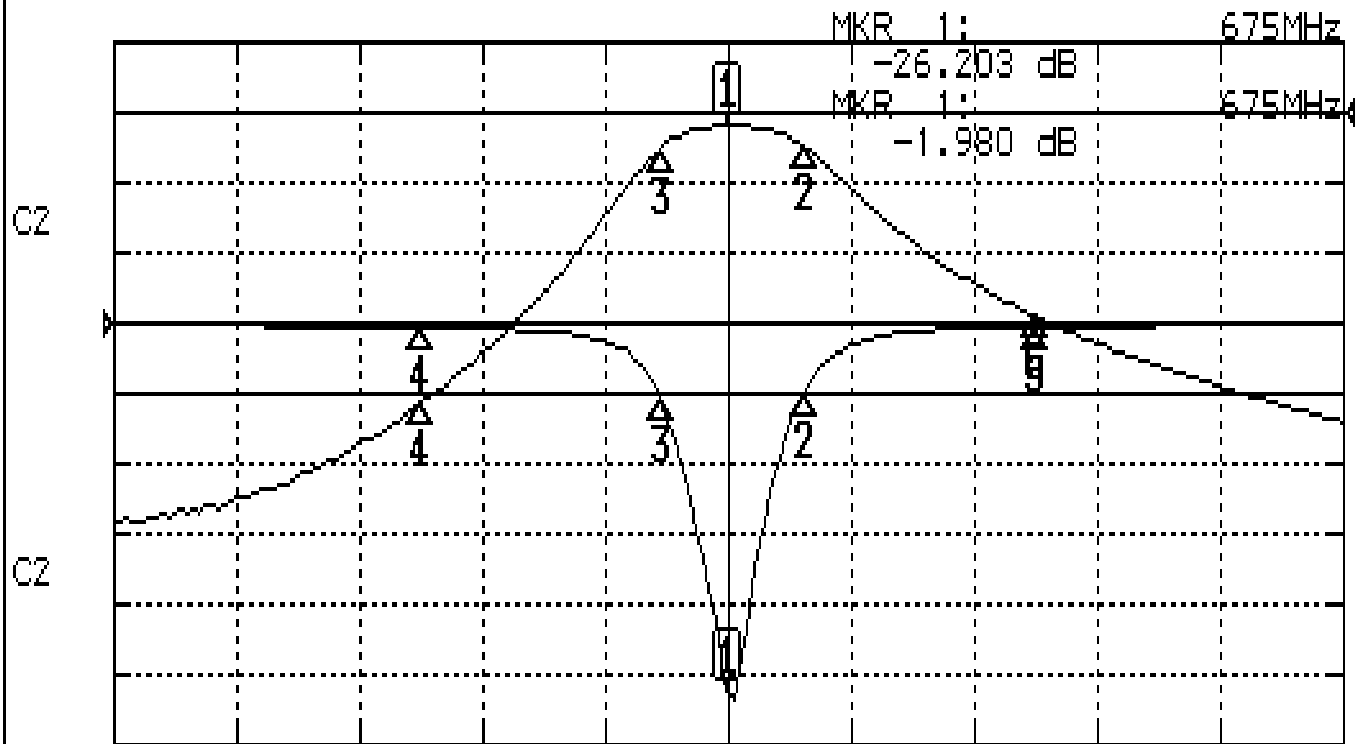
(Bottom View)

Approval	Supervisor	Designer	Aperture size
C.Y. Chang	C.S. Chang	P.H. Chiang	7H3(4*5.5)(5.58) 7H046RB4
TEMWELL		CORPORATION	

Performance-TT67845B-675M

0510137DC

CH1 S11 LOG MAG REF 0.000 dB 5.000 dB/
CH2 S21 LOG MAG REF 0.000 dB 10.000 dB/



CENTER 675MHz

[10.00 dBm]

SPAN 200MHz

CH1 MARKER LIST

Marker	Frequency (MHz)	Magnitude (dB)
1	675.000	-26.212
2	687.500	-4.833
3	664.166	-5.490
4	625.000	-0.266
5	725.000	-0.219

CH2 MARKER LIST

Marker	Frequency (MHz)	Magnitude (dB)
1	675.000	-1.979
2	687.500	-4.960
3	664.166	-4.965
4	625.000	-41.351
5	725.000	-28.996