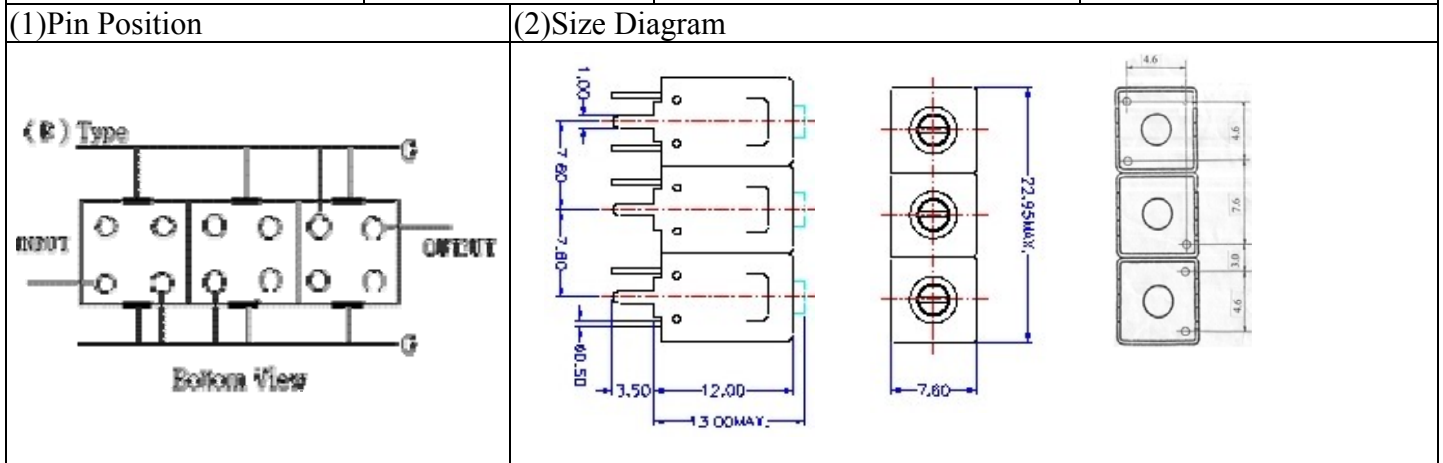


VHF UHF Helical Filter Specification Sheet

Customer Name		Temwell's Part No.	TT67843B-585M
Approval No. /dated	0510135DC	Acceptable Specify Fo Range	556~595M
Work Instruction No.	0510135DC	Date	Nov.21.2005

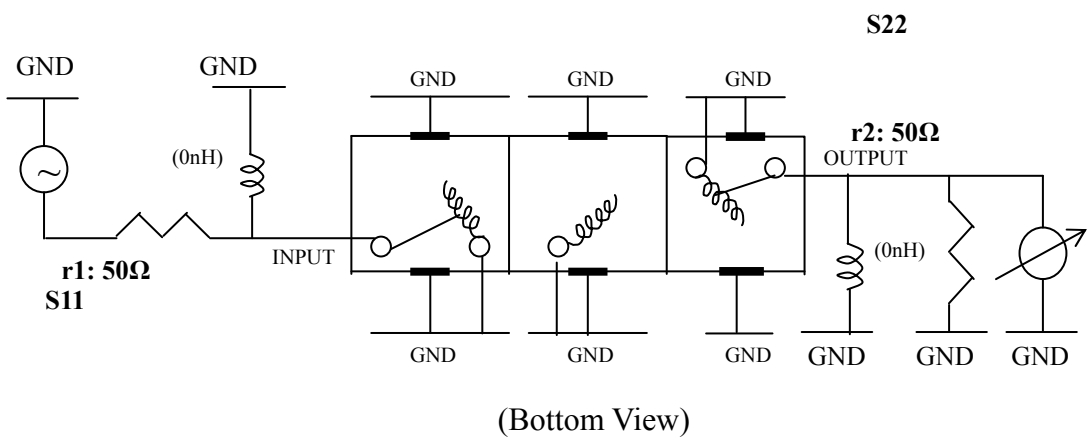


(3) Electric Character		Item	Specify	Performance
Center Freq.(Fo) +/- 0.5 %			585 MHz	585 MHz
Tunable Range			585±5 MHz	585±5 MHz
Insertion Loss		Typ.	3.5 dB	2.3 dB
-3 dB Bandwidth		Typ.	15 MHz	20.3 MHz
Sensitivity (Attenuation)	Fo - 50 MHz	Typ.	43 dBc	46 dBc
	Fo + 50 MHz	Typ.	29 dBc	32 dBc
	Fo - ()MHz	Typ.	dBc	dBc
	Fo + ()MHz	Typ.	dBc	dBc
Return Loss		Min.	12 dB	27.2 dB
Ripple			< 1 dB	dB
Impedance			In / Out : 50 Ω	In / Out : 50 Ω
(4) Torque for Tuning Screw			> 100gf • cm	

(5) Temperature Condition:	
Operating Temperature	0°C ~ +60°C
Storage Temperature	-20°C ~ +70°C

(6) Input Power > 1Watt

(7) Measuring Circuit: ※Easy to match Impedance S11/S22 50Ω by parallel with about(0nH) / (0nH).



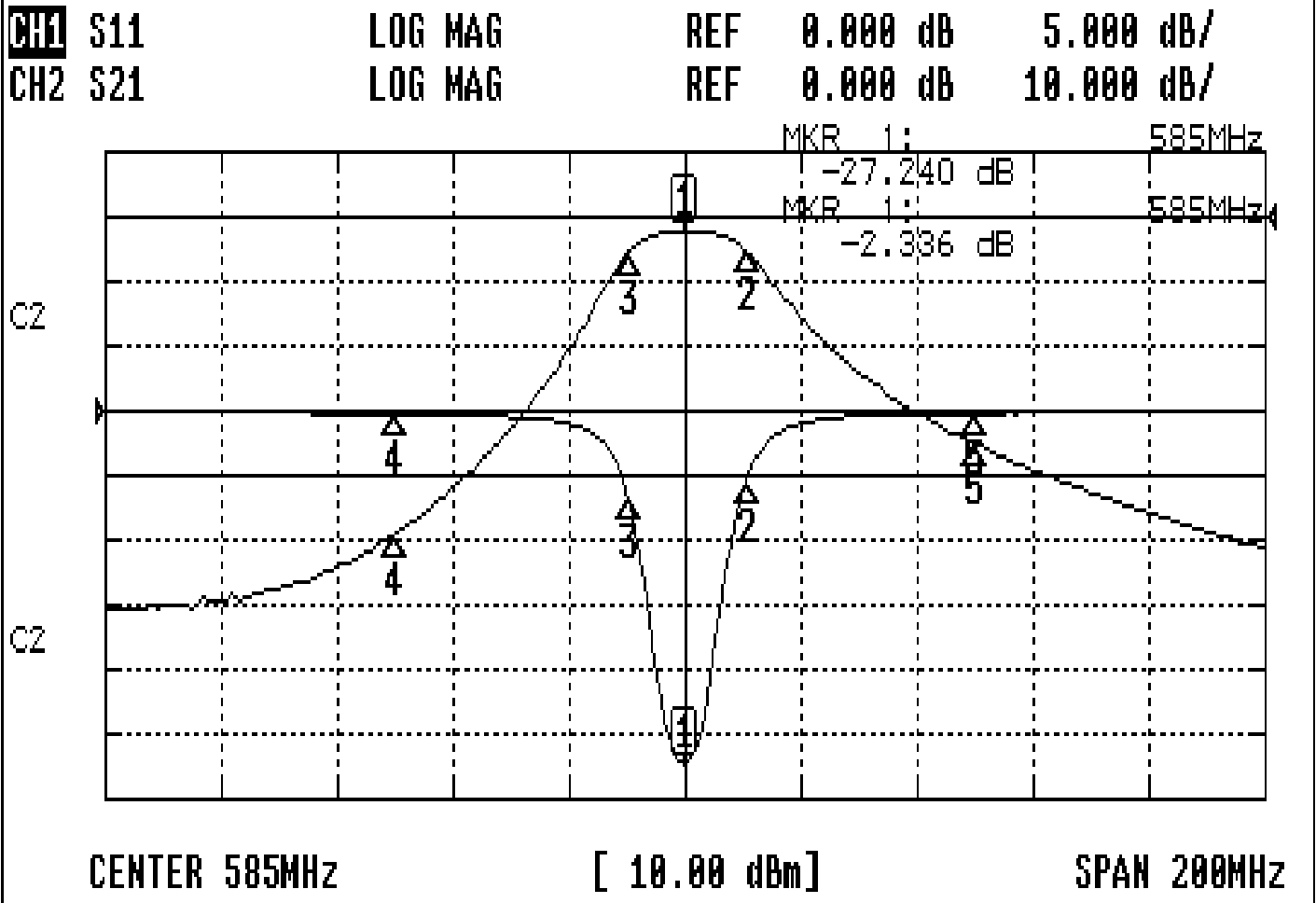
Approval	Supervisor	Designer	Aperture size
C.Y. Chang	C.S. Chang	P.H. Chiang	7H3(4*5.5)(5.56) 7H046RB4

TEMWELL CORPORATION

TEMWELL RP (P.H)

Performance-TT67843B-585M

0510135DC



CH1 MARKER LIST

1	585.000MHz	-27.240 dB
2	580.000MHz	-15.448 dB
3	585.000MHz	-10.815 dB
4	585.000MHz	-0.210 dB
5	590.000MHz	-0.166 dB

CH2 MARKER LIST

1	585.000MHz	-2.336 dB
2	580.000MHz	-1.116 dB
3	585.000MHz	-1.116 dB
4	585.000MHz	-35.161 dB