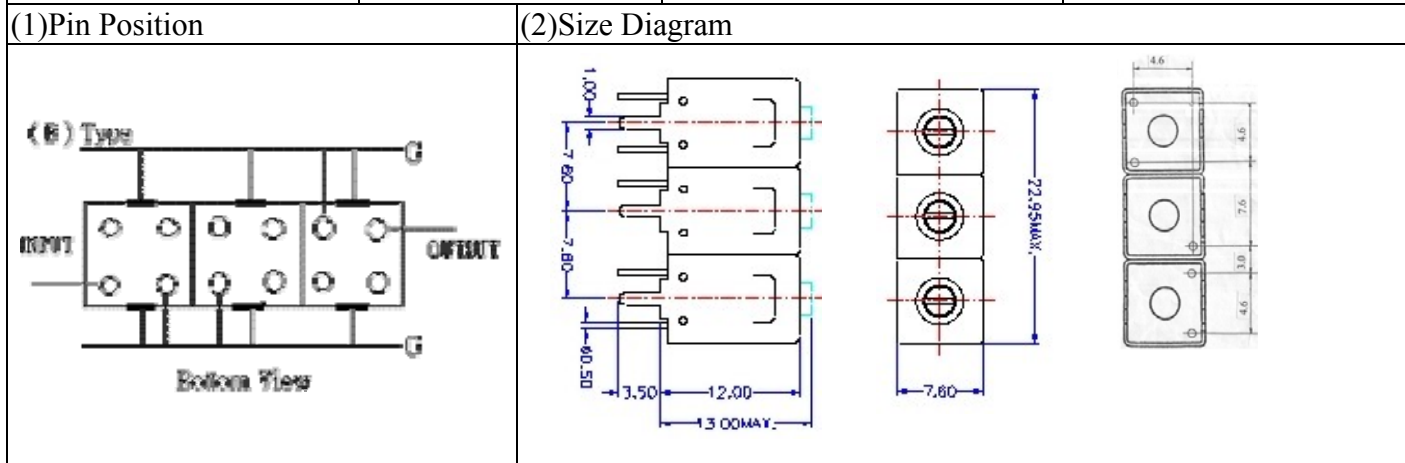


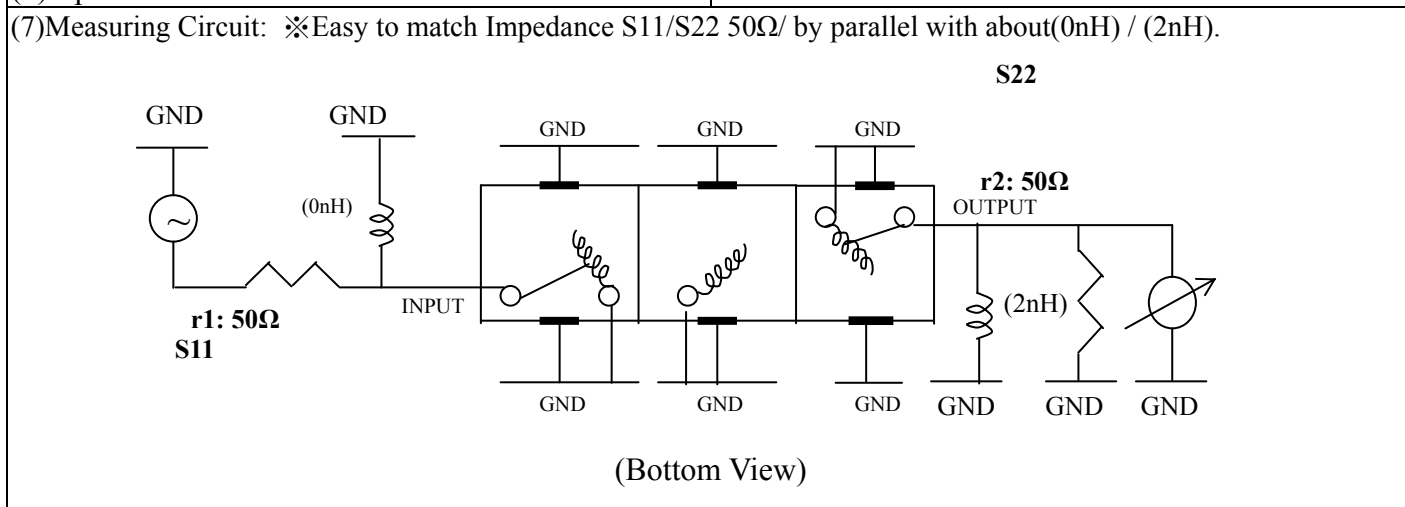
# VHF UHF Helical Filter Specification Sheet

Customer Name		Temwell's Part No.	TT67838B-675M
Approval No. /dated	0510130DC	Acceptable Specify Fo Range	661~700MHz
Work Instruction No.	0510130DC	Date	Oct.11.2005



(3) Electric Character			
Item	Specify		Performance
Center Freq.(Fo) +/- 0.5 %	675	MHz	675 MHz
Tunable Range	675±5	MHz	675±5 MHz
Insertion Loss	Typ. 4.5	dB	3.5 dB
-3 dB Bandwidth	Typ. 10	MHz	14.2 MHz
Sensitivity (Attenuation)	Fo - 50 MHz	Typ. 45 dBc	48 dBc
	Fo + 50 MHz	Typ. 35 dBc	38 dBc
	Fo - ( )MHz	Typ. dBc	dBc
	Fo +( )MHz	Typ. dBc	dBc
Return Loss	Min. 12	dB	32.4 dB
Ripple	< 1	dB	dB
Impedance	In / Out : 50 Ω		In / Out : 50 Ω
(4) Torque for Tuning Screw	> 100gf · cm		

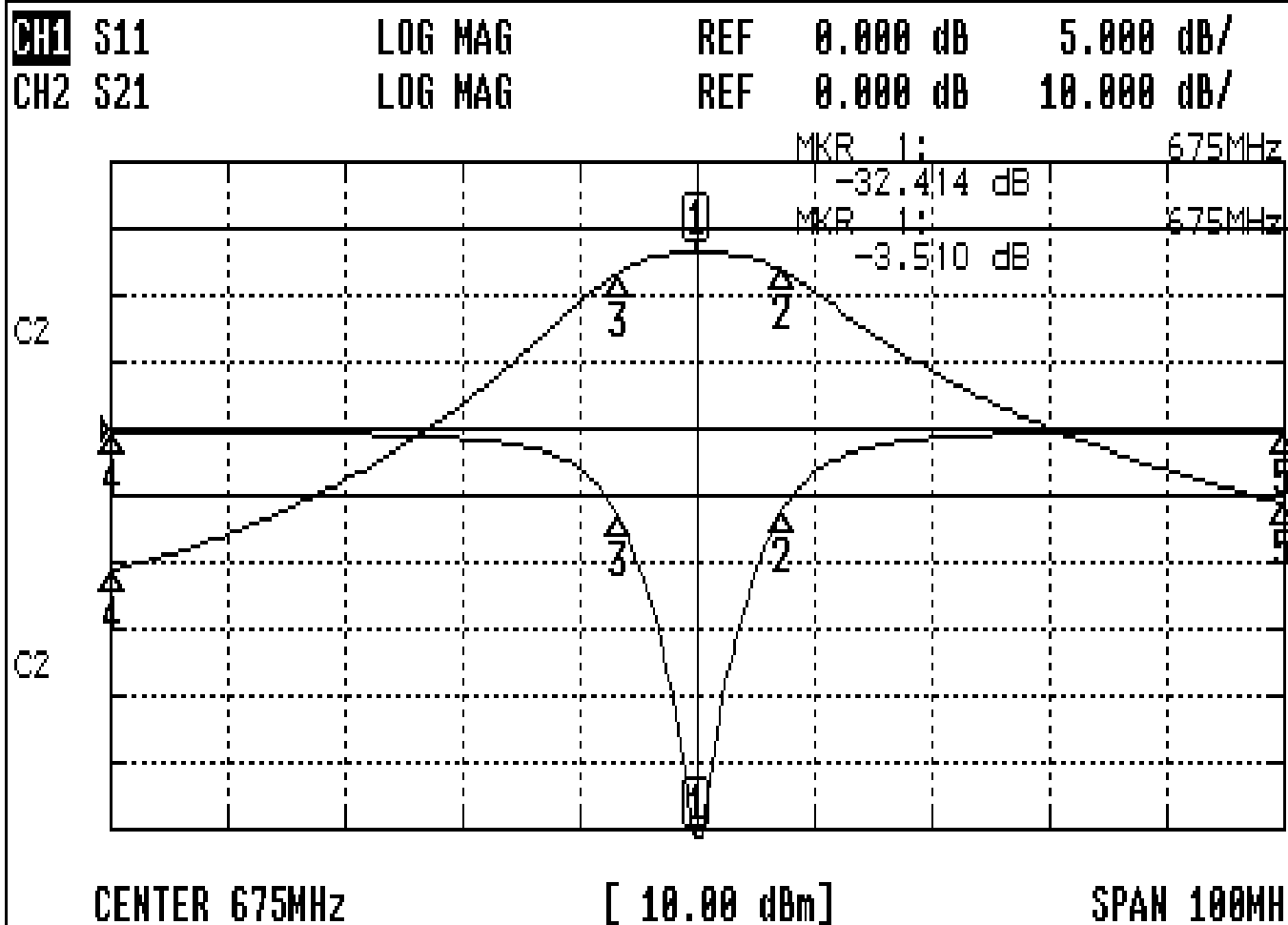
(5) Temperature Condition:	
Operating Temperature	0°C ~ +60°C
Storage Temperature	-20°C ~ +70°C
(6) Input Power	> 1Watt



Approval	Supervisor	Designer	Aperture size
C.Y. Chang	C.S. Chang	P.H. Chiang	7H3(4*4.65)(4.69) 7H046RB4
TEMWELL CORPORATION			

# Performance-TT67838B-675M

## 0510130DC



### CH1 MARKER LIST

1	675.000MHz	-32.476	dB
2	682.416MHz	-6.133	dB
3	668.250MHz	-6.540	dB
4	625.000MHz	-0.194	dB
5	725.000MHz	-0.153	dB

### CH2 MARKER LIST

1	675.000MHz	-3.510	dB
2	682.416MHz	-6.563	dB
3	668.250MHz	-6.574	dB
4	625.000MHz	-51.325	dB
5	725.000MHz	-41.402	dB