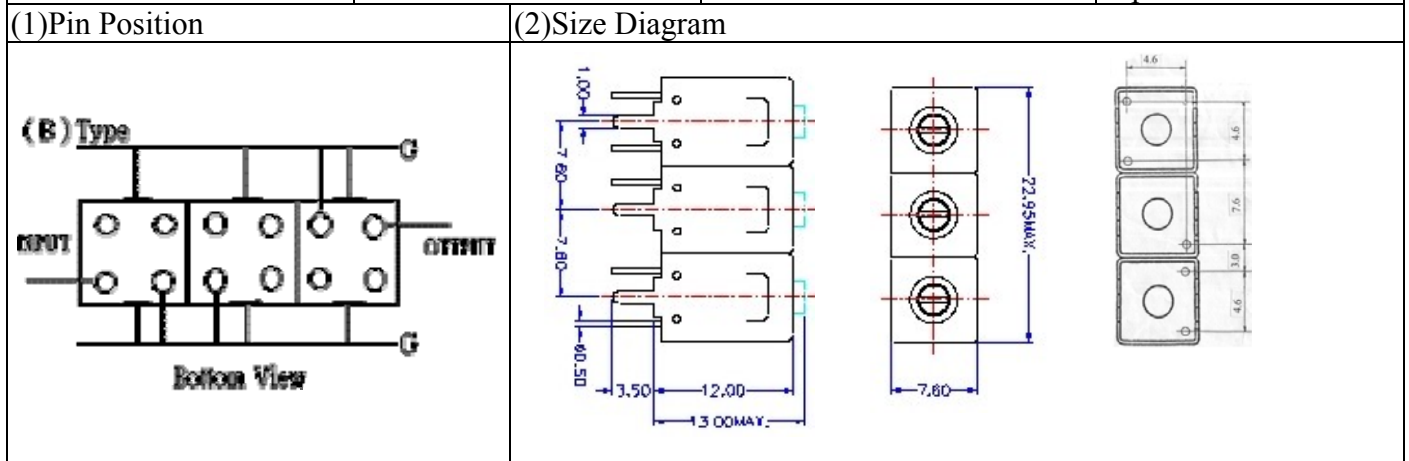


# VHF UHF Helical Filter Specification Sheet

Customer Name		Temwell's Part No.	TT67827B-585M
Approval No. /dated	20508075DC	Acceptable Specify Fo Range	556~595MHz
Work Instruction No.	20508075DC	Date	Sep.06.2005



### (3)Electric Character

Item	Specify	Performance
Center Freq.(Fo) +/- 0.5 %	585 MHz	585 MHz
Tunable Range	585±3 MHz	585±3 MHz
Insertion Loss	Typ. 2.0 dB	1.02 dB
-3 dB Bandwidth	Typ. 50 MHz	59.7 MHz
Sensitivity (Attenuation)	Fo - 100 MHz	Typ. 43 dBc
	Fo + 100 MHz	Typ. 23 dBc
	Fo - ( )MHz	Typ. dBc
	Fo +( )MHz	Typ. dBc
Return Loss	Min. 12 dB	18.1 dB
Ripple	< 1 dB	
Impedance	In / Out : 50 Ω	In / Out : 50 Ω

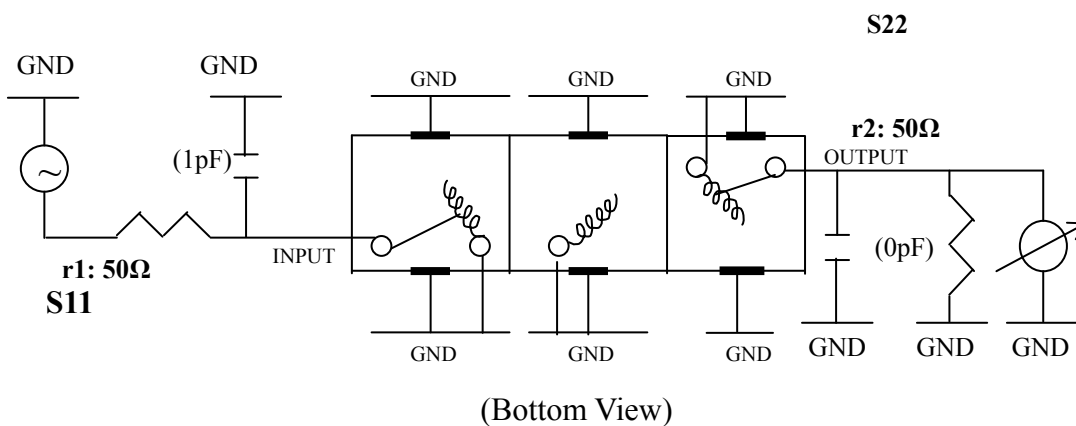
(4)Torque for Tuning Screw > 100gf · cm

### (5)Temperature Condition:

Operating Temperature	0°C ~ +60°C
Storage Temperature	-20°C ~ +70°C

(6)Input Power > 1Watt

(7)Measuring Circuit: ※Easy to match Impedance S11/S22 50Ω/by parallel with about( 1 pF) / ( 0 pF).



Approval	Supervisor	Designer	Aperture size
C.Y. Chang	C.S. Chang	C.S. Chang	7H3S(4*6.5) 7H046RB5.5

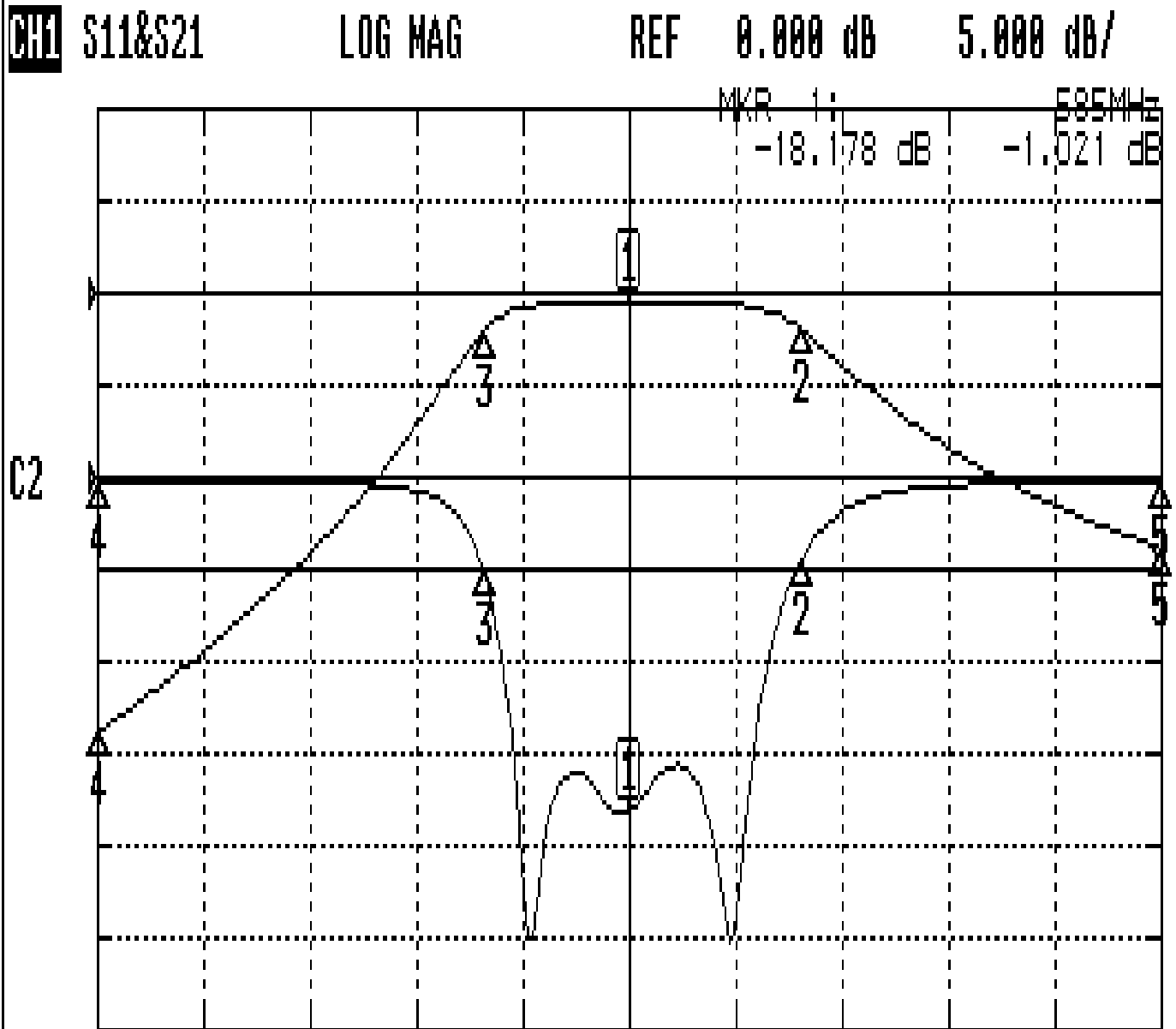
TEMWELL CORPORATION

TEMWELL

Form10-7H3B Vision D

# Performance-TT67827B-585M

## 20508075DC



CENTER 585MHz

[ 10.00 dBm ]

SPAN 200MHz

### CH1 MARKER LIST

1:	585.000MHz	-18.178 dB	-1.021 dB
2:	617.500MHz	-4.370 dB	-4.001 dB
3:	557.833MHz	-5.148 dB	-4.048 dB
4:	485.000MHz	-0.147 dB	-47.659 dB
5:	685.000MHz	-0.174 dB	-27.634 dB