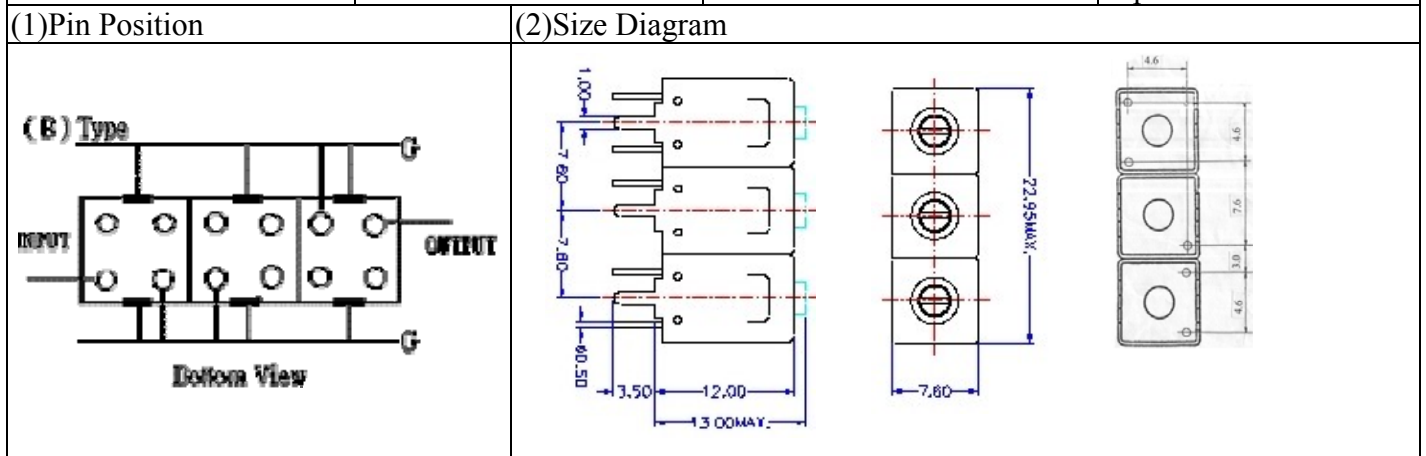


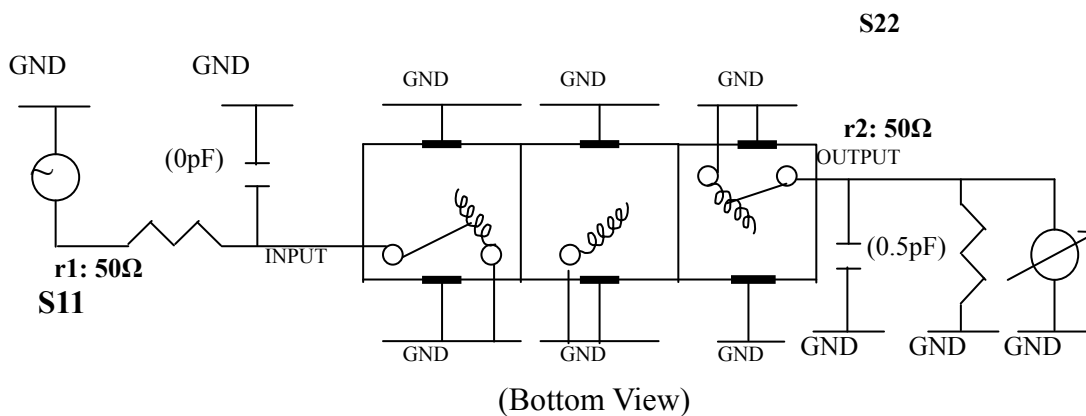
# VHF UHF Helical Filter Specification Sheet

Customer Name		Temwell's Part No.	TT67826B-630M
Approval No. /dated	20508074DC	Acceptable Specify Fo Range	596~640MHz
Work Instruction No.	20508074DC	Date	Sep.12.2005



(3) Electric Character			
Item	Specify		Performance
Center Freq.(Fo) +/- 0.5 %	630	MHz	630 MHz
Tunable Range	630±3	MHz	630±3 MHz
Insertion Loss	Typ. 2.0	dB	1.32 dB
-3 dB Bandwidth	Typ. 40	MHz	47.8 MHz
Sensitivity (Attenuation)	Fo - 120 MHz	Typ. 51 dBc	54 dBc
	Fo + 120 MHz	Typ. 33 dBc	36 dBc
	Fo - ( )MHz	Typ. dBc	dBc
	Fo + ( )MHz	Typ. dBc	dBc
Return Loss	Min. 12	dB	25.5 dB
Ripple	< 1	dB	dB
Impedance	In / Out : 50 Ω		In / Out : 50 Ω
(4) Torque for Tuning Screw		> 100gf · cm	
(5) Temperature Condition:			
Operating Temperature	0°C ~ +60°C		
Storage Temperature	-20°C ~ +70°C		
(6) Input Power		> 1Watt	

(7) Measuring Circuit: ※Easy to match Impedance S11/S22 50Ω/by parallel with about( 0 pF) / (0.5pF).



Approval	Supervisor	Designer	Aperture size
C.Y. Chang	C.S. Chang	W.W. Wang	7H3S(4*5.5)(5.65)F 7H046RB5.5

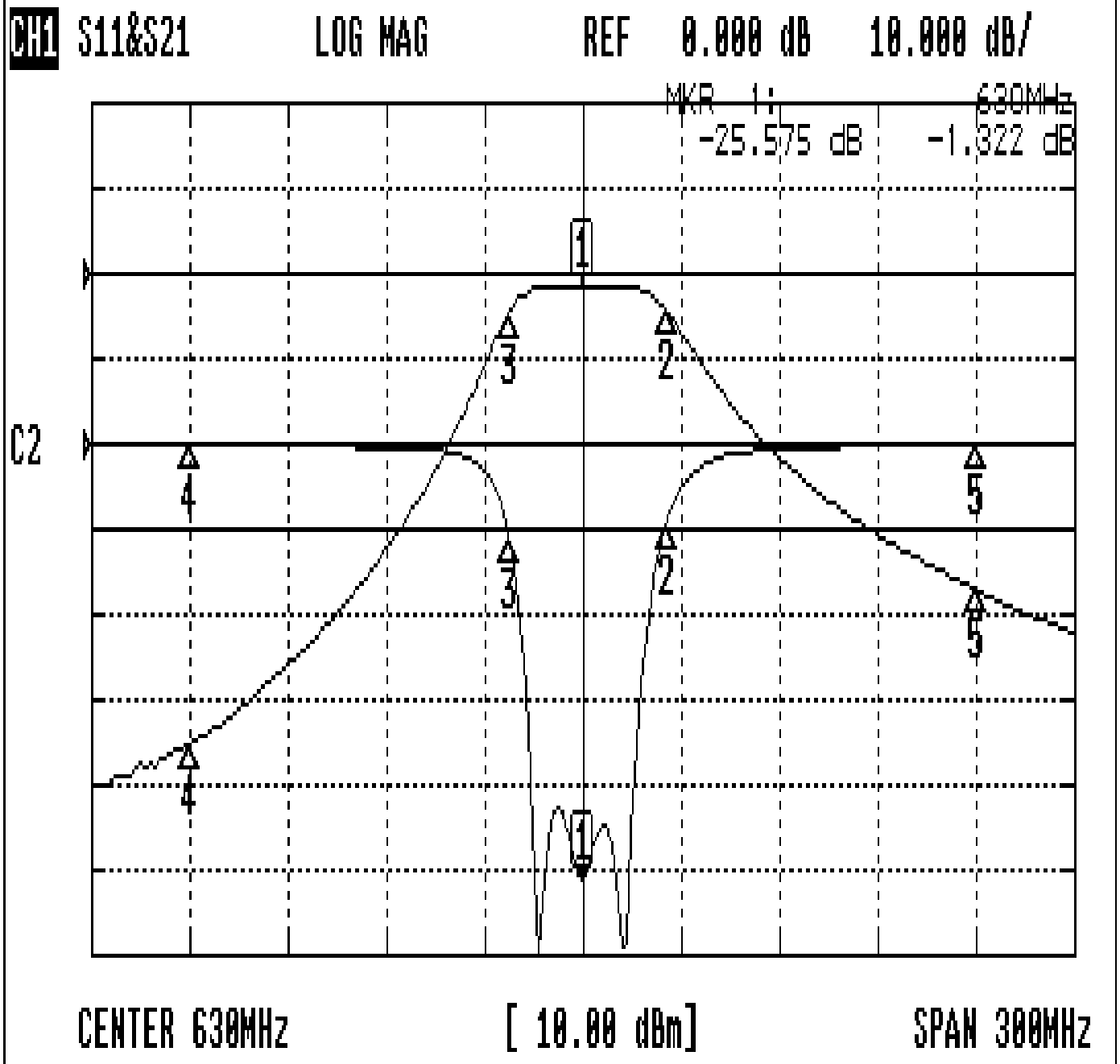
TEMWELL CORPORATION

TEMWELL

Form10-7H3B Vision D

# Performance-TT67826B-630M

## 20508074DC



### CH1 MARKER LIST

1:	630.000MHz	-25.575 dB	-1.322 dB
2:	655.500MHz	-4.659 dB	-4.319 dB
3:	687.750MHz	-5.610 dB	-4.353 dB
4:	510.000MHz	-0.075 dB	-55.227 dB
5:	750.000MHz	-0.040 dB	-37.853 dB