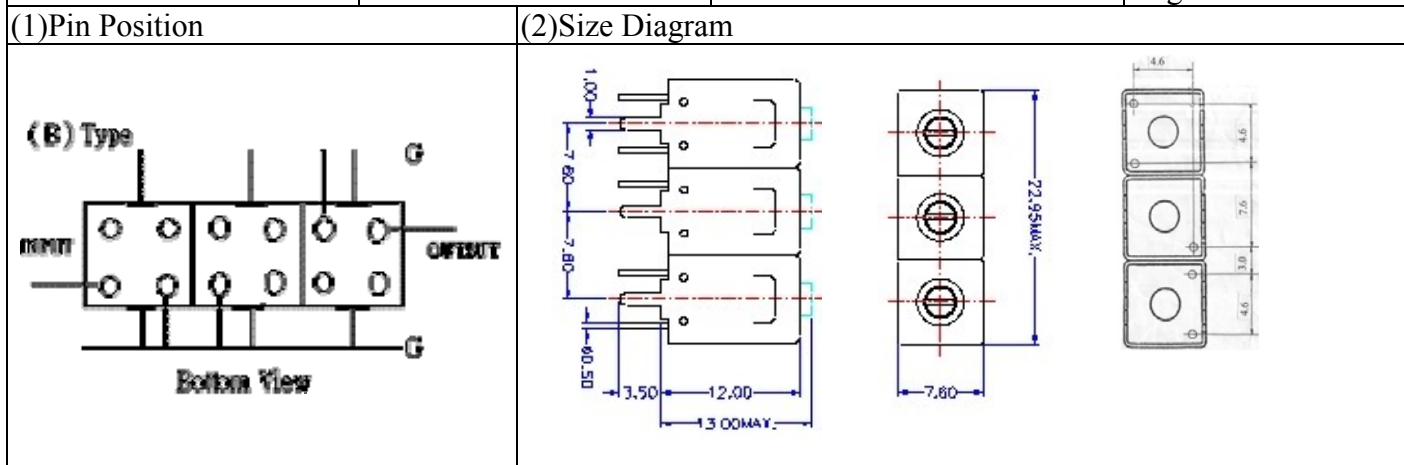


VHF UHF Helical Filter Specification Sheet

Customer Name		Temwell's Part No.	TT67812B-535M
Approval No. /dated	20507180DC	Acceptable Specify Fo Range	516~555MHz
Work Instruction No.	20507180DC	Date	Aug.12.2005



(3) Electric Character

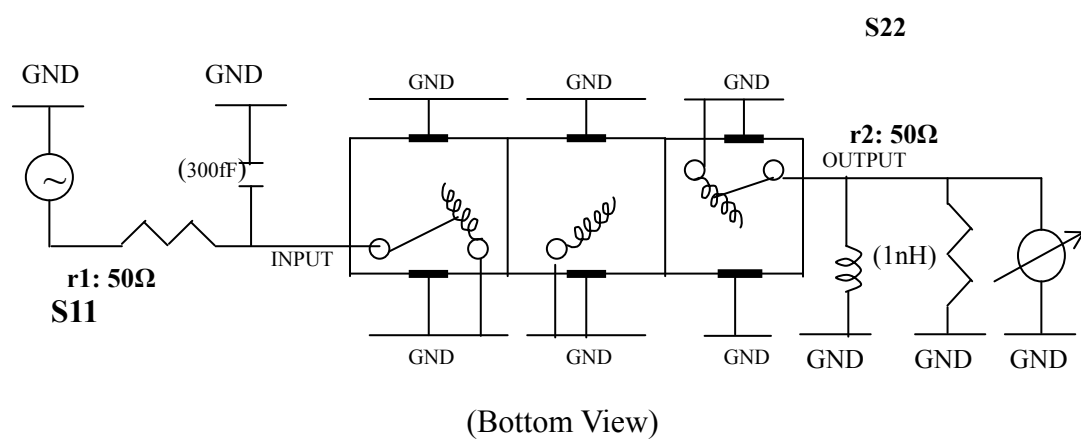
Item	Specify	Performance	
Center Freq.(Fo) +/- 0.5 %	535 MHz	535 MHz	
Tunable Range	535±3 MHz	535±3 MHz	
Insertion Loss	Typ. 2.0 dB	1.19 dB	
-3 dB Bandwidth	Typ. 40 MHz	48.5 MHz	
Sensitivity (Attenuation)	Fo - 100 MHz	Typ. 46 dBc	49 dBc
	Fo + 100 MHz	Typ. 29 dBc	32 dBc
	Fo - ()MHz	Typ. dBc	dBc
	Fo + ()MHz	Typ. dBc	dBc
Return Loss	Min. 12 dB	22.6 dB	
Ripple	< 1 dB	dB	
Impedance	In / Out : 50 Ω	In / Out : 50 Ω	

(4) Torque for Tuning Screw > 100gf · cm

(5) Temperature Condition:
 Operating Temperature 0°C ~ +60°C
 Storage Temperature -20°C ~ +70°C

(6) Input Power > 1Watt

(7) Measuring Circuit: ※Easy to match Impedance S11/S22 50Ω/by parallel with about(300 fF) / (1nH).

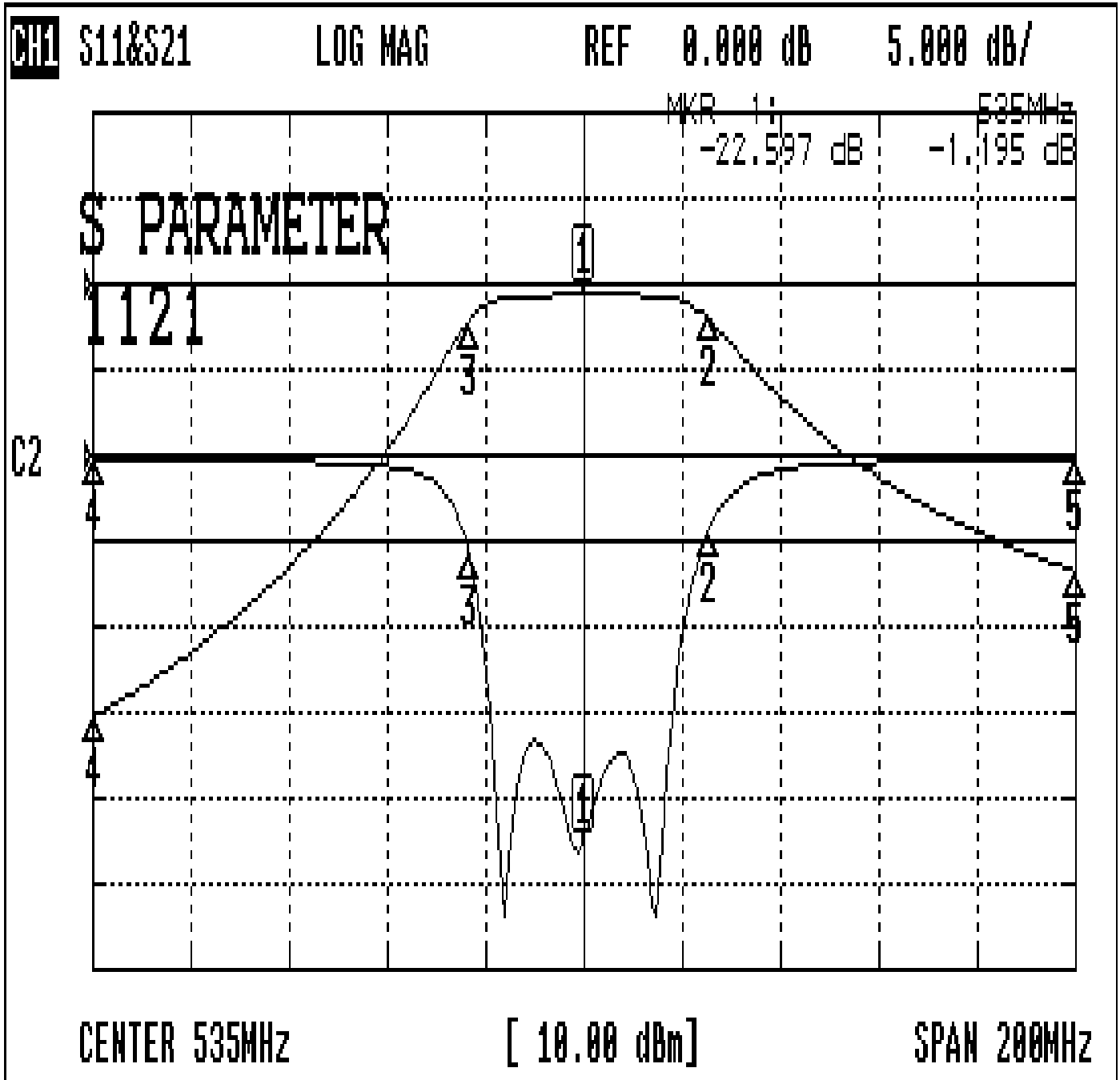


Approval	Supervisor	Designer	Aperture size
C.Y. Chang	C.S. Chang	W.W. Wang	7H3S(4*5.5)(5.63)F 7H046RB5.5

TEMWELL CORPORATION

Performance-TT67812B-535M

20507180DC



CH1 MARKER LIST

1:	535.000MHz	-22.603 dB	-1.196 dB
2:	560.333MHz	-4.503 dB	-4.089 dB
3:	511.833MHz	-5.832 dB	-4.141 dB
4:	435.000MHz	-0.245 dB	-50.530 dB
5:	635.000MHz	-0.280 dB	-33.508 dB