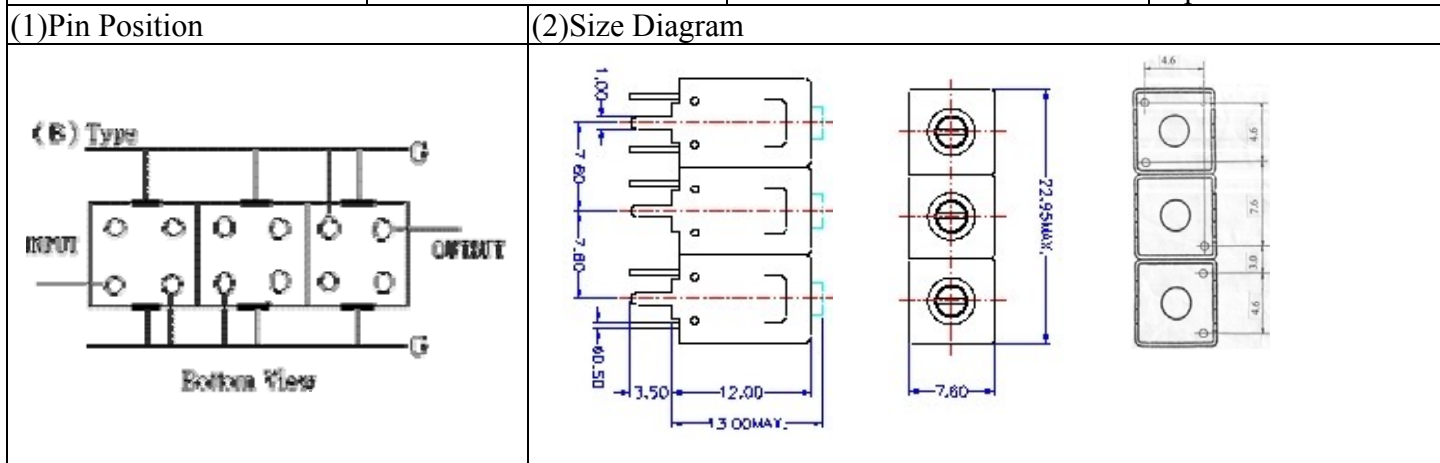


VHF UHF Helical Filter Specification Sheet

Customer Name		Temwell's Part No.	TT67810B-1275M
Approval No. /dated	20507178DC	Acceptable Specify Fo Range	1251~1300MHz
Work Instruction No.	20507178DC	Date	Sep.03.2005



(3) Electric Character

Item	Specify	Performance
Center Freq.(Fo) +/- 0.5 %	1275 MHz	1275 MHz
Tunable Range	1275±5 MHz	1275±5 MHz
Insertion Loss	Typ. 3.0 dB	1.87 dB
-3 dB Bandwidth	Typ. 60 MHz	73.3 MHz
Sensitivity (Attenuation)	Fo - 100 MHz	Typ. 28 dBc
	Fo + 100 MHz	Typ. 20 dBc
	Fo - ()MHz	Typ. dBc
	Fo +()MHz	Typ. dBc
Return Loss	Min. 12 dB	26.5 dB
Ripple	< 1 dB	dB
Impedance	In / Out : 50 Ω	In / Out : 50 Ω

(4) Torque for Tuning Screw > 100gf · cm

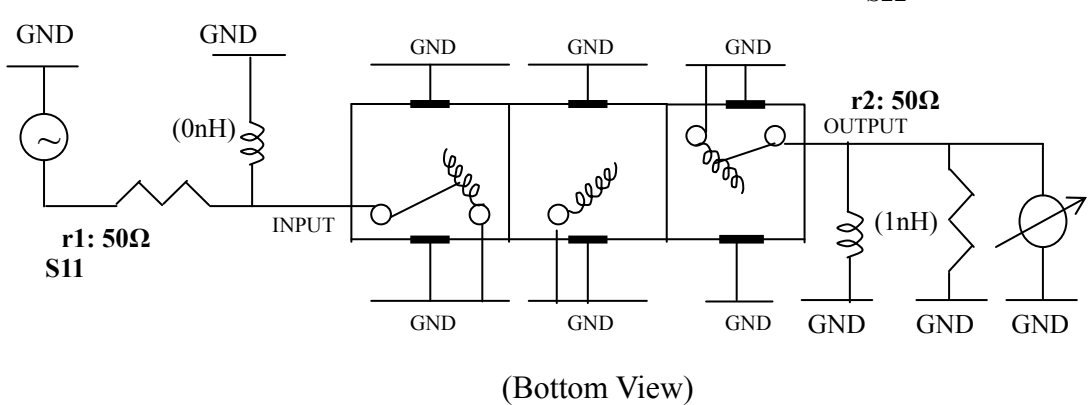
(5) Temperature Condition:

Operating Temperature	0°C ~ +60°C
-----------------------	-------------

Storage Temperature	-20°C ~ +70°C
---------------------	---------------

(6) Input Power > 1 Watt

(7) Measuring Circuit: ※Easy to match Impedance S11/S22 50Ω by parallel with about(0 nH) / (1 nH).

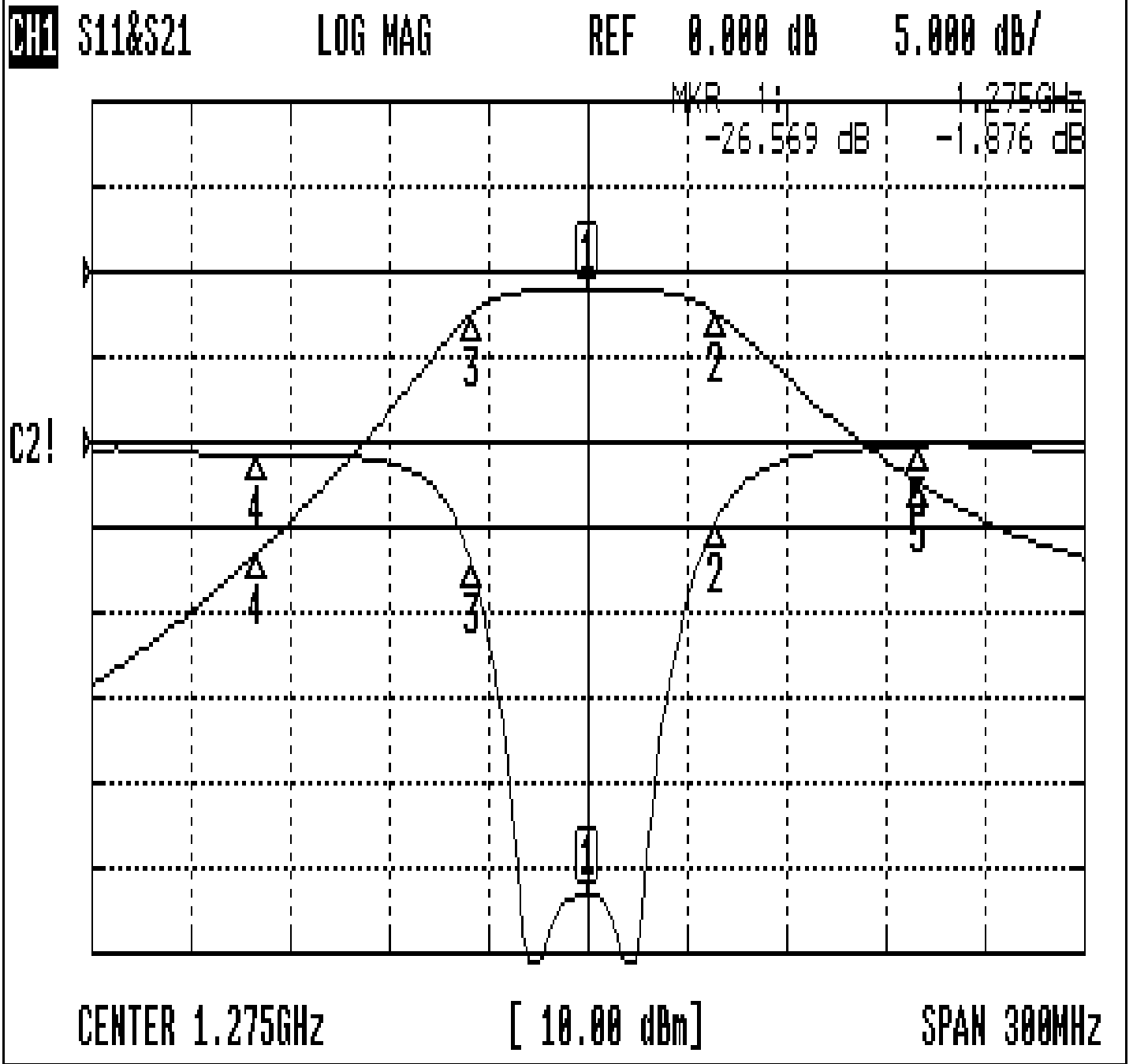


Approval	Supervisor	Designer	Aperture size
C.Y. Chang	C.S. Chang	C.S. Chang	7H3S(4*5.5) 7H046RB5.5

TEMWELL CORPORATION

Performance-TT67810B-1275M

20507178DC



CH1 MARKER LIST

1:	1.275 000GHz	-26.569 dB	-1.876 dB
2:	1.313 500GHz	-4.791 dB	-4.869 dB
3:	1.240 250GHz	-7.288 dB	-4.847 dB
4:	1.175 000GHz	-0.774 dB	-33.157 dB
5:	1.375 000GHz	-0.159 dB	-24.817 dB