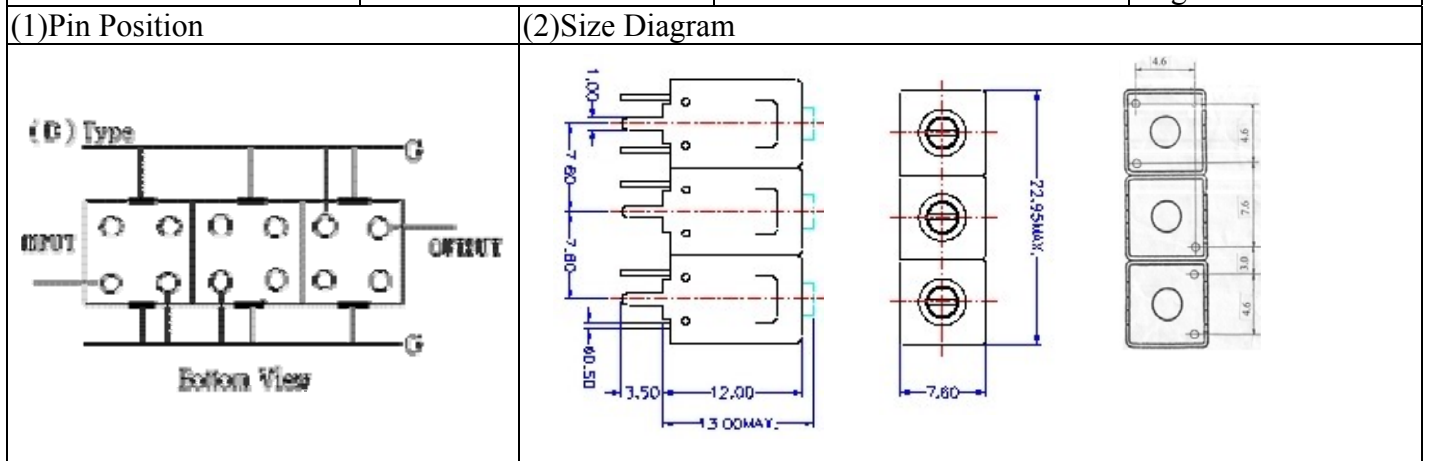


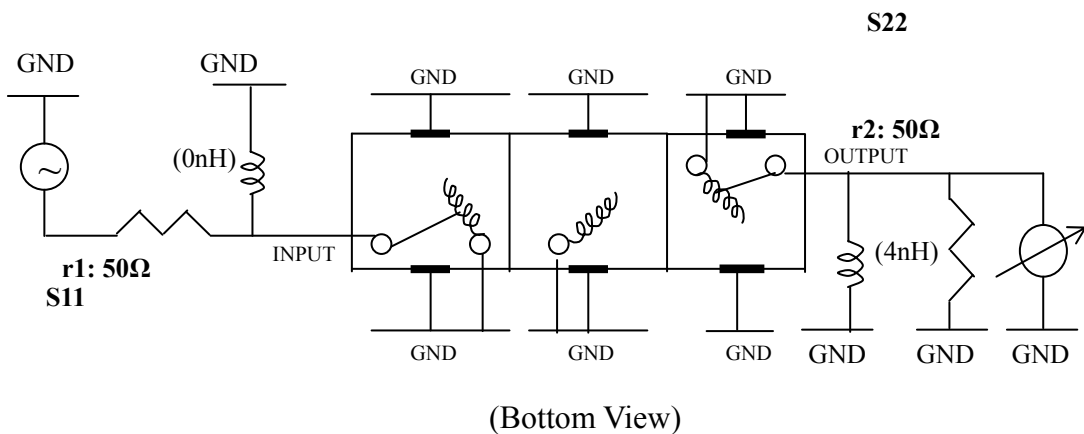
VHF UHF Helical Filter Specification Sheet

Customer Name		Temwell's Part No.	TT67809B-1215M
Approval No. /dated	20507177DC	Acceptable Specify Fo Range	1181~1250MHz
Work Instruction No.	20507177DC	Date	Aug.29.2005



(3) Electric Character					
Item		Specify		Performance	
Center Freq.(Fo) +/- 0.5 %		1215 MHz		1215 MHz	
Tunable Range		1215±5 MHz		1215±5 MHz	
Insertion Loss		Typ. 2.5 dB		1.44 dB	
-3 dB Bandwidth		Typ. 60 MHz		73.0 MHz	
Sensitivity (Attenuation)	Fo - 100 MHz	Typ. 29 dBc		32 dBc	
	Fo + 100 MHz	Typ. 20 dBc		23 dBc	
	Fo - ()MHz	Typ. dBc		dBc	
	Fo +()MHz	Typ. dBc		dBc	
Return Loss		Min. 12 dB		30.1 dB	
Ripple		< 1 dB		dB	
Impedance		In / Out : 50 Ω		In / Out : 50 Ω	
(4) Torque for Tuning Screw		> 100gf · cm			
(5) Temperature Condition:					
Operating Temperature		0°C ~ +60°C			
Storage Temperature		-20°C ~ +70°C			
(6) Input Power		> 1Watt			

(7) Measuring Circuit: ※Easy to match Impedance S11/S22 50Ω by parallel with about(0 nH) / (4 nH).

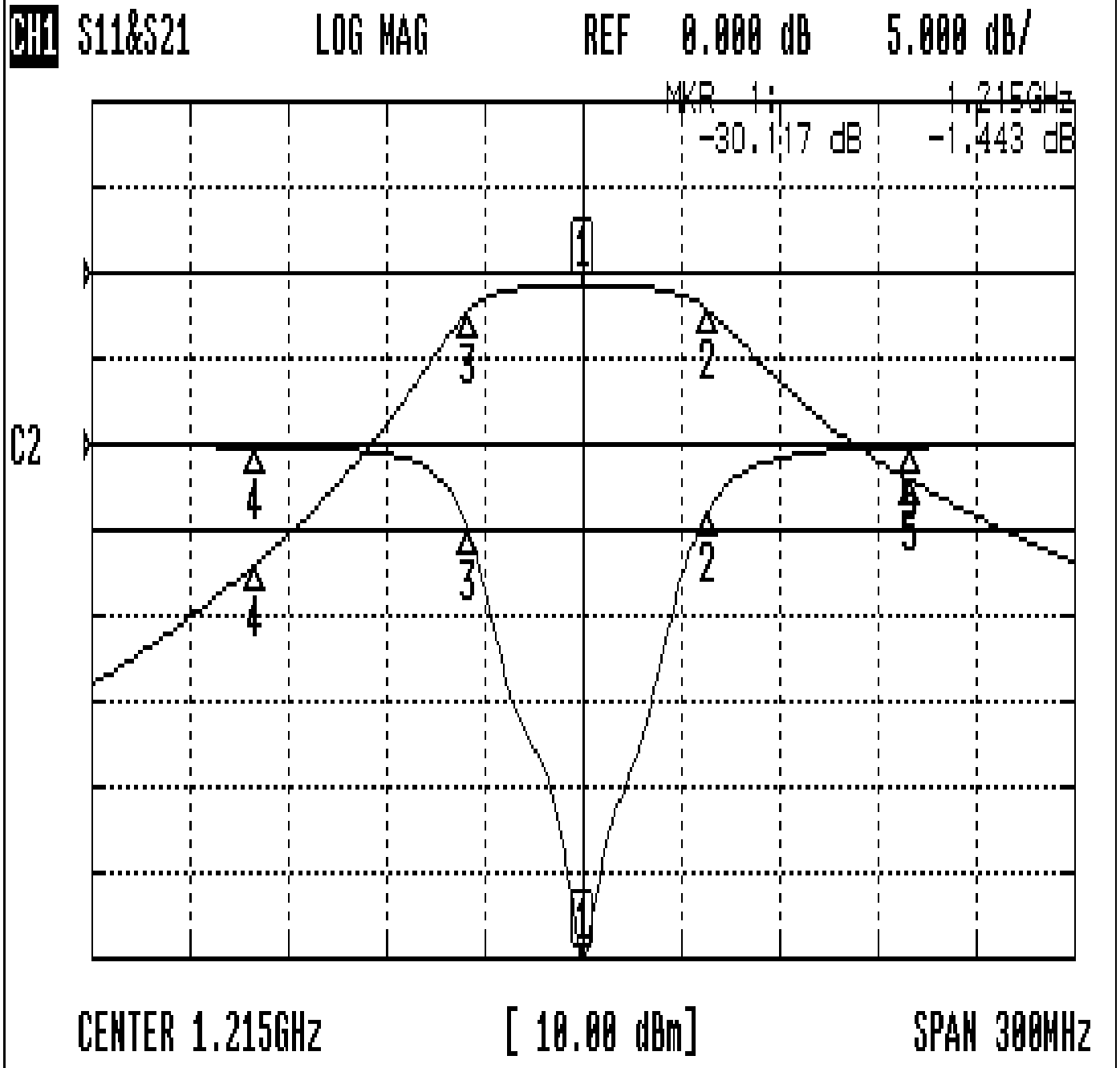


Approval	Supervisor	Designer	Aperture size
C.Y. Chang	C.S. Chang	C.S. Chang	7H3S(4*5.5) 7H046LB5.5

TEMWELL CORPORATION

Performance-TT67809B-1215M

20507177DC



CH1 MARKER LIST

1:	1.215 000GHz	-30.117 dB	-1.443 dB
2:	1.253 250GHz	-3.985 dB	-4.485 dB
3:	1.180 250GHz	-5.873 dB	-4.448 dB
4:	1.115 000GHz	-0.165 dB	-33.947 dB
5:	1.315 000GHz	-0.157 dB	-24.223 dB