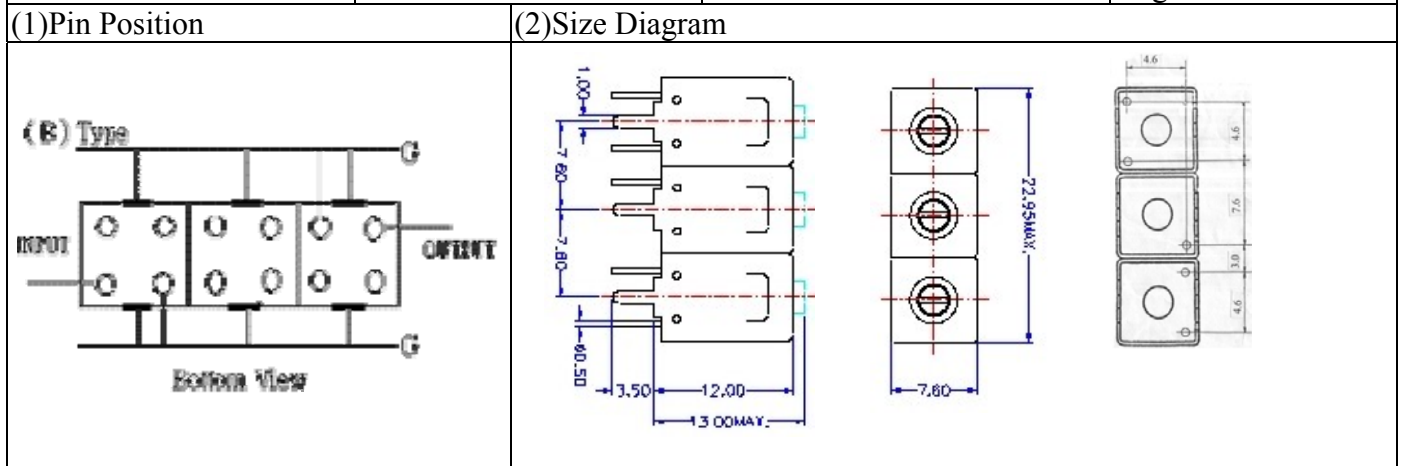


VHF UHF Helical Filter Specification Sheet

Customer Name		Temwell's Part No.	TT67808B-988M
Approval No. /dated	20507176DC	Acceptable Specify Fo Range	976~1000MHz
Work Instruction No.	20507176DC	Date	Aug.11.2005



(3) Electric Character

Item	Specify	Performance
Center Freq.(Fo) +/- 0.5 %	988 MHz	988 MHz
Tunable Range	988±5 MHz	988±5 MHz
Insertion Loss	Typ. 2.5 dB	1.65 dB
-3 dB Bandwidth	Typ. 60 MHz	74.0 MHz
Sensitivity (Attenuation)	Fo - 100 MHz	Typ. 30 dBc
	Fo + 100 MHz	Typ. 20 dBc
	Fo - ()MHz	Typ. dBc
	Fo +()MHz	Typ. dBc
Return Loss	Min. 12 dB	30.8 dB
Ripple	< 1 dB	dB
Impedance	In / Out : 50 Ω	In / Out : 50 Ω

(4) Torque for Tuning Screw > 100gf · cm

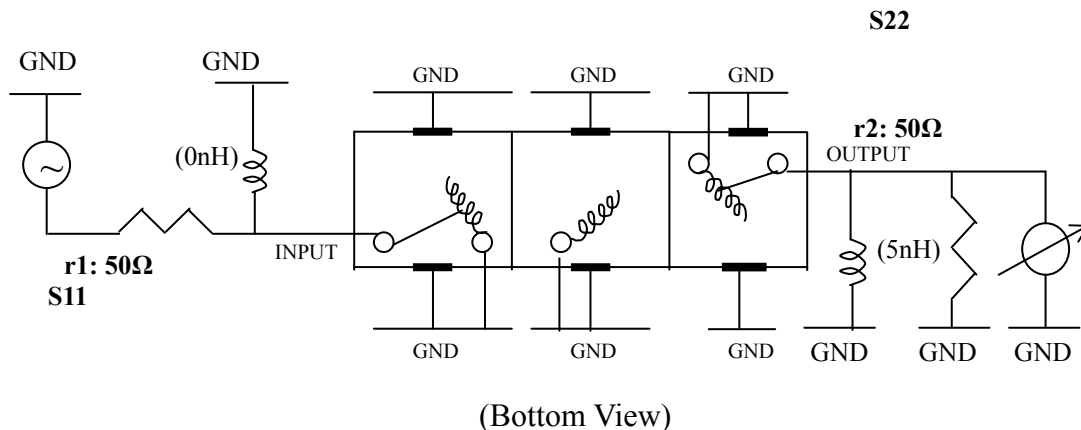
(5) Temperature Condition:

Operating Temperature	0°C ~ +60°C
-----------------------	-------------

Storage Temperature	-20°C ~ +70°C
---------------------	---------------

(6) Input Power > 1Watt

(7) Measuring Circuit: ※Easy to match Impedance S11/S22 50Ω by parallel with about(0 nH) / (5 nH).



Approval	Supervisor	Designer	Aperture size
C.Y. Chang	C.S. Chang	C.S. Chang	7H3S(4*5.5) 7H046RB5.5

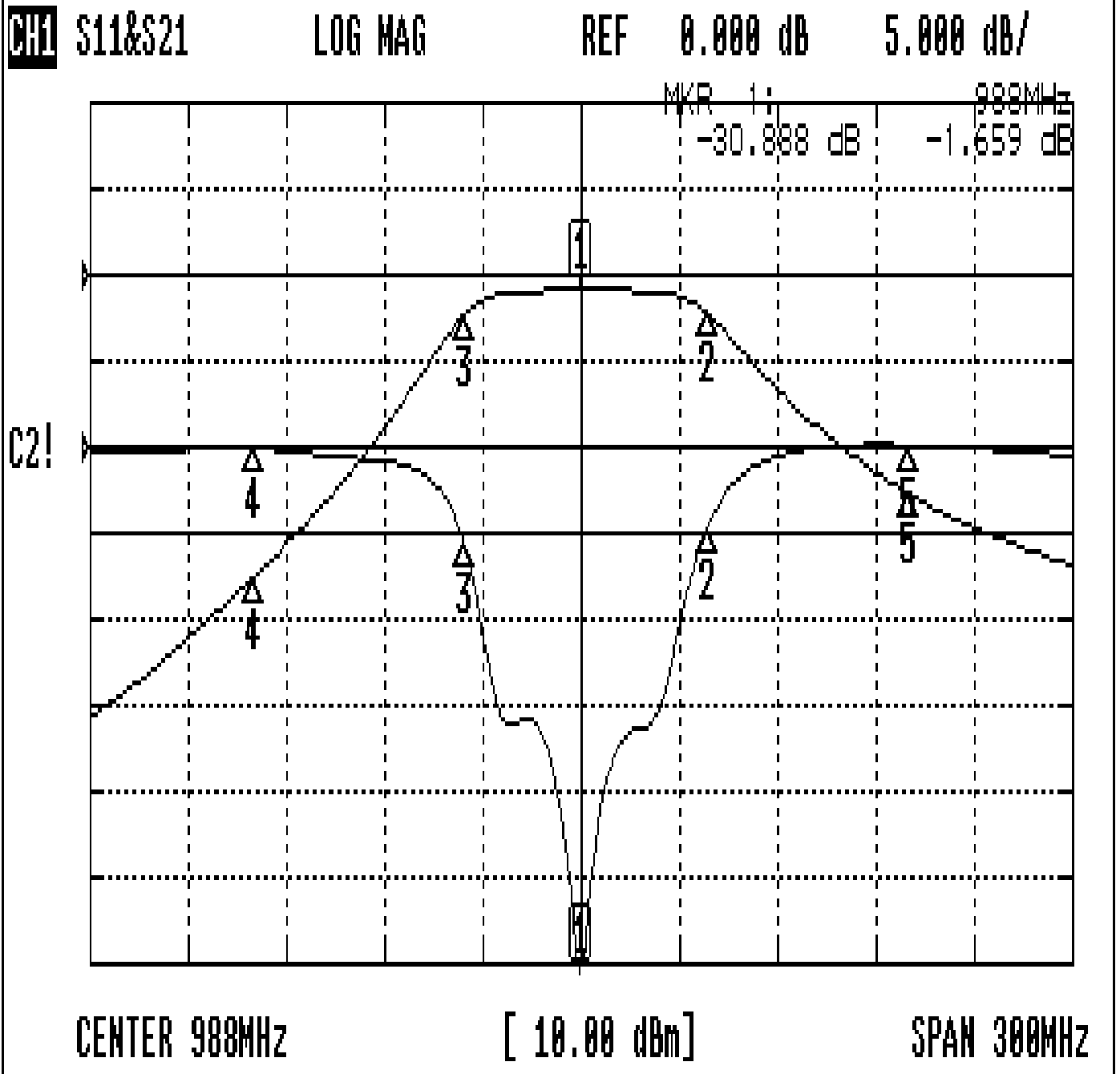
TEMWELL CORPORATION

TEMWELL

Form10-7H3B Vision D

Performance-TT67808B-988M

20507176DC



CH1 MARKER LIST

1:	988.000MHz	-30.888 dB	-1.659 dB
2:	1.026 500GHz	-4.741 dB	-4.588 dB
3:	952.500MHz	-5.711 dB	-4.605 dB
4:	888.000MHz	-0.002 dB	-35.115 dB
5:	1.088 000GHz	0.093 dB	-25.390 dB