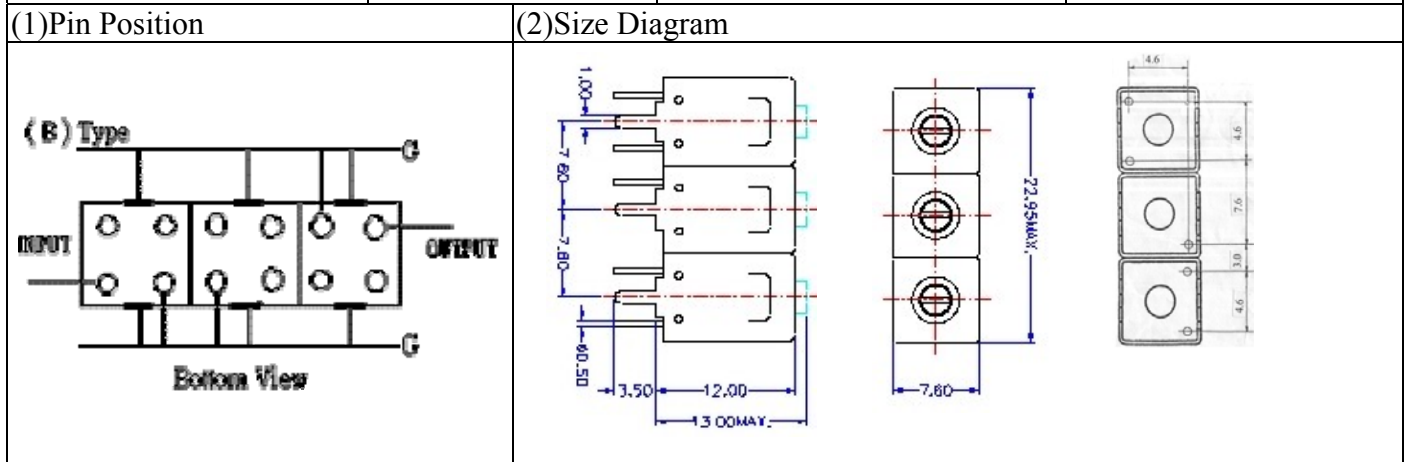


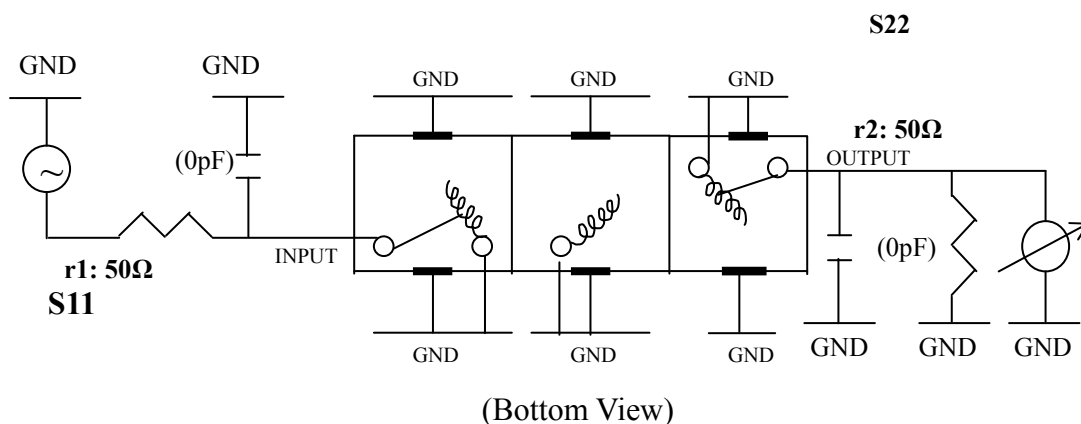
VHF UHF Helical Filter Specification Sheet

Customer Name		Temwell's Part No.	TT67805B-880M
Approval No. /dated	20507173DC	Acceptable Specify Fo Range	861~-900MHz
Work Instruction No.	20507173DC	Date	Aug.31.2005



(3) Electric Character					
Item		Specify		Performance	
Center Freq.(Fo) +/- 0.5 %		880	MHz	880	MHz
Tunable Range		880±5	MHz	880±5	MHz
Insertion Loss		Typ.	2.5 dB	1.55	dB
-3 dB Bandwidth		Typ.	60 MHz	70	MHz
Sensitivity (Attenuation)	Fo - 120 MHz	Typ.	41 dBc	43	dBc
	Fo + 120 MHz	Typ.	22 dBc	24	dBc
	Fo - ()MHz	Typ.	dBc		dBc
	Fo +()MHz	Typ.	dBc		dBc
Return Loss		Min.	12 dB	34.3	dB
Ripple			< 1 dB		dB
Impedance		In / Out : 50 Ω		In / Out : 50 Ω	
(4) Torque for Tuning Screw		> 100gf · cm			
(5) Temperature Condition:					
Operating Temperature		0°C ~ +60°C			
Storage Temperature		-20°C ~ +70°C			
(6) Input Power		> 1Watt			

(7) Measuring Circuit: ※Easy to match Impedance S11/S22 50Ω/by parallel with about(0 pF) / (0 pF).



Approval	Supervisor	Designer	Aperture size
C.Y. Chang	C.S. Chang	W.W. Wang	7H3S(4*6.5)(6.58)F 7H046RB5.5

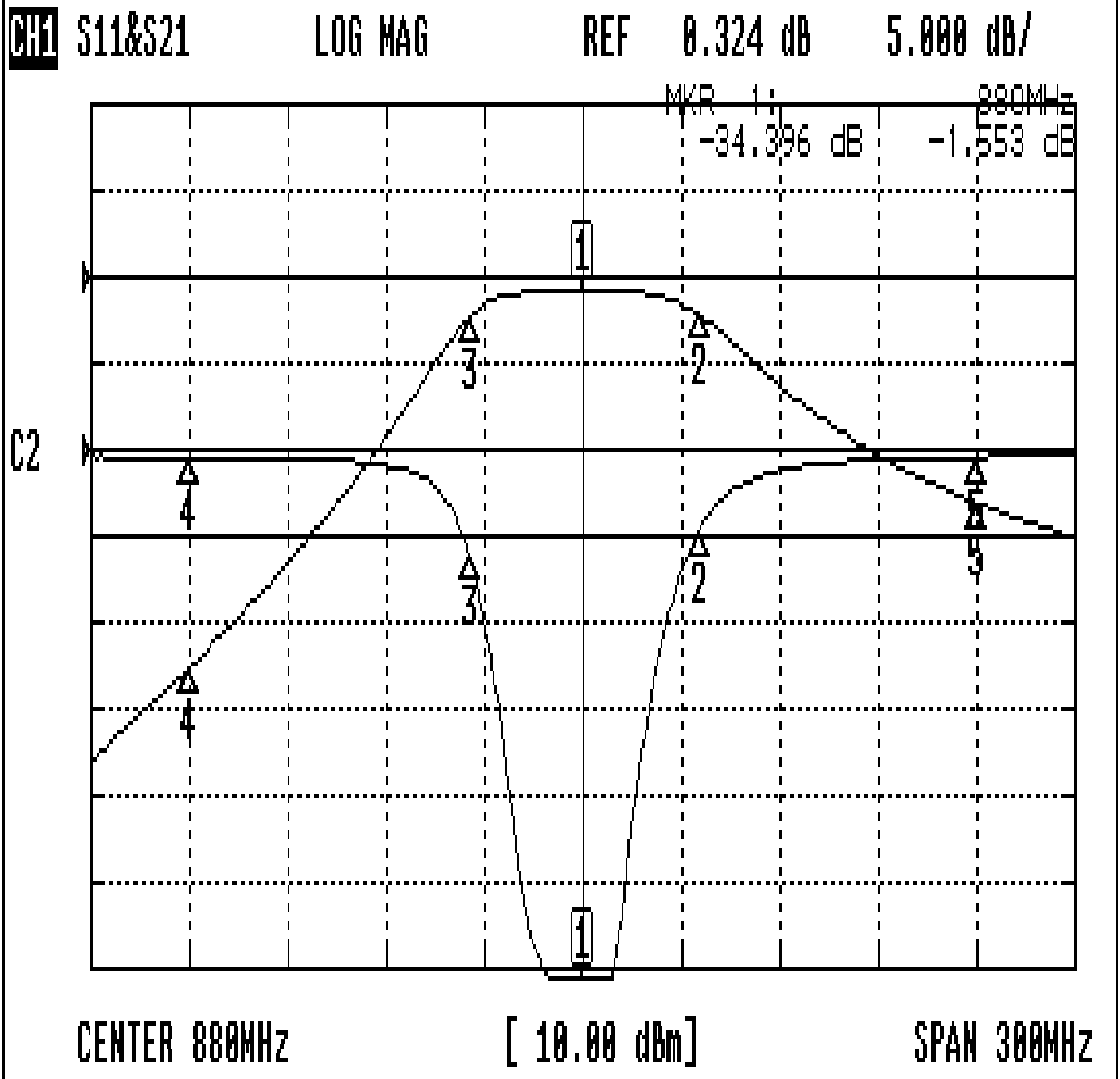
TEMWELL CORPORATION

TEMWELL

Form10-7H3B Vision D

Performance-TT67805B-880M

20507173DC



CH1 MARKER LIST

1:	880.000MHz	-34.396 dB	-1.553 dB
2:	915.500MHz	-4.383 dB	-4.490 dB
3:	845.500MHz	-5.791 dB	-4.553 dB
4:	760.000MHz	-0.097 dB	-45.221 dB
5:	1.000 000GHz	-0.076 dB	-26.134 dB