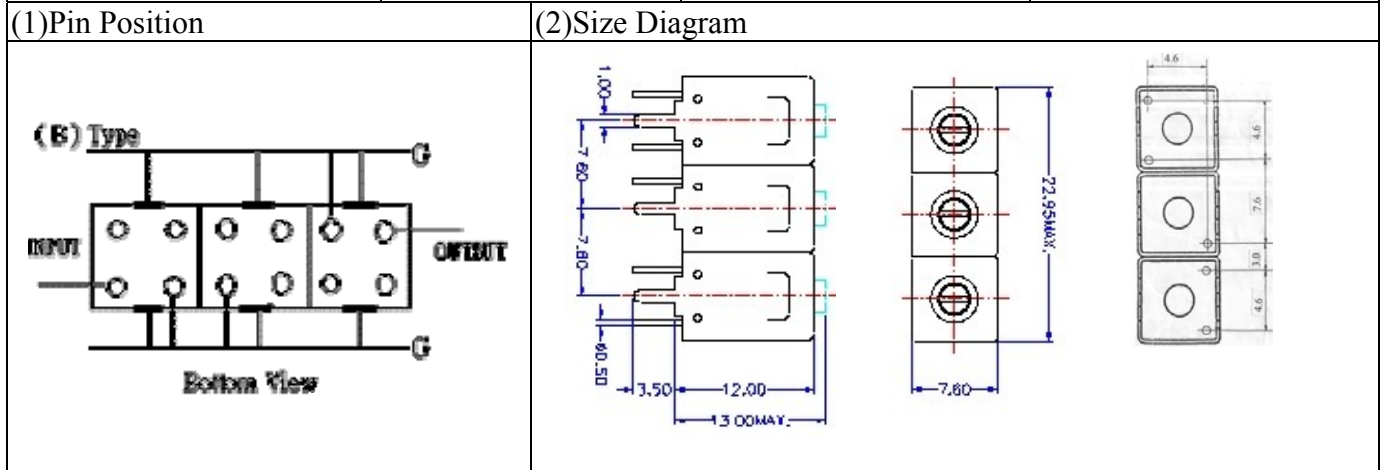


VHF UHF Helical Filter Specification Sheet

Customer Name		Temwell's Part No.	TT67804B-815M
Approval No. /dated	0906087CD	Temwell's print name	67804B 815M
Work Instruction No.	200906087CD	Date	Jun.25.2009



(3) Electric Character

Item	Specify	Performance	
Center Freq.(Fo) +/- 0.5 %	815 MHz	815 MHz	
Insertion Loss	Typ. 2.0 dB	1.24 dB	
-3 dB Bandwidth	Typ. 60 MHz	67.0 MHz	
Sensitivity (Attenuation)	Fo - 120 MHz	Typ. 39 dBc	44 dBc
	Fo + 120 MHz	Typ. 21 dBc	23 dBc
	Fo - ()MHz	Typ. dBc	dBc
	Fo +()MHz	Typ. dBc	dBc
Return Loss	Min. 12 dB	20.6 dB	
Ripple	< 1 dB	dB	
Impedance	In / Out : 50 Ω	In / Out : 50 Ω	
(4) Torque for Tuning Screw	> 100gf • cm		

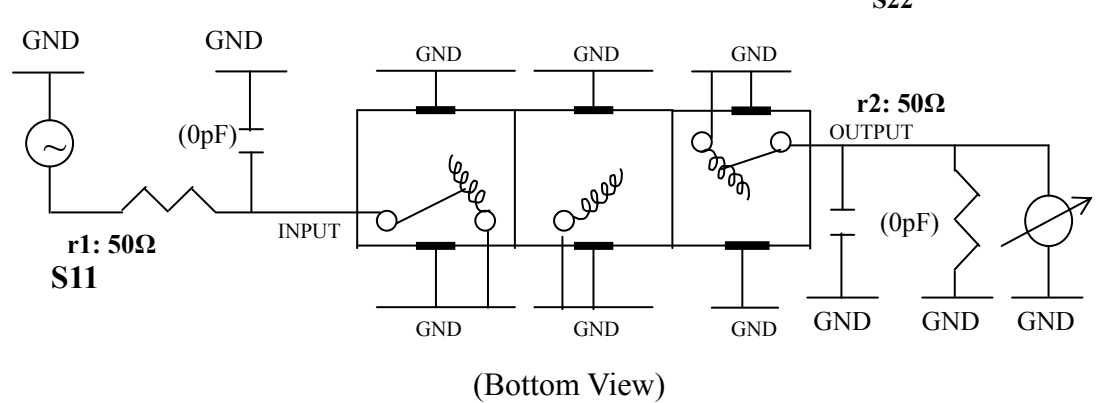
(5) Temperature Condition:

Operating Temperature	0°C ~ +60°C
Storage Temperature	-20°C ~ +70°C

(6) Input Power

> 1Watt

(7) Measuring Circuit: ※Easy to match Impedance S11/S22 50Ω/by parallel with about(0 pF) / (0 pF).



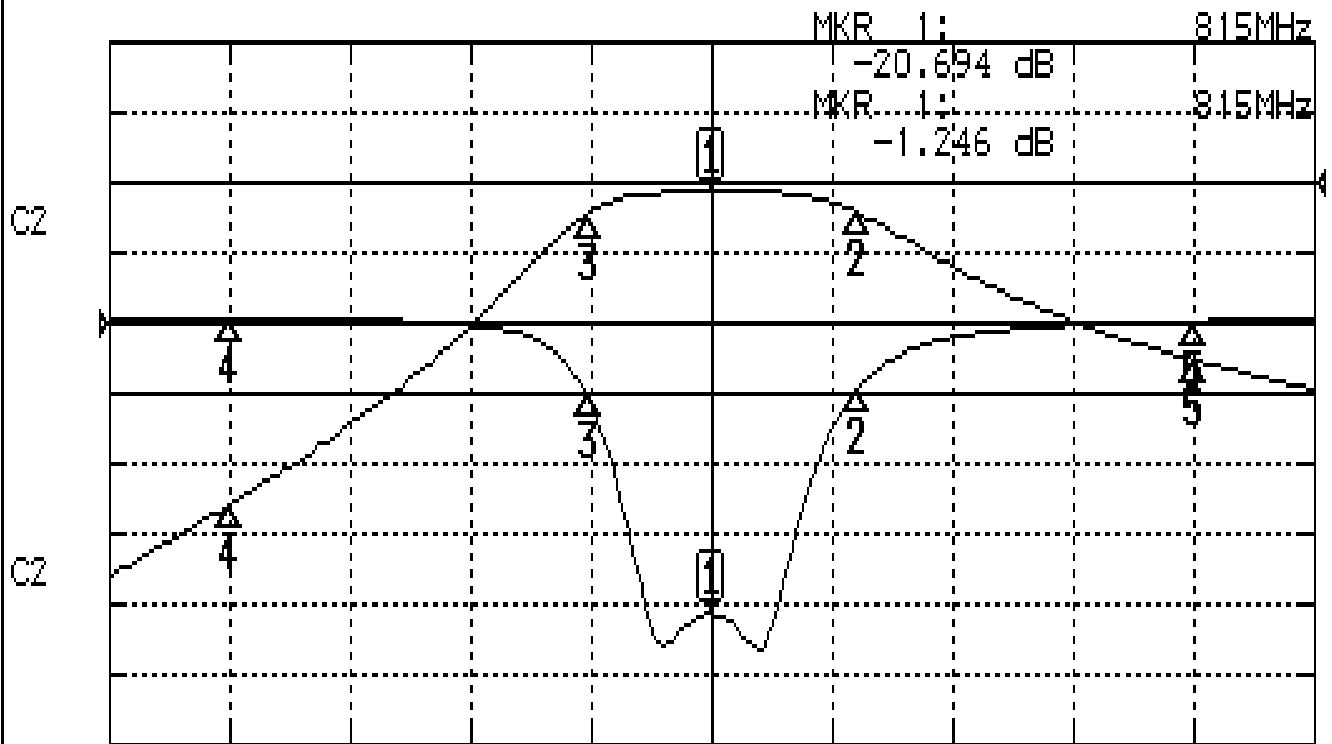
Approval C.Y.Chang	Supervisor C.K.Chang	Designer C.H.Yeh	Aperture size 7H3S(4*7.5)(7.60) 7H046RB5.5
-----------------------	-------------------------	---------------------	--

TEMWELL CORPORATION

Performance-TT67804B-815M

200906087CD

CH1 S11 LOG MAG REF 0.000 dB 5.000 dB/
CH2 S21 LOG MAG REF 0.000 dB 10.000 dB/



CENTER 815MHz

[10.00 dBm]

SPAN 300MHz

CH1 MARKER LIST

1:	815.000MHz	-20.694 dB
2:	851.250MHz	-4.760 dB
3:	784.250MHz	-5.280 dB
4:	695.000MHz	0.266 dB
5:	935.000MHz	0.127 dB

CH2 MARKER LIST

1:	815.000MHz	-1.246 dB
2:	851.250MHz	-4.242 dB
3:	784.250MHz	-4.249 dB
4:	695.000MHz	-45.867 dB
5:	935.000MHz	-25.166 dB