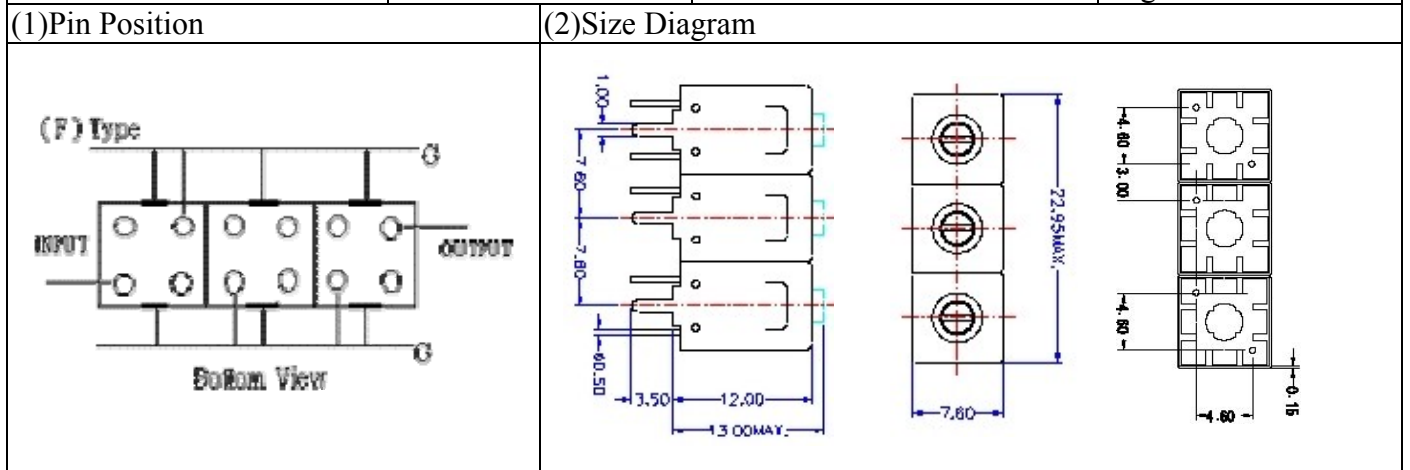


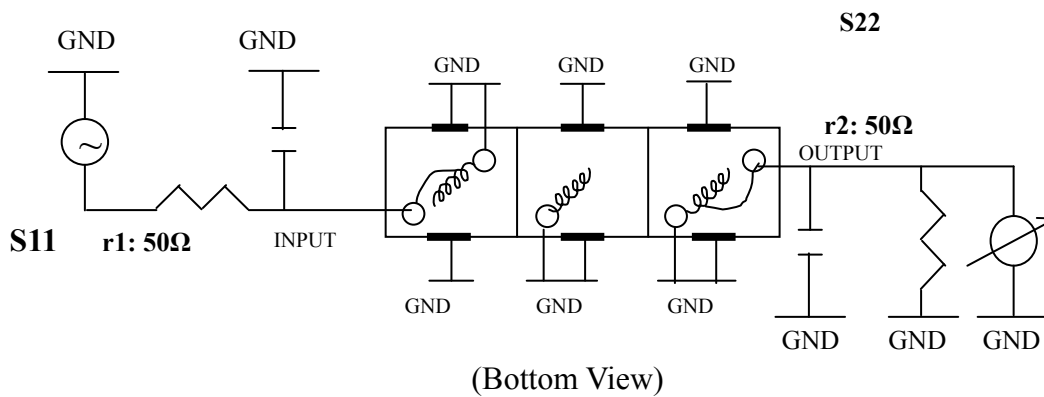
VHF UHF Helical Filter Specification Sheet

Customer Name		Temwell's Part No.	TT67803F-725M
Approval No. /dated	201007086CD	Temwell's print name	67803F 725M
Work Instruction No.	201007086CD	Date	Aug.10.2010



(3) Electric Characteristic		Specify	Performance
Center Freq.(Fo) +/- 0.5 %		725 MHz	725 MHz
Insertion Loss		Typ. 2.0 dB	0.94 dB
-3 dB Bandwidth		Typ. 70 MHz	75.3 MHz
Sensitivity (Attenuation)	Fo - 150 MHz	Typ. 37 dBc	40 dBc
	Fo + 150 MHz	Typ. 32 dBc	35 dBc
	Fo - ()MHz	Typ. dBc	dBc
	Fo +()MHz	Typ. dBc	dBc
Return Loss		Min. 12 dB	20.5 dB
Ripple		< 1 dB	dB
Impedance		In / Out : 50 Ω	In / Out : 50 Ω
(4) Torque for Tuning Screw		> 60gf · cm	
(5) Temperature Condition:			
Operating Temperature		0°C ~ +60°C	
Storage Temperature		-20°C ~ +70°C	
(6) Input Power		> 1 Watt	

(7) Measuring Circuit: ※Easy to match Impedance S11/S22 50Ω by parallel with about(--) / (--).



Approval	Supervisor	Designer	Aperture size
C.Y.Chang	C.K.Chang	P.H.Chiang	7H3S(4*6.5)(6.65) 7H046RB5.5

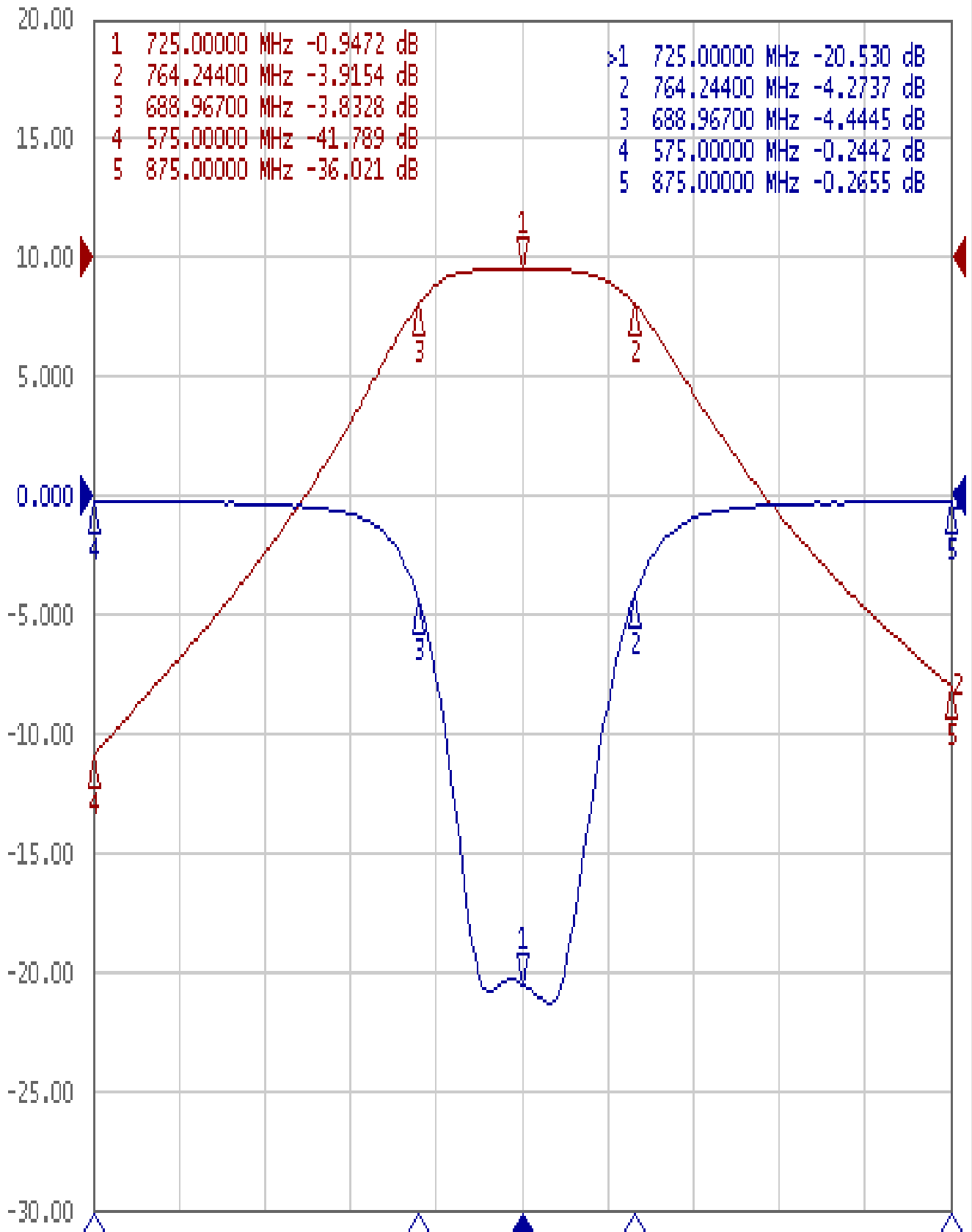
TEMWELL CORPORATION

Performance-TT67803F-725M

201007086CD

Tr1 S11 Log Mag 5.000dB/ Ref 0.000dB [F2]

Tr2 S21 Log Mag 10.00dB/ Ref 0.000dB [F2]



1 Center 725 MHz

IFBW 70 kHz

Span 300 MHz

Cor !