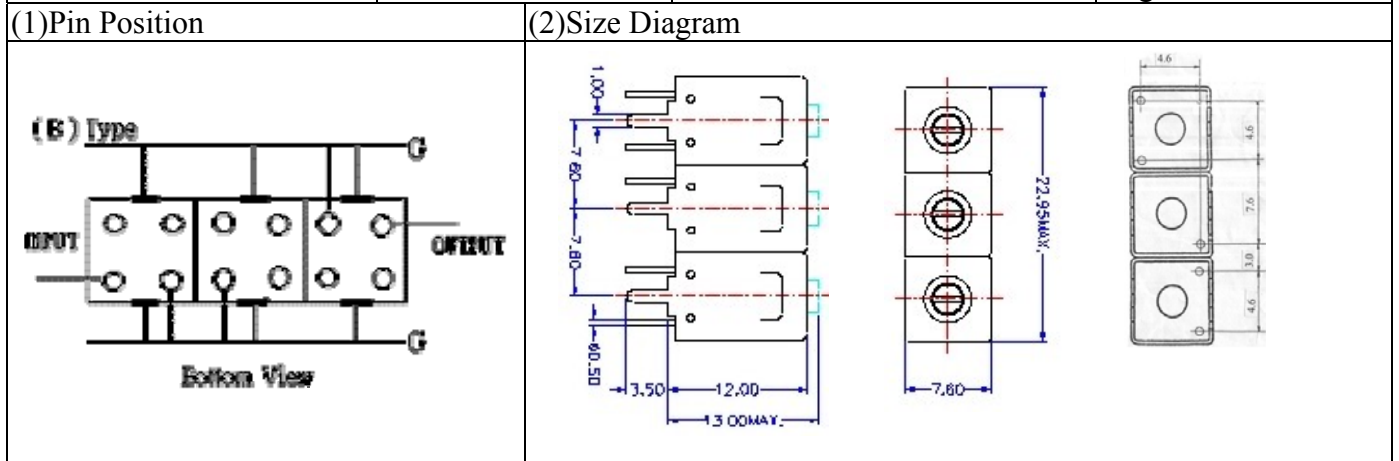


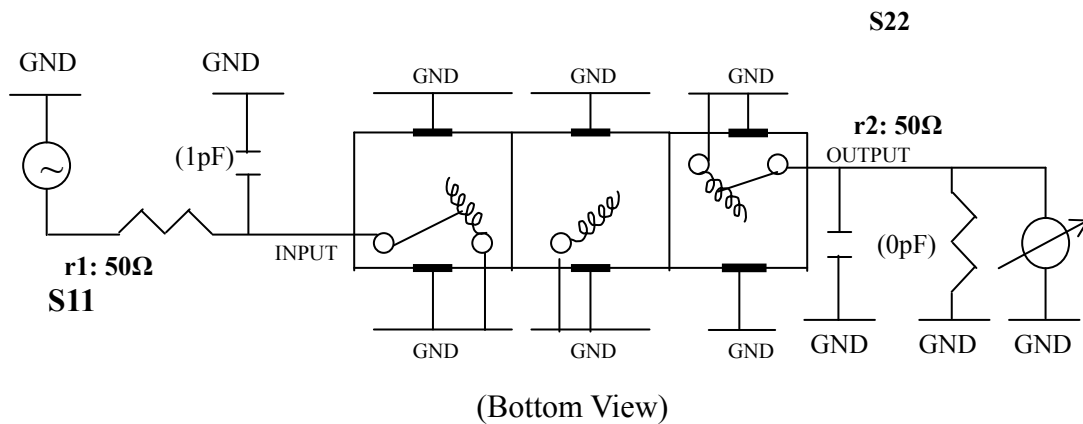
VHF UHF Helical Filter Specification Sheet

Customer Name		Temwell's Part No.	TT67803B-725M
Approval No. /dated	20507171DC	Acceptable Specify Fo Range	701~750MHz
Work Instruction No.	20507171DC	Date	Aug.03.2005



(3) Electric Character			
Item		Specify	Performance
Center Freq.(Fo) +/- 0.5 %		725 MHz	725 MHz
Tunable Range		725±3 MHz	725±3 MHz
Insertion Loss		Typ. 2.0 dB	0.97 dB
-3 dB Bandwidth		Typ. 60 MHz	72.2 MHz
Sensitivity (Attenuation)	Fo - 120 MHz	Typ. 42 dBc	45 dBc
	Fo + 120 MHz	Typ. 25 dBc	28 dBc
	Fo - ()MHz	Typ. dBc	dBc
	Fo +()MHz	Typ. dBc	dBc
Return Loss		Min. 12 dB	16.6 dB
Ripple		< 1 dB	dB
Impedance		In / Out : 50 Ω	In / Out : 50 Ω
(4) Torque for Tuning Screw		> 100gf · cm	
(5) Temperature Condition:			
Operating Temperature		0°C ~ +60°C	
Storage Temperature		-20°C ~ +70°C	
(6) Input Power		> 1Watt	

(7) Measuring Circuit: ※ Easy to match Impedance S11/S22 50Ω/by parallel with about(1 pF) / (0 pF).

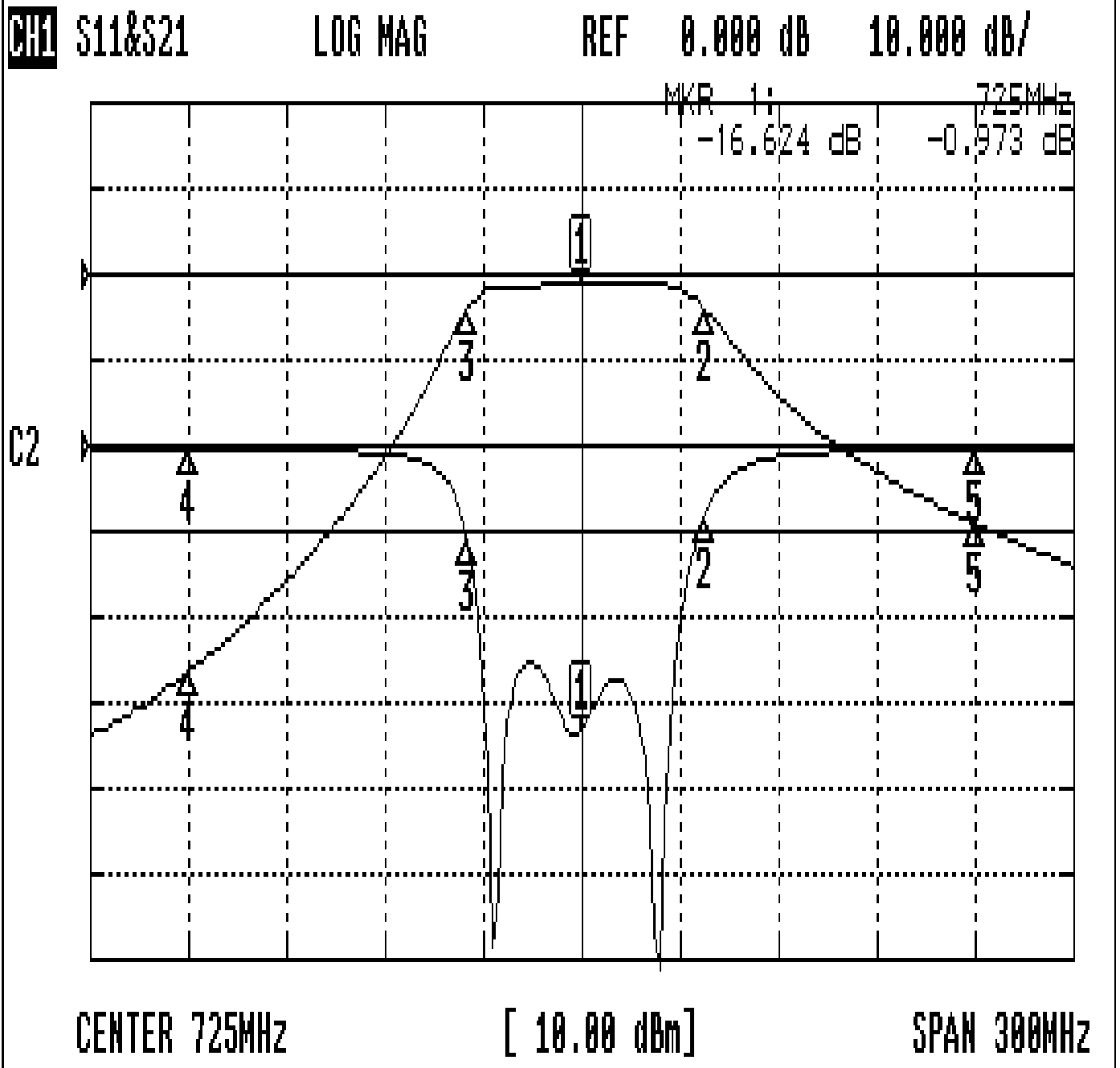


Approval	Supervisor	Designer	Aperture size
C.Y. Chang	C.S. Chang	W.W. Wang	7H3S(4*7.5)F 7H046RB5.5

TEMWELL CORPORATION

Performance-TT67803B-725M

20507171DC



CH1 MARKER LIST

1:	725.000MHz	-16.624 dB	-0.973 dB
2:	762.500MHz	-4.088 dB	-3.982 dB
3:	690.250MHz	-5.537 dB	-4.085 dB
4:	605.000MHz	-0.237 dB	-46.273 dB
5:	845.000MHz	-0.282 dB	-29.138 dB