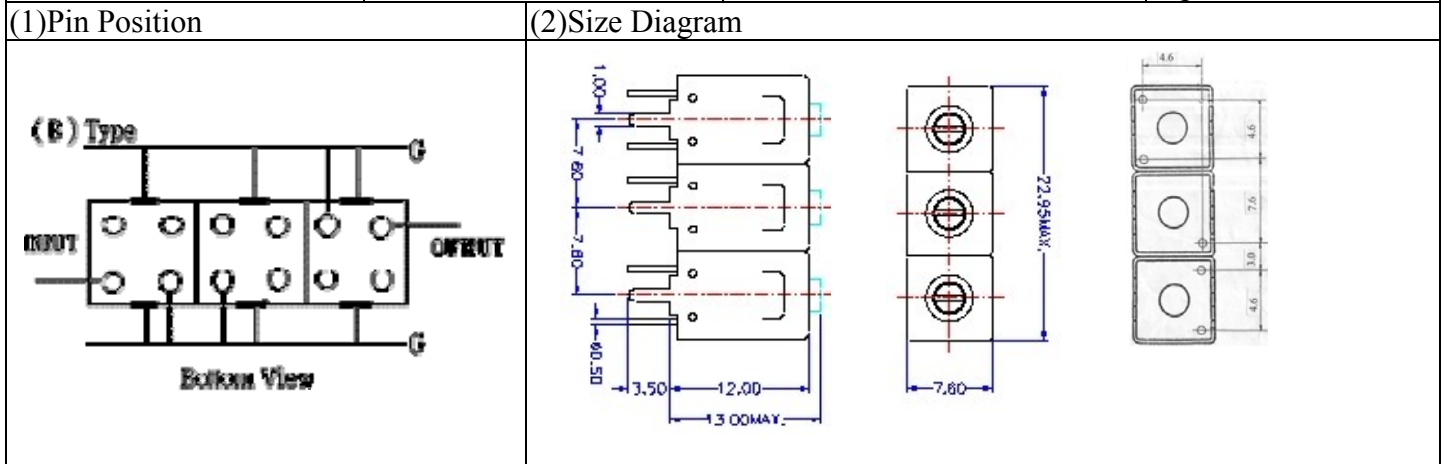


VHF UHF Helical Filter Specification Sheet

Customer Name		Temwell's Part No.	TT67802B-1275M
Approval No. /dated	20507170DC	Acceptable Specify Fo Range	1251~1300MHz
Work Instruction No.	20507170DC	Date	Sep.29.2005



(3)Electric Character					
Item		Specify		Performance	
Center Freq.(Fo) +/- 0.5 %		1275 MHz		1275 MHz	
Tunable Range		1275±5 MHz		1275±5 MHz	
Insertion Loss		Typ. 3.0 dB		1.86 dB	
-3 dB Bandwidth		Typ. 53 MHz		66.5 MHz	
Sensitivity (Attenuation)	Fo - 100 MHz	Typ. 32 dBc		35 dBc	
	Fo + 100 MHz	Typ. 21 dBc		24 dBc	
	Fo - ()MHz	Typ. dBc		dBc	
	Fo +()MHz	Typ. dBc		dBc	
Return Loss		Min. 12 dB		16.5 dB	
Ripple		< 1 dB		dB	
Impedance		In / Out : 50 Ω		In / Out : 50 Ω	

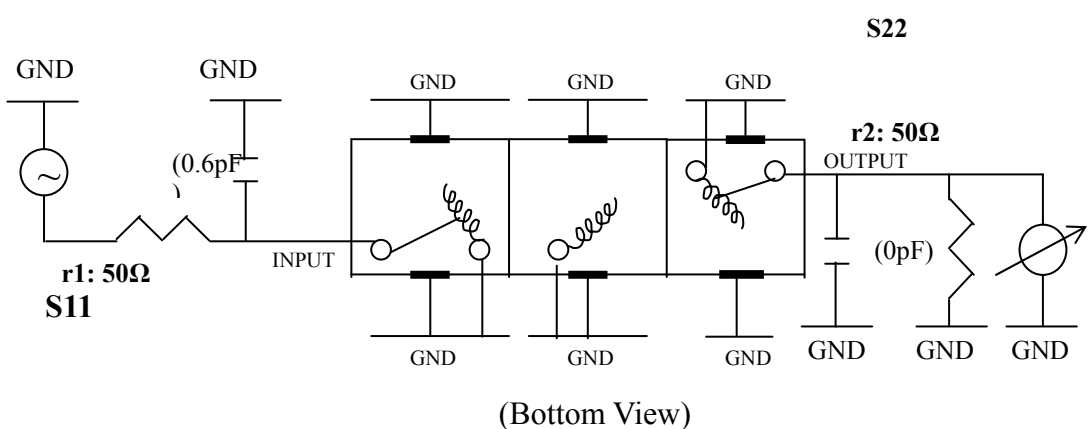
(4)Torque for Tuning Screw > 100gf · cm

(5)Temperature Condition:

Operating Temperature	0°C ~ +60°C
Storage Temperature	-20°C ~ +70°C

(6)Input Power > 1Watt

(7)Measuring Circuit: ※Easy to match Impedance S11/S22 50Ω/by parallel with about(0.6pF) / (0 pF).

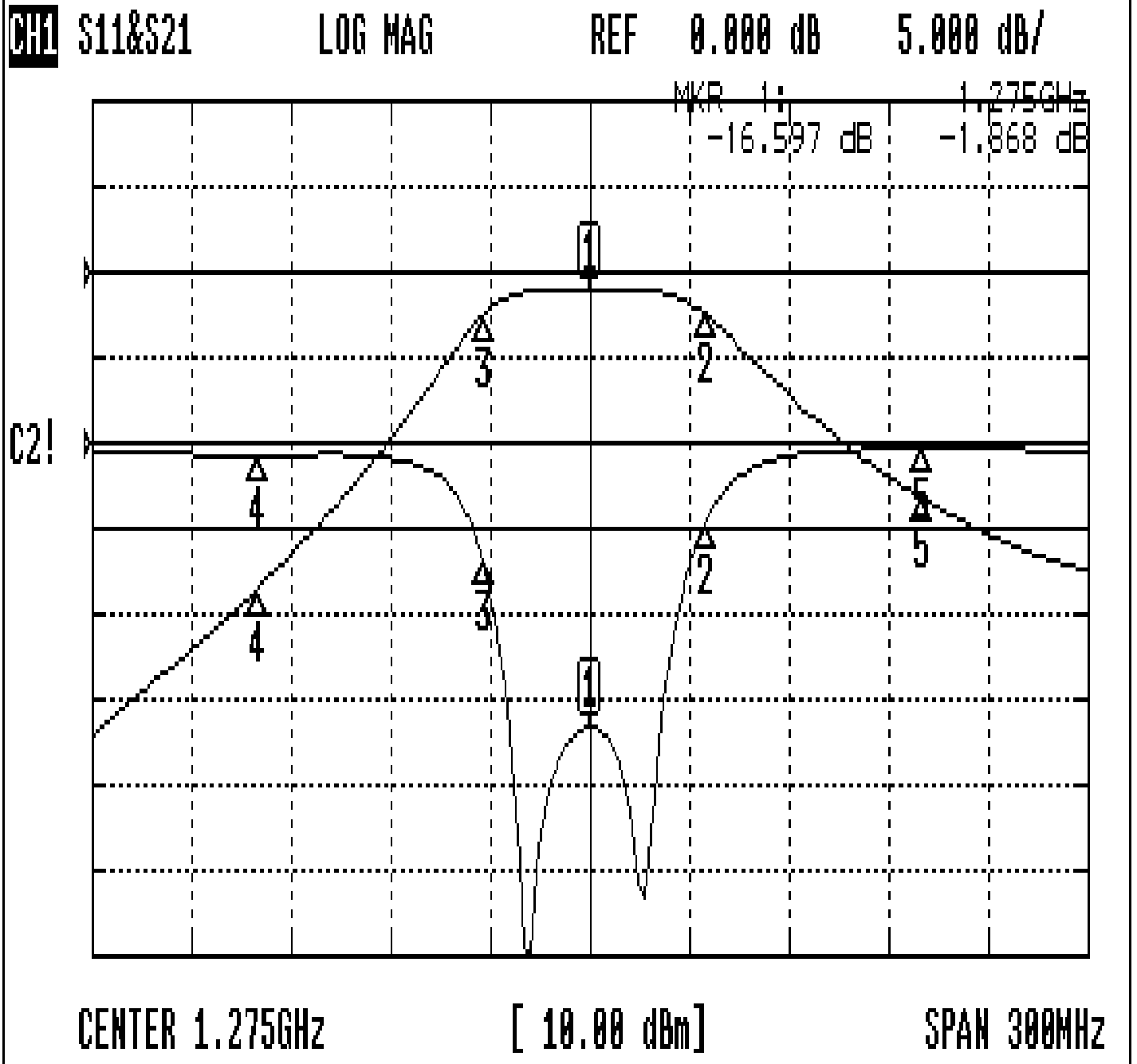


Approval	Supervisor	Designer	Aperture size
C.Y. Chang	C.S. Chang	C.S. Chang	7H3(4*5.5) 7H046LB5.5

TEMWELL CORPORATION

Performance-TT67802B-1275M

20507170DC



CH1 MARKER LIST

1:	1.275 000GHz	-16.597 dB	-1.868 dB
2:	1.309 500GHz	-4.809 dB	-4.841 dB
3:	1.243 000GHz	-7.006 dB	-4.879 dB
4:	1.175 000GHz	-0.719 dB	-36.968 dB
5:	1.375 000GHz	-0.173 dB	-26.415 dB