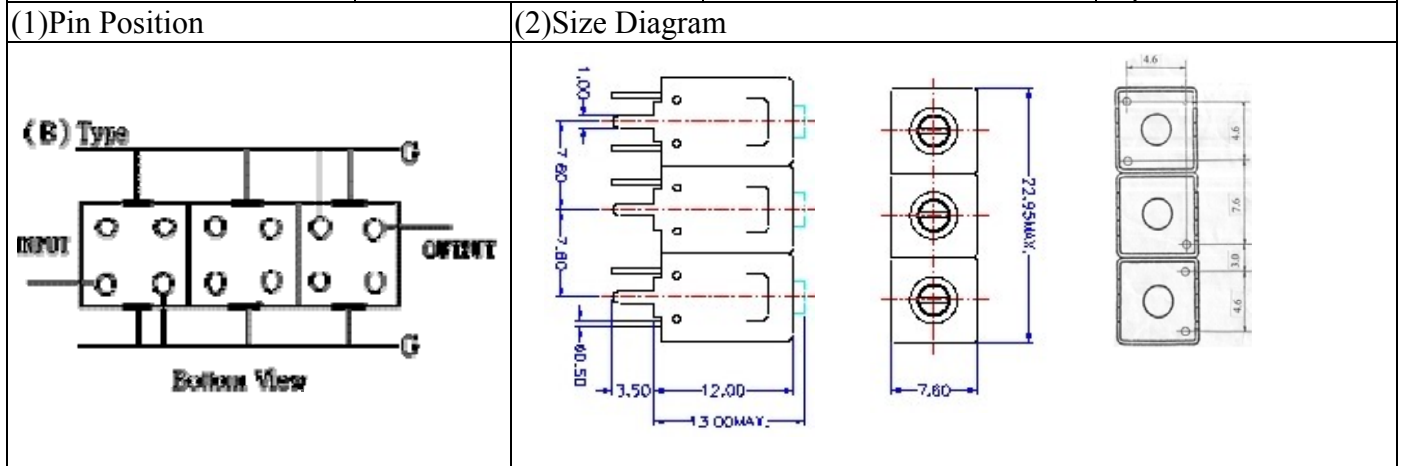


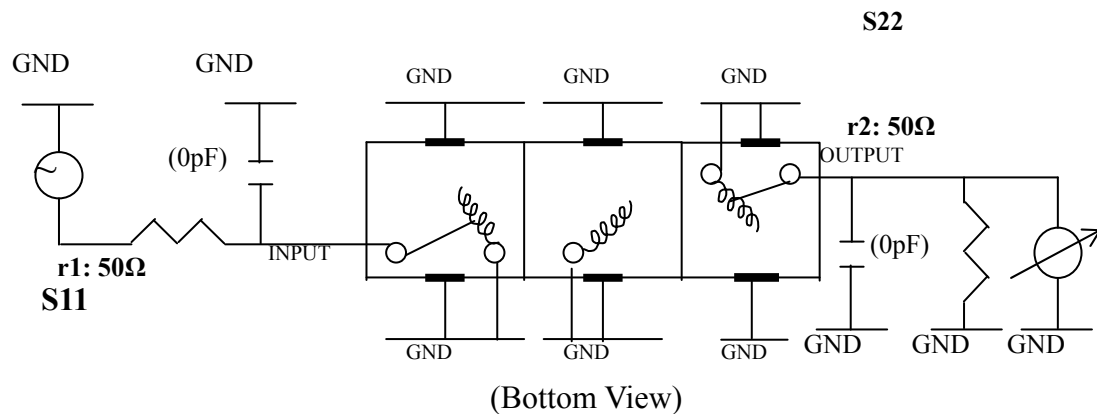
VHF UHF Helical Filter Specification Sheet

Customer Name		Temwell's Part No.	TT67800B-880M
Approval No. /dated	20507168DC	Acceptable Specify Fo Range	861~900MHz
Work Instruction No.	20507168DC	Date	Sep.12.2005



(3) Electric Character			
Item		Specify	Performance
Center Freq.(Fo) +/- 0.5 %		880 MHz	880 MHz
Tunable Range		880±5 MHz	880±5 MHz
Insertion Loss		Typ. 2.5 dB	1.33 dB
-3 dB Bandwidth		Typ. 50 MHz	59.3 MHz
Sensitivity (Attenuation)	Fo - 140 MHz	Typ. 40 dBc	43 dBc
	Fo + 140 MHz	Typ. 24 dBc	26 dBc
	Fo - ()MHz	Typ. dBc	dBc
	Fo +()MHz	Typ. dBc	dBc
Return Loss		Min. 12 dB	25 dB
Ripple		< 1 dB	dB
Impedance		In / Out : 50 Ω	In / Out : 50 Ω
(4) Torque for Tuning Screw		> 100gf · cm	
(5) Temperature Condition:			
Operating Temperature		0°C ~ +60°C	
Storage Temperature		-20°C ~ +70°C	
(6) Input Power		> 1Watt	

(7) Measuring Circuit: ※Easy to match Impedance S11/S22 50Ω/by parallel with about(0 pF) / (0 pF).



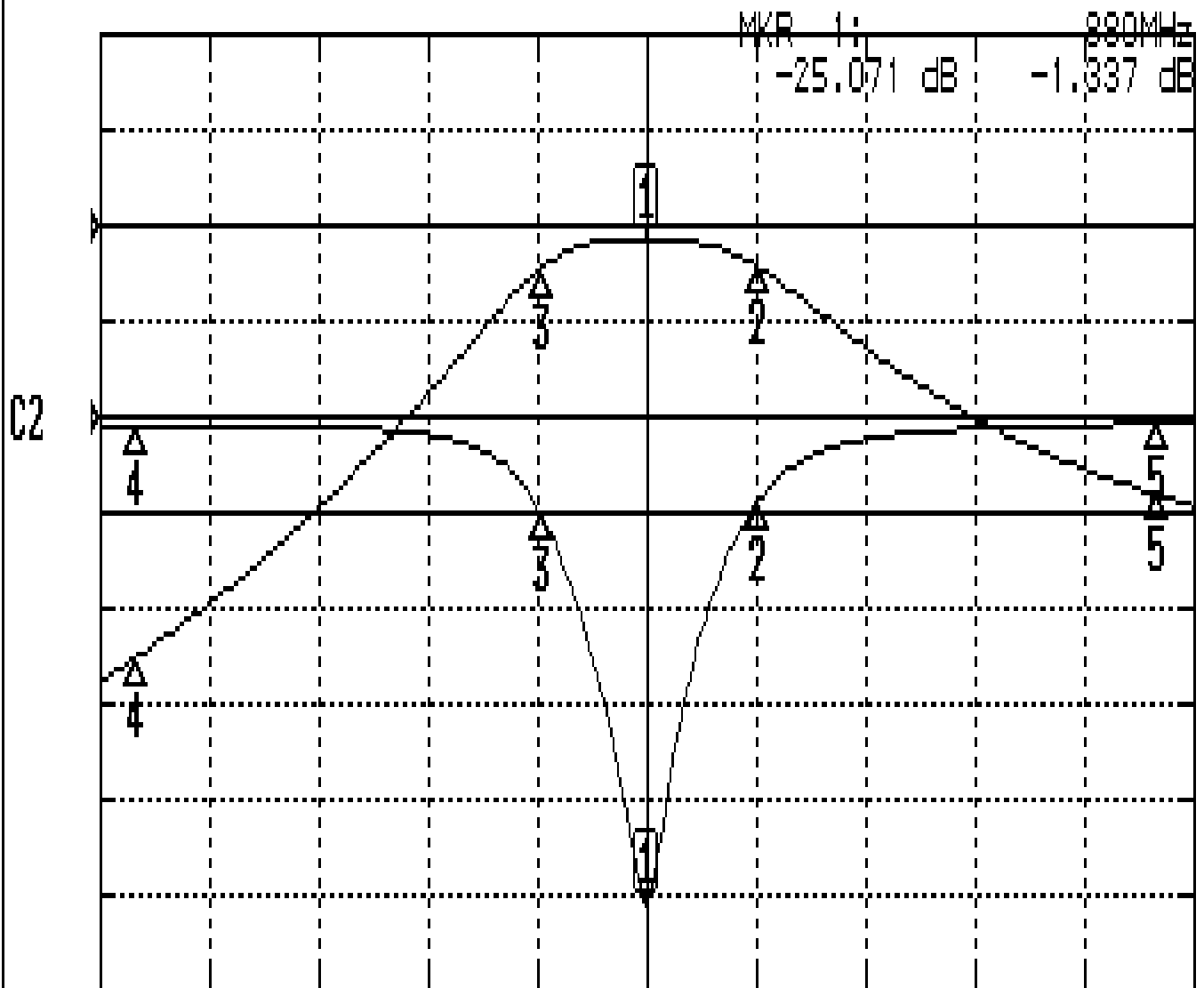
Approval	Supervisor	Designer	Aperture size
C.Y. Chang	C.S. Chang	W.W. Wang	7H3S(4*6.5)(6.58)F 7H046RB5.5

TEMWELL CORPORATION

Performance-TT67800B-880M

20507168DC

CH1 S11&S21 LOG MAG REF 0.324 dB 5.000 dB/



CENTER 880MHz

[10.00 dBm]

SPAN 300MHz

CH1 MARKER LIST

1:	880.000MHz	-25.071 dB	-1.337 dB
2:	910.500MHz	-4.111 dB	-4.323 dB
3:	851.250MHz	-4.747 dB	-4.403 dB
4:	740.000MHz	-0.088 dB	-44.991 dB
5:	1.020 000GHz	-0.021 dB	-28.148 dB