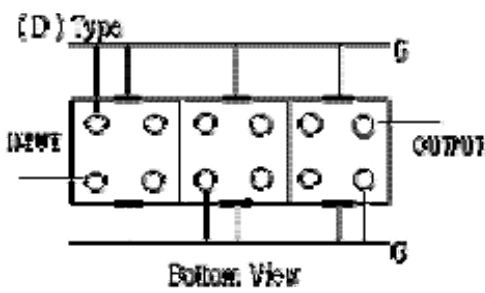
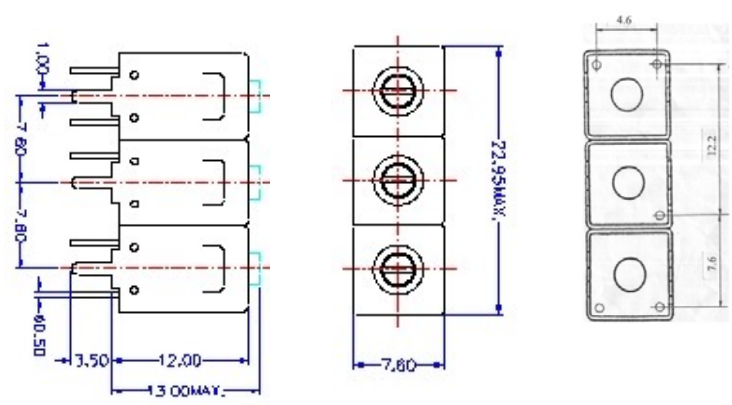


VHF UHF Helical Filter Specification Sheet

Customer Name		Temwell's Part No.	TT6779D-620M
Approval No. /dated	2008026B	Acceptable Specify Fo. Range	596~640M
Work Instruction No.	2008026B	Date	2000.08.07

<p>(1) Pin Position</p> 	<p>(2) Size Diagram</p> 
---	--

(3) Electric Character

Item	Specify	Performance
Center Freq.(Fo) +/- 0.5 %	620 MHz	620 MHz
Tunable Range:	620±5 MHz	620±5 MHz
Insertion Loss	Typ. 3.0 dB	1.8 dB
-3 dB Bandwidth	Typ. 22 MHz	26 MHz
Sensitivity (Attenuation)	Fo - 50 MHz	Typ. 41 dBc
	Fo + 50 MHz	Typ. 28 dBc
	Fo - ()MHz	Typ. dBc
	Fo +()MHz	Typ. dBc
Return Loss	Min. 12 dB	20.2 dB
Ripple	< 1 dB	dB
Impedance	In / Out : 50 Ω	In / Out : 50 Ω

(4) Torque for Tuning Screw > 100gf • cm

(5) Temperature Condition:

Operating Temperature	0°C ~ +60°C
Storage Temperature	-20°C ~ +70°C

(6) Input Power > 1Watt

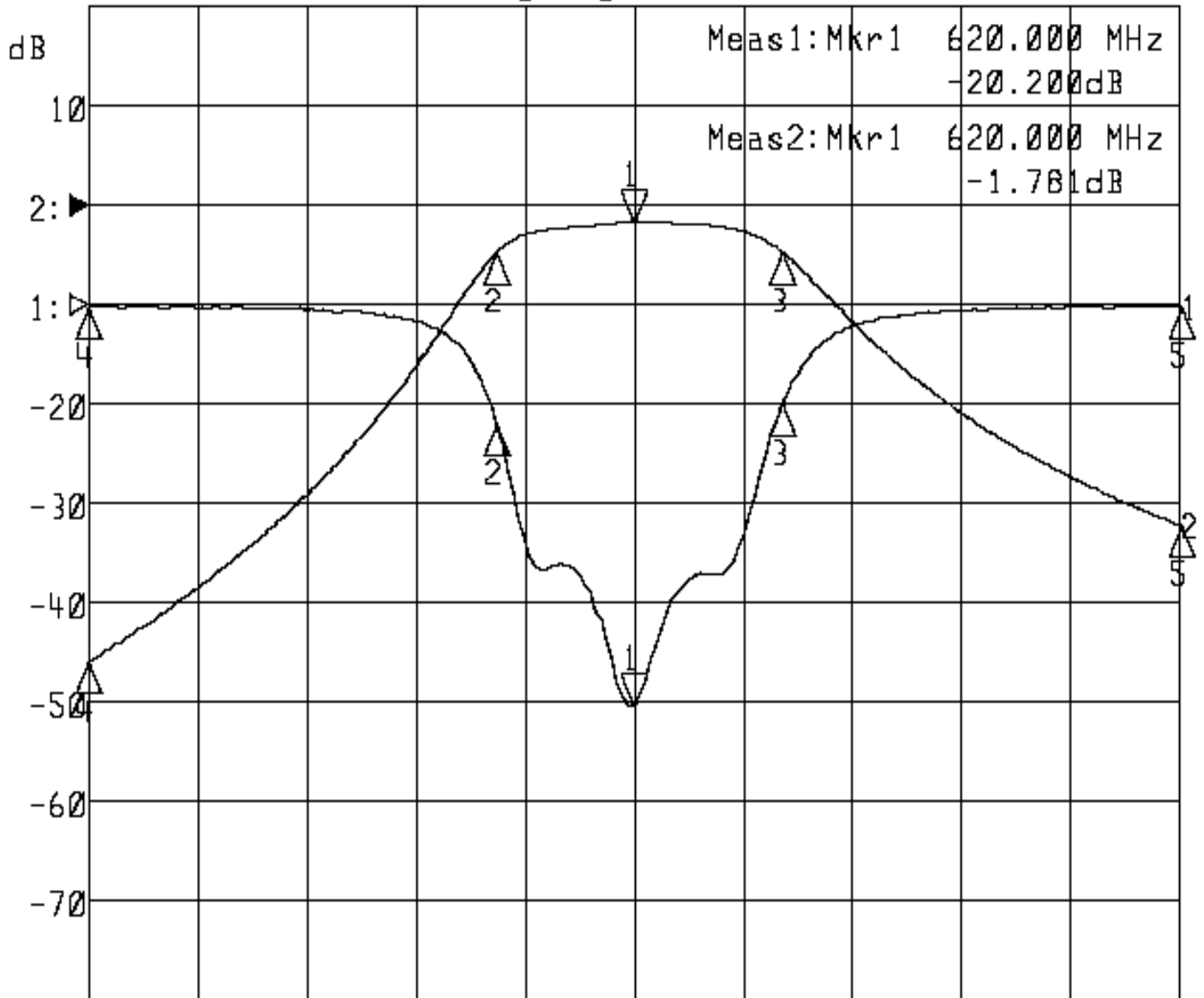
Approval	Supervisor	Designer	Aperture size
C. Y.Chang	C.S.Chang	C.S.Chang	7H3S,4*5.5 7H046LB4 聚 3

TEMWELL CORPORATION

Performance-TT6779D-620M

2008026B

►1:S11 Refl Port1 Log Mag 5.0 dB/ Ref 0.00 dB C
►2:S21 Fwd Trans Log Mag 10.0 dB/ Ref 0.00 dB C



Center 620.000 MHz

Span 100.000 MHz

1:Mkr (MHz)	dB	2:Mkr (MHz)	dB
1> 620.0000	-20.200	1> 620.0000	-1.781
2: 607.4000	-5.954	2: 607.4000	-4.744
3: 633.6000	-5.004	3: 633.6000	-4.711
4: 570.0000	-0.068	4: 570.0000	-46.072
5: 670.0000	-0.074	5: 670.0000	-32.170