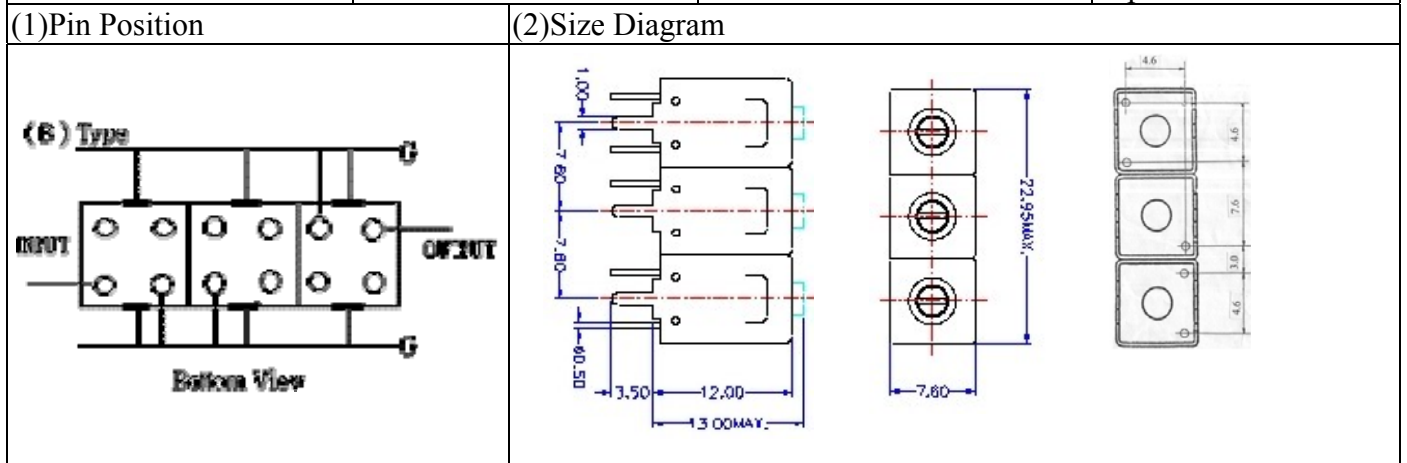


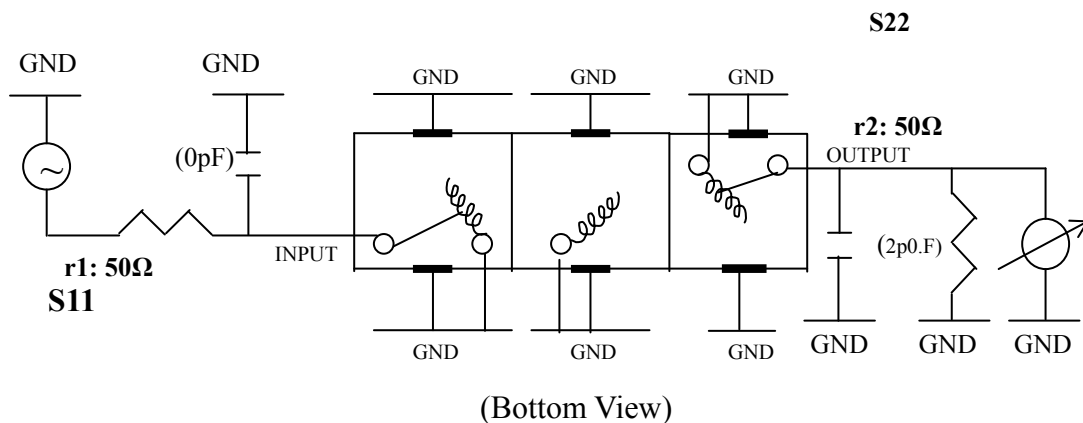
VHF UHF Helical Filter Specification Sheet

Customer Name		Temwell's Part No.	TT67797B-775M
Approval No. /dated	20507165DC	Acceptable Specify Fo Range	751~800MHz
Work Instruction No.	20507165DC	Date	Sep.10.2005



(3) Electric Character					
Item		Specify		Performance	
Center Freq.(Fo) +/- 0.5 %		775 MHz		775 MHz	
Tunable Range		775±5 MHz		775±5 MHz	
Insertion Loss		Typ. 2.0 dB		1.15 dB	
-3 dB Bandwidth		Typ. 50 MHz		59.8 MHz	
Sensitivity (Attenuation)	Fo -120 MHz	Typ. 43 dBc		46 dBc	
	Fo +120 MHz	Typ. 27 dBc		30 dBc	
	Fo - ()MHz	Typ. dBc		dBc	
	Fo +()MHz	Typ. dBc		dBc	
Return Loss		Min. 12 dB		25.2 dB	
Ripple		< 1 dB		dB	
Impedance		In / Out : 50 Ω		In / Out : 50 Ω	
(4) Torque for Tuning Screw		> 100gf · cm			
(5) Temperature Condition:					
Operating Temperature		0°C ~ +60°C			
Storage Temperature		-20°C ~ +70°C			
(6) Input Power		> 1 Watt			

(7) Measuring Circuit: ※Easy to match Impedance S11/S22 50Ω/by parallel with about(0 pF) / (0.2pF).

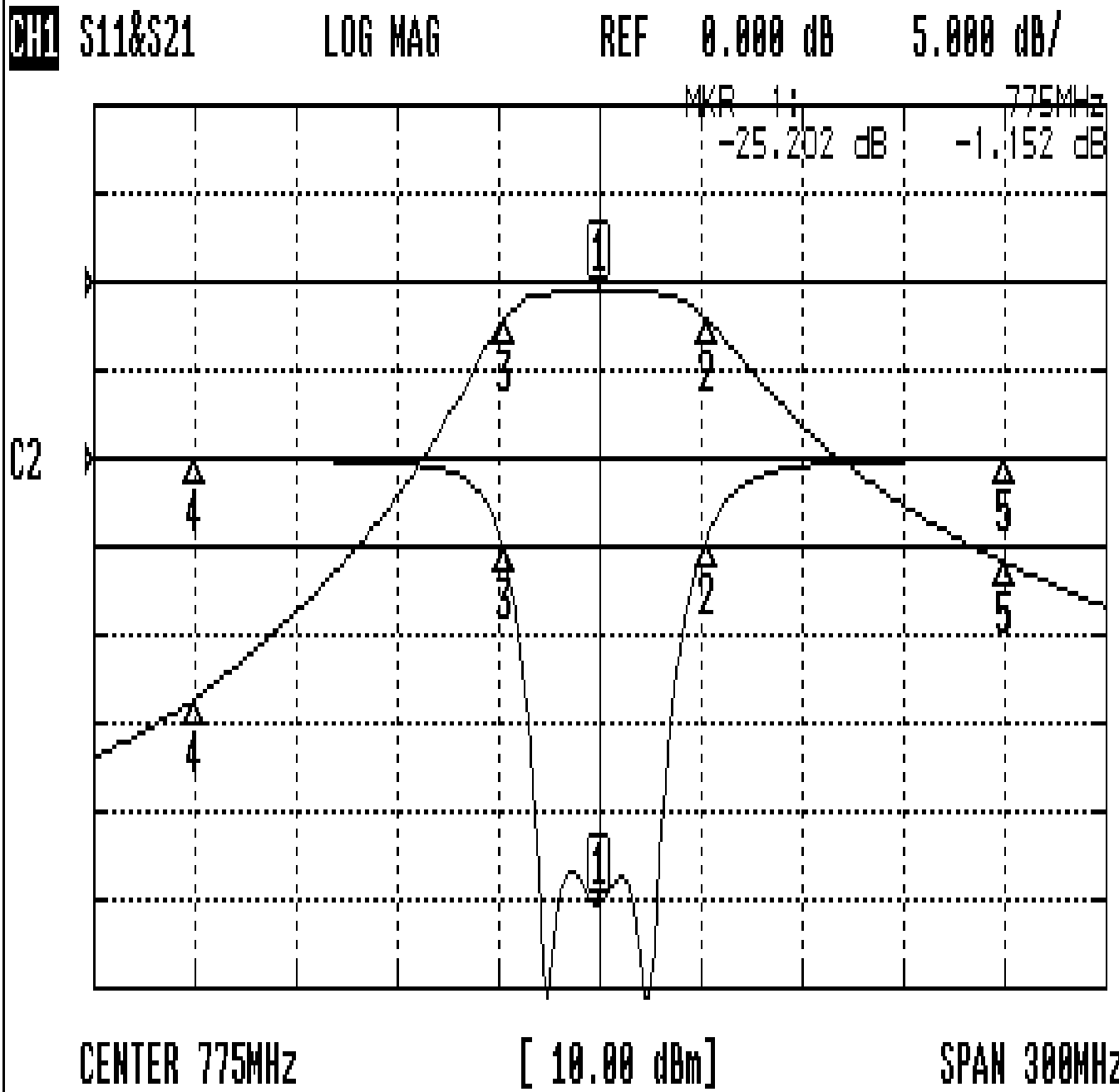


Approval	Supervisor	Designer	Aperture size
C.Y. Chang	C.S. Chang	W.W. Wang	7H3S(4*6.5)(6.58)F 7H046RB5.5

TEMWELL CORPORATION

Performance-TT67797B-775M

20507165DC



CH1 MARKER LIST

1:	775.000MHz	-25.202 dB	-1.152 dB
2:	806.500MHz	-4.631 dB	-4.102 dB
3:	746.750MHz	-5.200 dB	-4.166 dB
4:	655.000MHz	-0.065 dB	-47.147 dB
5:	895.000MHz	-0.049 dB	-31.812 dB