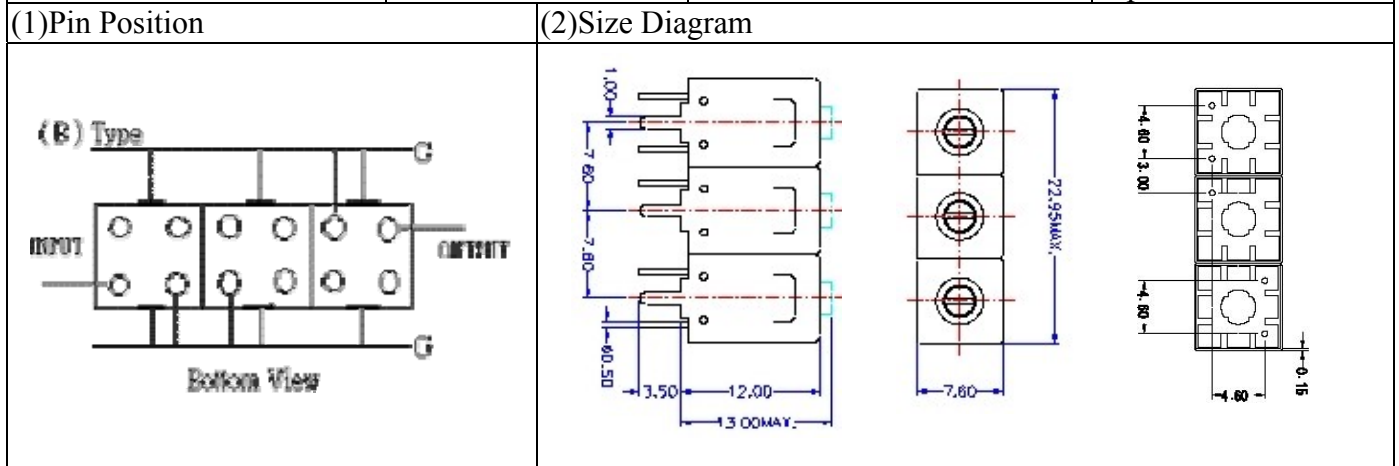
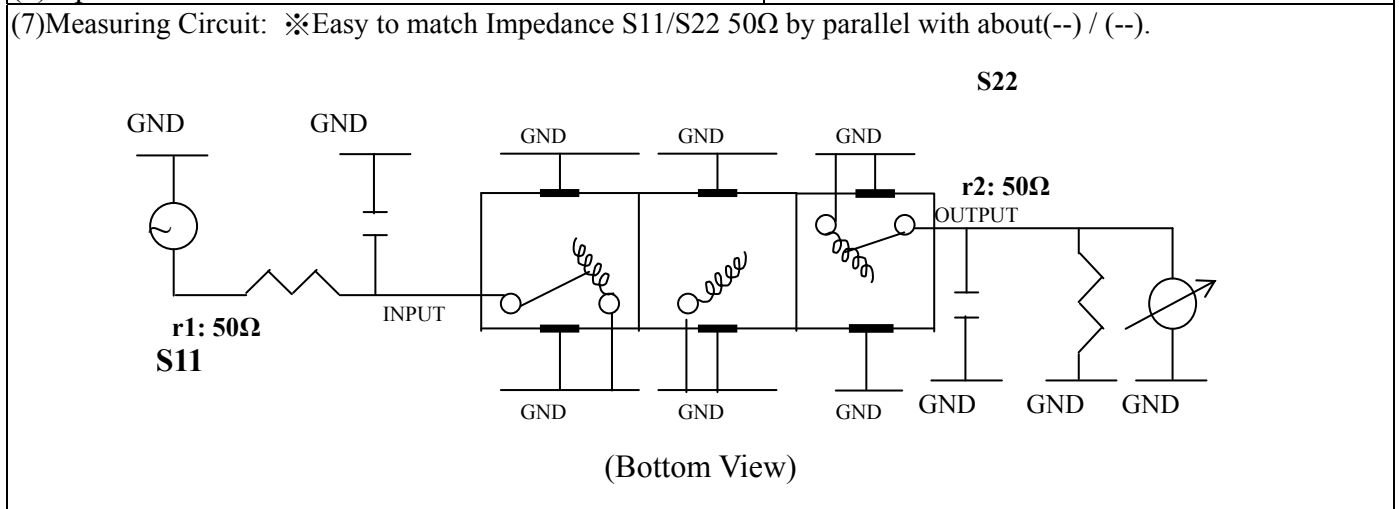


# VHF UHF Helical Filter Specification Sheet

Customer Name		Temwell's Part No.	TT67795B-1275M
Approval No. /dated		Temwell's Print Name.	67795B 1275M
Work Instruction No.	201007007CD	Date	Sep.10.2010



(3) Electric Characteristic			
Item	Specify	Performance	
Center Freq.(Fo) +/-0.5 %	1275 MHz	1275	MHz
Insertion Loss	Typ. 3.0 dB	1.92	dB
-3 dB Bandwidth	Typ. 40 MHz	51.4	MHz
Sensitivity (Attenuation)	Fo - 100 MHz	Typ. 36	dBc
	Fo + 100 MHz	Typ. 26	dBc
	Fo - ( )MHz	Typ.	dBc
	Fo +( )MHz	Typ.	dBc
Return Loss	Min. 12 dB	25.0	dB
Ripple	< 1 dB		dB
Impedance	In / Out : 50 Ω	In / Out : 50 Ω	
(4) Torque for Tuning Screw			
> 100gf • cm			
(5) Temperature Condition:			
Operating Temperature	0°C ~ +60°C		
Storage Temperature	-20°C ~ +70°C		
(6) Input Power			
> 1Watt			



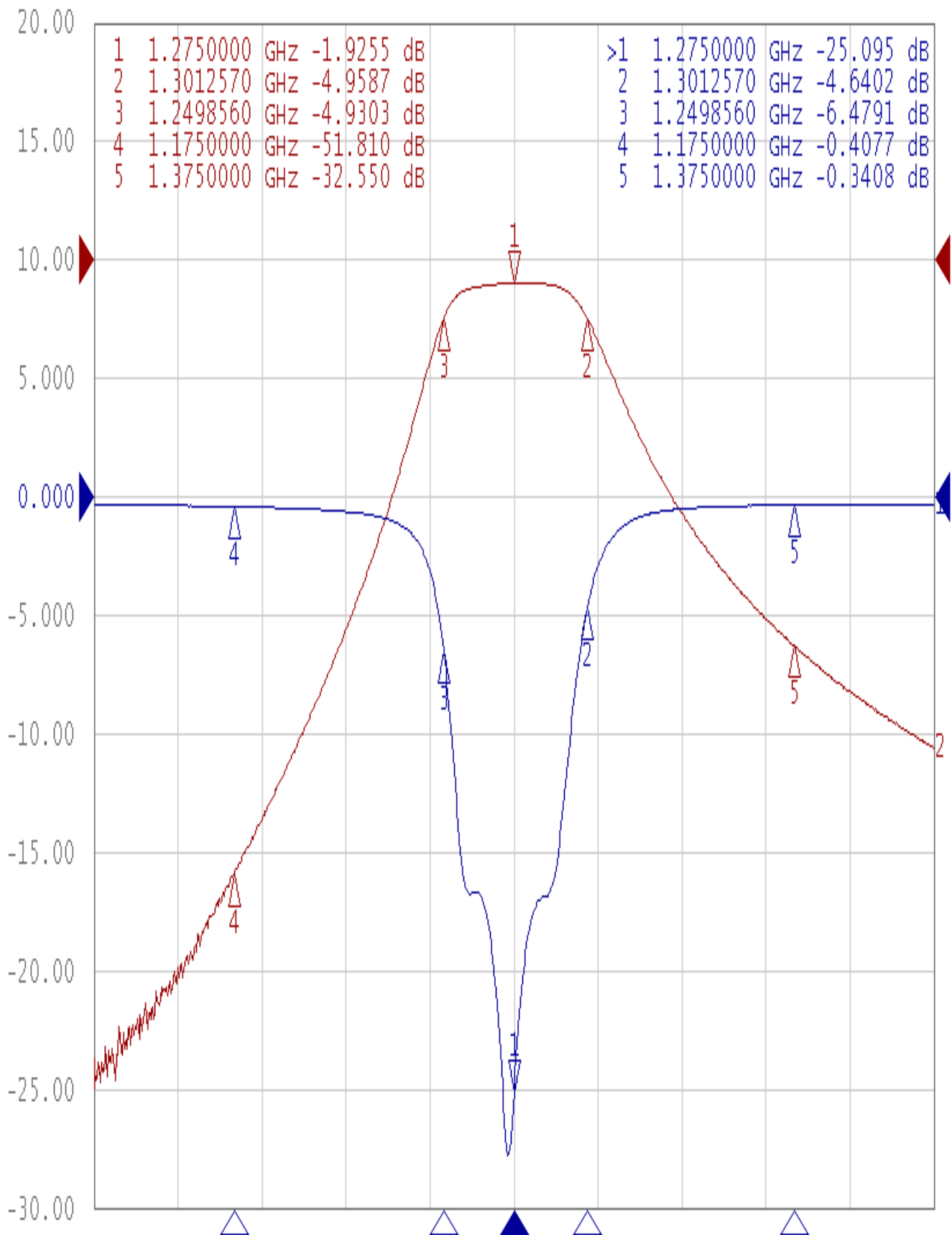
Approval C.Y.Chang	Supervisor C.K.Chang	Designer C.S.Chang	Aperture size 7H3S(4*8.0)(8.02) (7H046RB4.3 聚 3)
-----------------------	-------------------------	-----------------------	--

TEMWELL CORPORATION

# Performance-TT67795B-1275M

201007007CD

▶ Tr1 S11 Log Mag 5.000dB/ Ref 0.000dB [F2]  
Tr2 S21 Log Mag 10.00dB/ Ref 0.000dB [F2]



1 Center 1.275 GHz

IFBW 10 kHz

Span 300 MHz Cor !