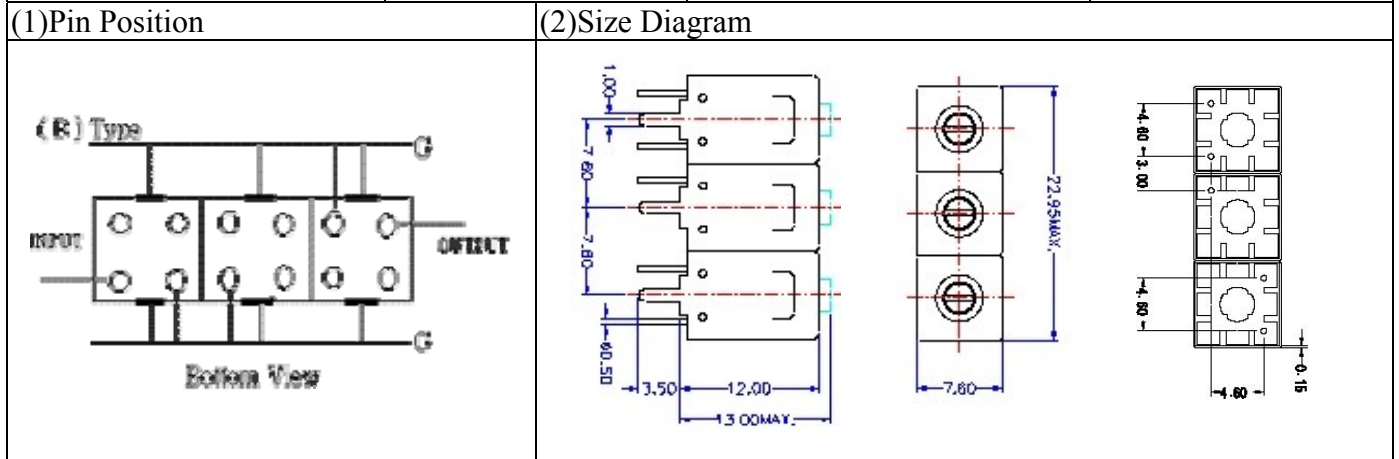
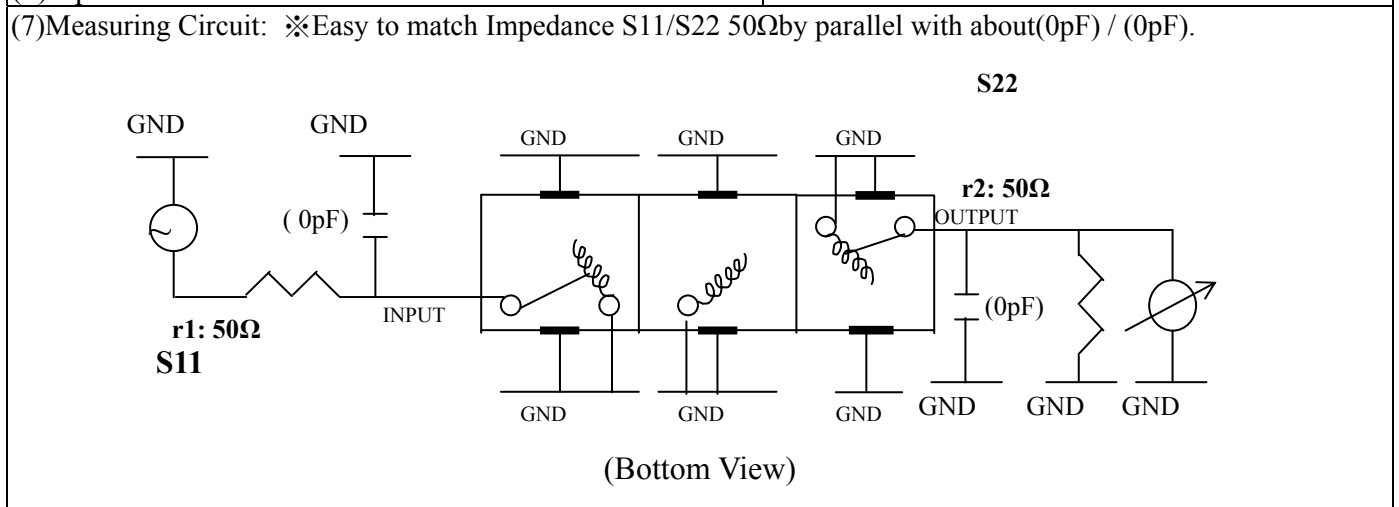


VHF UHF Helical Filter Specification Sheet

Customer Name		Temwell's Part No.	TT6778B-433.9M
Approval No. /dated	0903049CD	Temwell's Print name.	6778B 433.9M
Work Instruction No.	200903049CD	Date	MAR.23.2009



(3) Electric Characteristic			
Item		Specify	Performance
Center Freq.(Fo) +/- 0.5 %		433.9 MHz	433.9 MHz
Tunable Range:		433.9±5 MHz	433.9±5 MHz
Insertion Loss		Typ. 3.0 dB	1.63 dB
-3 dB Bandwidth		Typ. 21 MHz	23.2 MHz
Sensitivity (Attenuation)	Fo - (50) MHz	Typ. 46 dBc	49 dBc
	Fo + (50) MHz	Typ. 36 dBc	39 dBc
	Fo - () MHz	Typ. dBc	dBc
	Fo + () MHz	Typ. dBc	dBc
Return Loss		Min. 12 dB	45.0 dB
Ripple		< 1 dB	dB
Impedance		In / Out : 50 Ω	In / Out : 50 Ω
(4) Torque for Tuning Screw		> 100gf • cm	
(5) Temperature Condition:			
Operating Temperature		0°C ~ +60°C	
Storage Temperature		-20°C ~ +70°C	
(6) Input Power		> 1Watt	



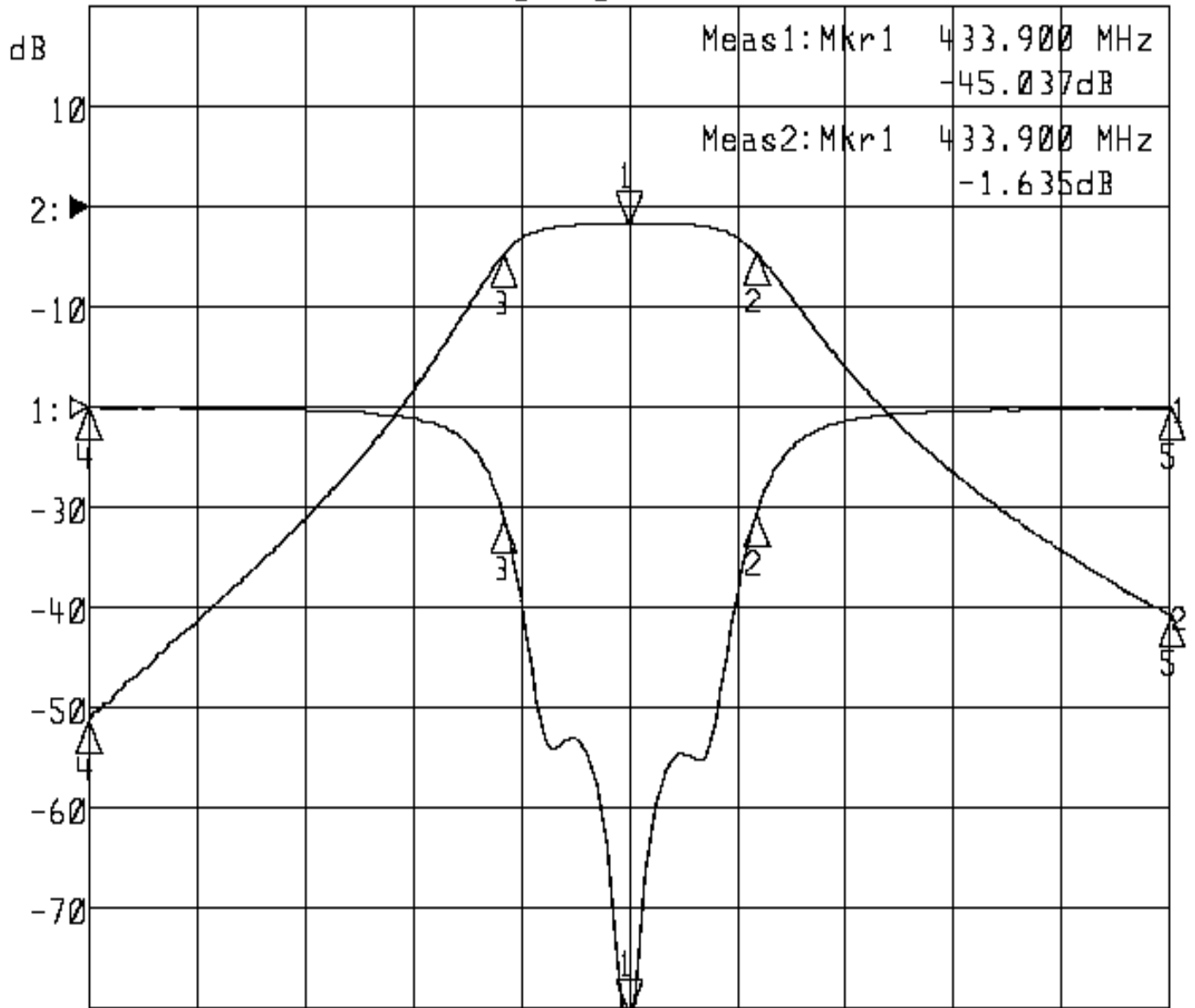
Approval C.Y.Chang	Supervisor C.K.Chang	Designer J.F.Lin	Aperture size 7H3S(4*7.5)(7.54) (7H046LB4.3 聚 3)
-----------------------	-------------------------	---------------------	--

TEMWELL CORPORATION

Performance-TT6778B-433.9M

200903049CD

▶1:S11 Refl Port1 Log Mag 5.0 dB/ Ref 0.00 dB C
▶2:S21 Fwd Trans Log Mag 10.0 dB/ Ref 0.00 dB C



Center 433.900 MHz

Span 100.000 MHz

1:Mkr (MHz)	dB	2:Mkr (MHz)	dB
1> 433.9000	-45.037	1> 433.9000	-1.635
2: 445.6667	-5.350	2: 445.6667	-4.624
3: 422.4000	-5.594	3: 422.4000	-4.676
4: 383.9000	-0.034	4: 383.9000	-51.274
5: 483.9000	-0.024	5: 483.9000	-40.785