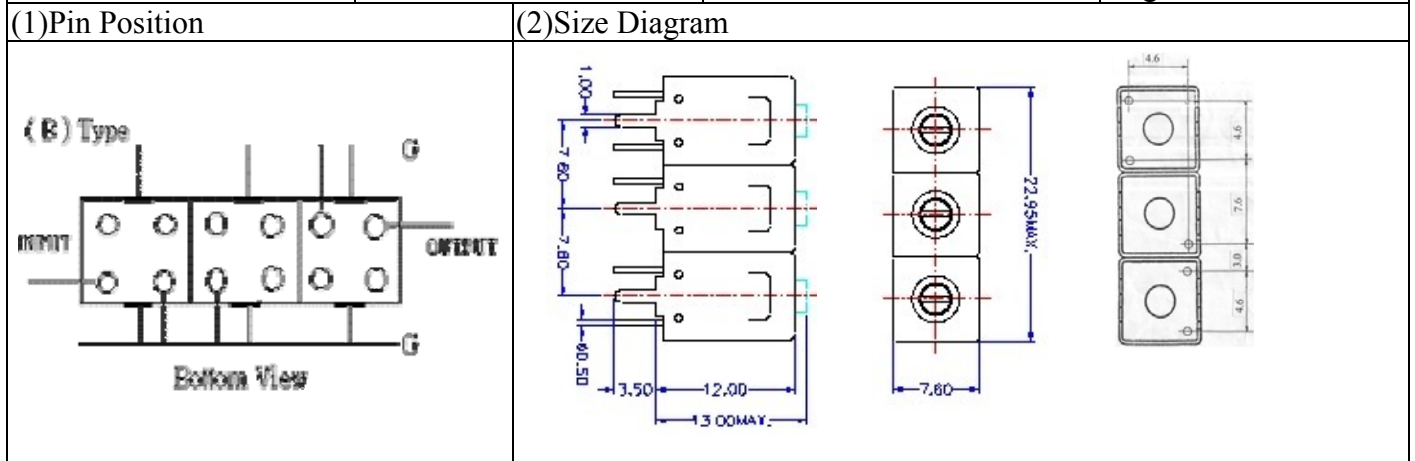


# VHF UHF Helical Filter Specification Sheet

Customer Name		Temwell's Part No.	TT67788B-1215M
Approval No. /dated	20507156DC	Acceptable Specify Fo Range	1181~1250MHz
Work Instruction No.	20507156DC	Date	Aug.26.2005



**(3) Electric Character**

Item	Specify	Performance
Center Freq.(Fo ) +/- 0.5 %	1215 MHz	1215 MHz
Tunable Range	1215±5 MHz	1215±5 MHz
Insertion Loss	Typ. 3.0 dB	1.86 dB
-3 dB Bandwidth	Typ. 35 MHz	44.9 MHz
Sensitivity (Attenuation)	Fo - 50 MHz	Typ. 22 dBc
	Fo + 50 MHz	Typ. 15 dBc
	Fo - ( )MHz	Typ. dBc
	Fo +( )MHz	Typ. dBc
Return Loss	Min. 12 dB	26.6 dB
Ripple	< 1 dB	dB
Impedance	In / Out : 50 Ω	In / Out : 50 Ω

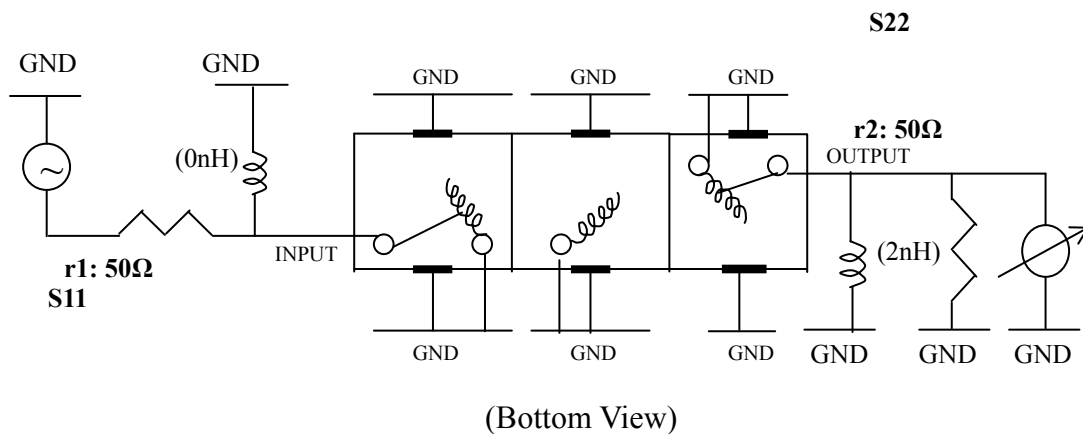
(4) Torque for Tuning Screw > 100gf · cm

**(5) Temperature Condition:**

Operating Temperature	0°C ~ +60°C
Storage Temperature	-20°C ~ +70°C

(6) Input Power > 1Watt

(7) Measuring Circuit: ※Easy to match Impedance S11/S22 50Ω by parallel with about(0 nH) / (2 nH).

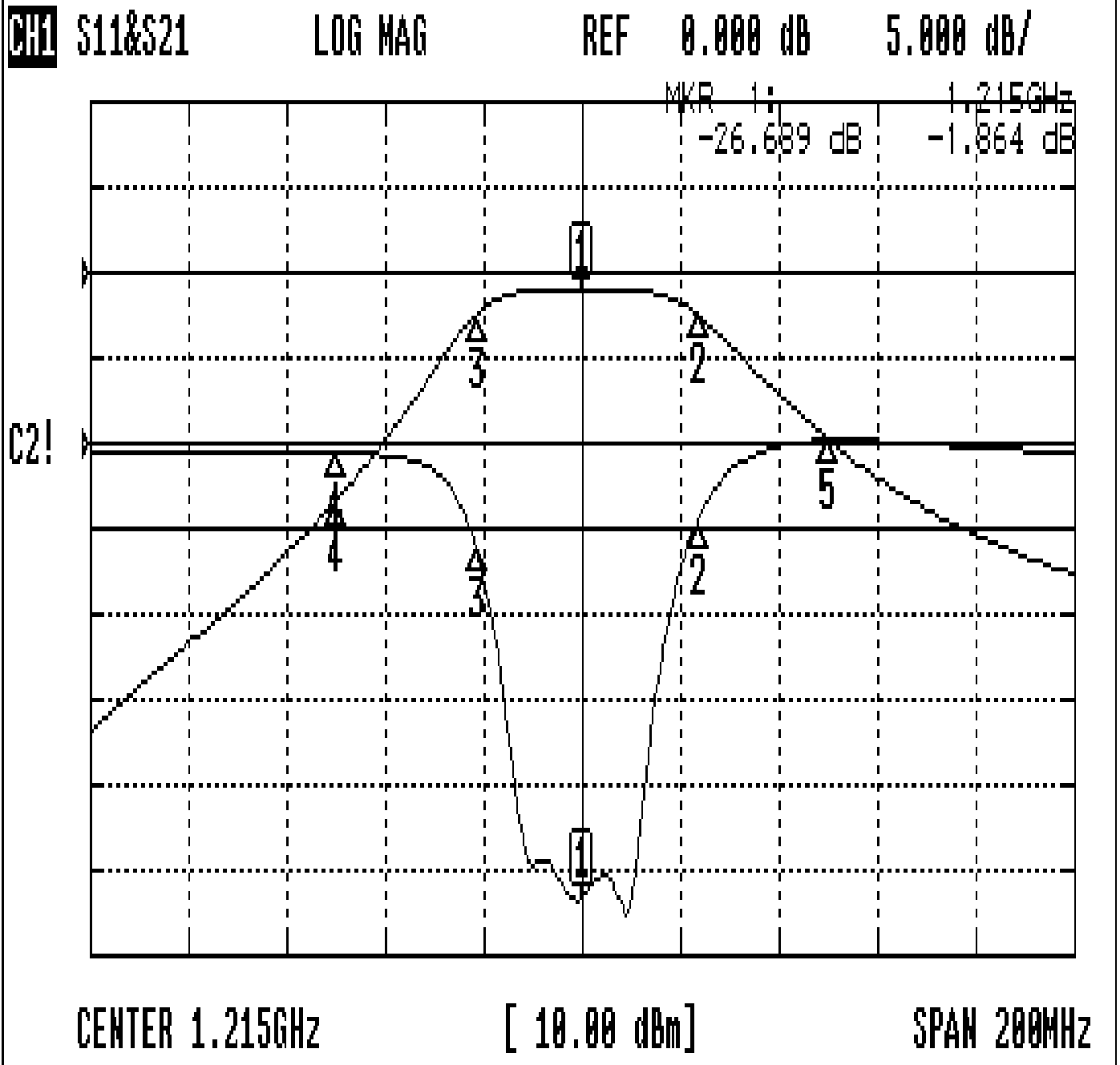


Approval	Supervisor	Designer	Aperture size
C.Y. Chang	C.S. Chang	C.S. Chang	7H3S(4*6.5) 7H046RB4

TEMWELL CORPORATION

# Performance-TT67788B-1215M

## 20507156DC



### CH1 MARKER LIST

1:	1.215 000GHz	-26.689 dB	-1.864 dB
2:	1.238 500GHz	-4.544 dB	-4.856 dB
3:	1.193 666GHz	-6.206 dB	-4.846 dB
4:	1.165 000GHz	-0.584 dB	-26.661 dB
5:	1.265 000GHz	0.179 dB	-19.611 dB