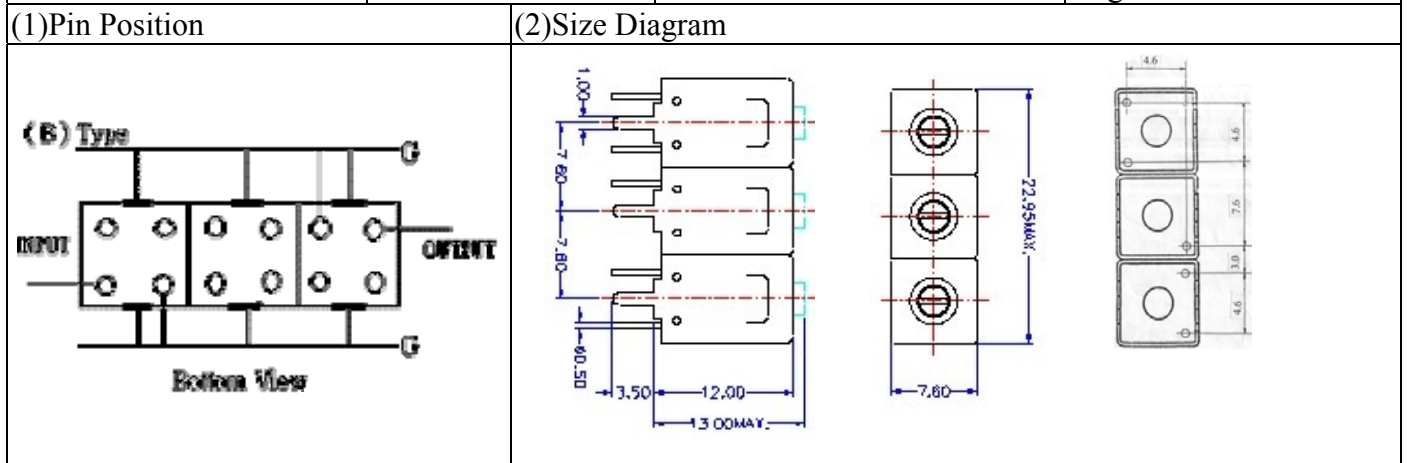


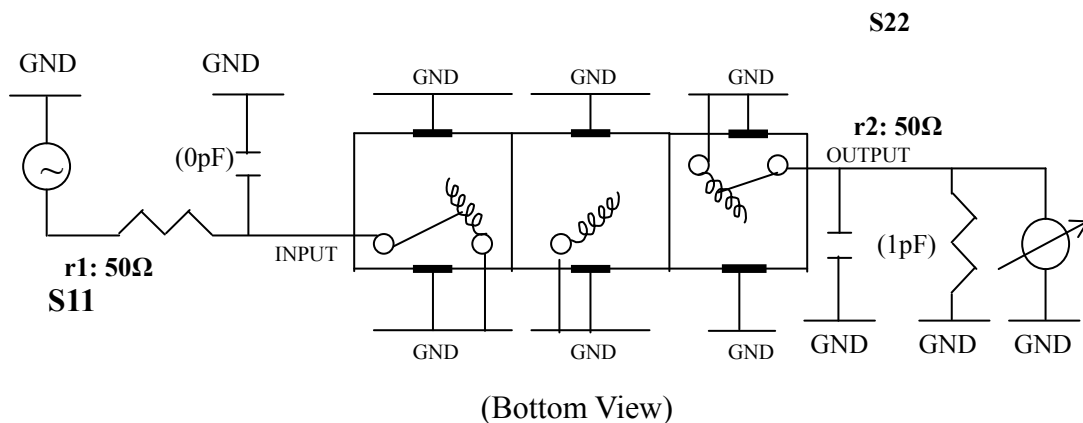
VHF UHF Helical Filter Specification Sheet

Customer Name		Temwell's Part No.	TT67783B-675M
Approval No. /dated	20507151DC	Acceptable Specify Fo Range	661~700MHz
Work Instruction No.	20507151DC	Date	Aug.02.2005



(3) Electric Character					
Item		Specify		Performance	
Center Freq.(Fo) +/- 0.5 %		675 MHz		675 MHz	
Tunable Range		675±5 MHz		675±5 MHz	
Insertion Loss		Typ. 2.5 dB		1.5 dB	
-3 dB Bandwidth		Typ. 27 MHz		31.0 MHz	
Sensitivity (Attenuation)	Fo - 100 MHz	Typ. 62 dBc		65 dBc	
	Fo + 100 MHz	Typ. 42 dBc		45 dBc	
	Fo - ()MHz	Typ. dBc		dBc	
	Fo +()MHz	Typ. dBc		dBc	
Return Loss		Min. 12 dB		42 dB	
Ripple		< 1 dB		dB	
Impedance		In / Out : 50 Ω		In / Out : 50 Ω	
(4) Torque for Tuning Screw		> 100gf · cm			
(5) Temperature Condition:					
Operating Temperature		0°C ~ +60°C			
Storage Temperature		-20°C ~ +70°C			
(6) Input Power		> 1Watt			

(7) Measuring Circuit: ※Easy to match Impedance S11/S22 50Ω/by parallel with about(0 pF) / (1 pF).

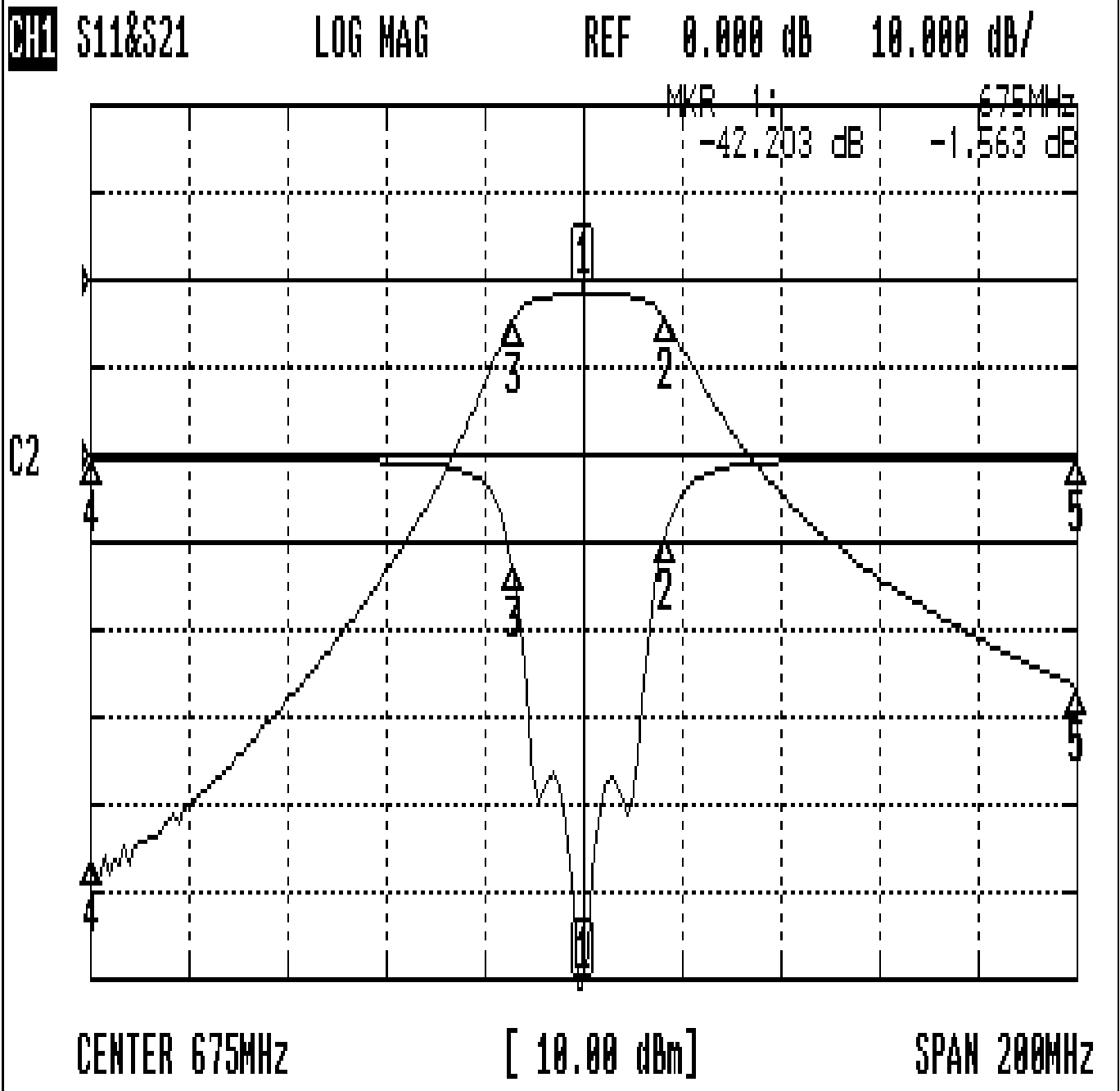


Approval	Supervisor	Designer	Aperture size
C.Y. Chang	C.S. Chang	J.F. Lin	7H3S(4*5.5)(5.60)F 7H46RB4

TEMWELL CORPORATION

Performance-TT67783B-675M

20507151DC



CH1 MARKER LIST

1:	675.000MHz	-42.203 dB	-1.564 dB
2:	691.666MHz	-4.785 dB	-4.536 dB
3:	660.666MHz	-6.298 dB	-4.609 dB
4:	575.000MHz	-0.234 dB	-66.244 dB
5:	775.000MHz	-0.256 dB	-46.603 dB