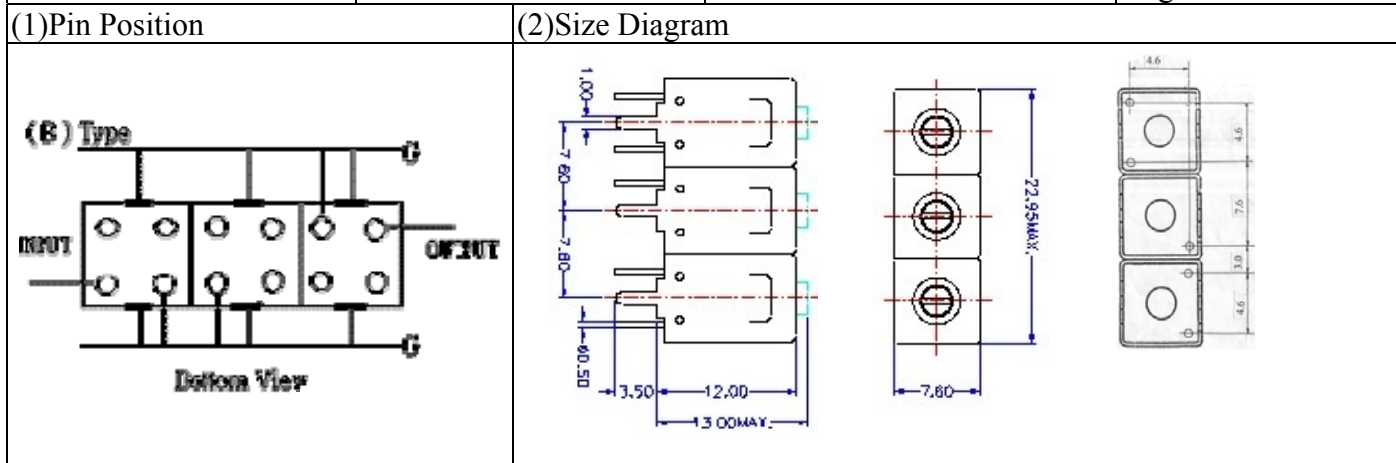


VHF UHF Helical Filter Specification Sheet

Customer Name		Temwell's Part No.	TT67781B-988M
Approval No. /dated	20507149DC	Acceptable Specify Fo Range	976~1000MHz
Work Instruction No.	20507149DC	Date	Aug.15.2005



(3) Electric Character

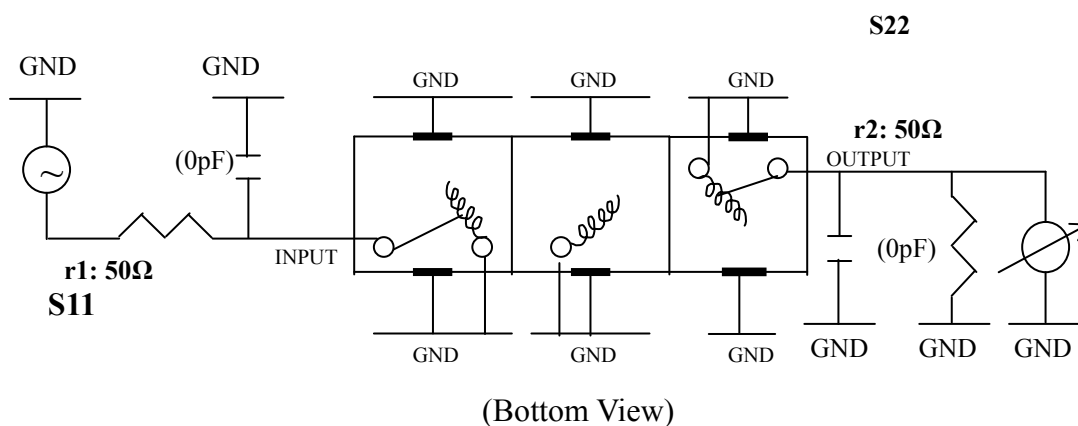
Item	Specify	Performance
Center Freq.(Fo) +/- 0.5 %	988 MHz	988 MHz
Tunable Range	988±5 MHz	988±5 MHz
Insertion Loss	Typ. 4.5 dB	3.65 dB
-3 dB Bandwidth	Typ. 15 MHz	20.2 MHz
Sensitivity (Attenuation)	Fo - 50 MHz	Typ. 33 dBc
	Fo + 50 MHz	Typ. 28 dBc
	Fo - ()MHz	Typ. dBc
	Fo +()MHz	Typ. dBc
Return Loss	Min. 12 dB	33.6 dB
Ripple	< 1 dB	dB
Impedance	In / Out : 50 Ω	In / Out : 50 Ω
(4) Torque for Tuning Screw	> 100gf • cm	

(5) Temperature Condition:

Operating Temperature	0°C ~ +60°C
Storage Temperature	-20°C ~ +70°C

(6) Input Power > 1Watt

(7) Measuring Circuit: ※Easy to match Impedance S11/S22 50Ω/by parallel with about(0 pF) / (0 pF).

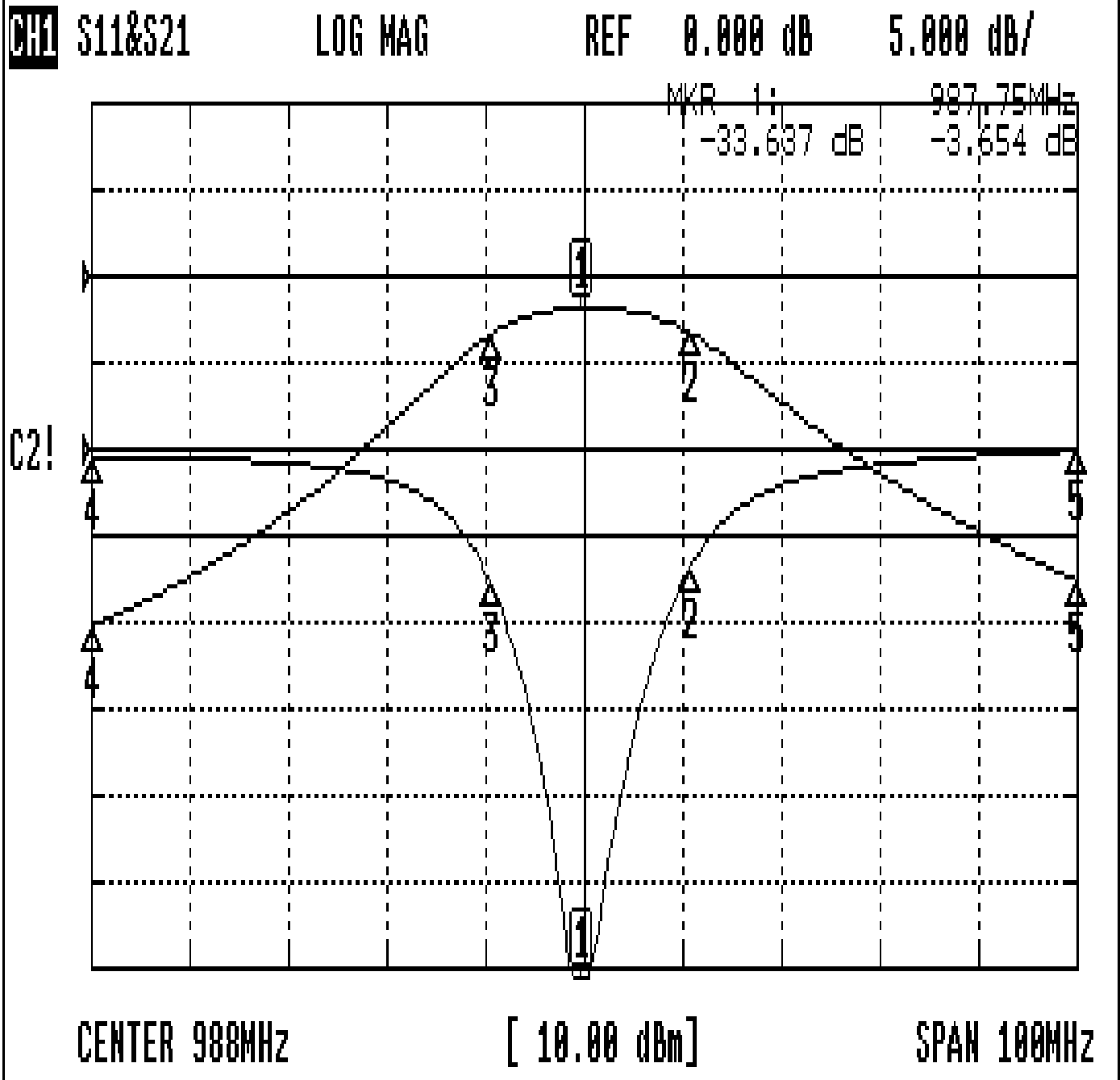


Approval	Supervisor	Designer	Aperture size
C.Y. Chang	C.S. Chang	C.S. Chang	7H3S(4*4.65) 7H046RB4

TEMWELL CORPORATION

Performance-TT67781B-988M

20507149DC



CH1 MARKER LIST

1:	987.750MHz	-33.637 dB	-3.654 dB
2:	998.833MHz	-6.882 dB	-6.634 dB
3:	978.666MHz	-7.828 dB	-6.636 dB
4:	938.800MHz	-8.478 dB	-40.461 dB
5:	1.038 800GHz	-8.854 dB	-35.172 dB