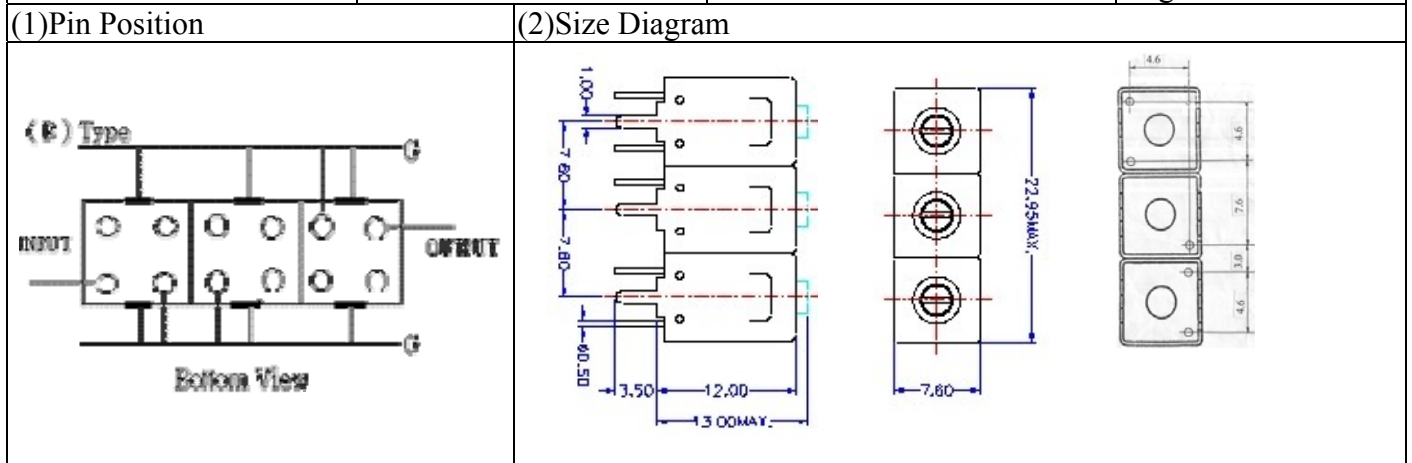


VHF UHF Helical Filter Specification Sheet

Customer Name		Temwell's Part No.	TT67780B-963M
Approval No. /dated	20507148DC	Acceptable Specify Fo Range	951~975MHz
Work Instruction No.	20507148DC	Date	Aug.22.2005



(3) Electric Character

Item	Specify	Performance	
Center Freq.(Fo) +/- 0.5 %	963 MHz	963 MHz	
Tunable Range	963±10 MHz	963±10 MHz	
Insertion Loss	Typ. 4.5 dB	3.59 dB	
-3 dB Bandwidth	Typ. 15 MHz	19.8 MHz	
Sensitivity (Attenuation)	Fo - 50 MHz	Typ. 41 dBc	44 dBc
	Fo + 50 MHz	Typ. 27 dBc	30 dBc
	Fo - ()MHz	Typ. dBc	dBc
	Fo +()MHz	Typ. dBc	dBc
Return Loss	Min. 12 dB	17.5 dB	
Ripple	< 1 dB	dB	
Impedance	In / Out : 50 Ω	In / Out : 50 Ω	
(4) Torque for Tuning Screw	> 100gf · cm		

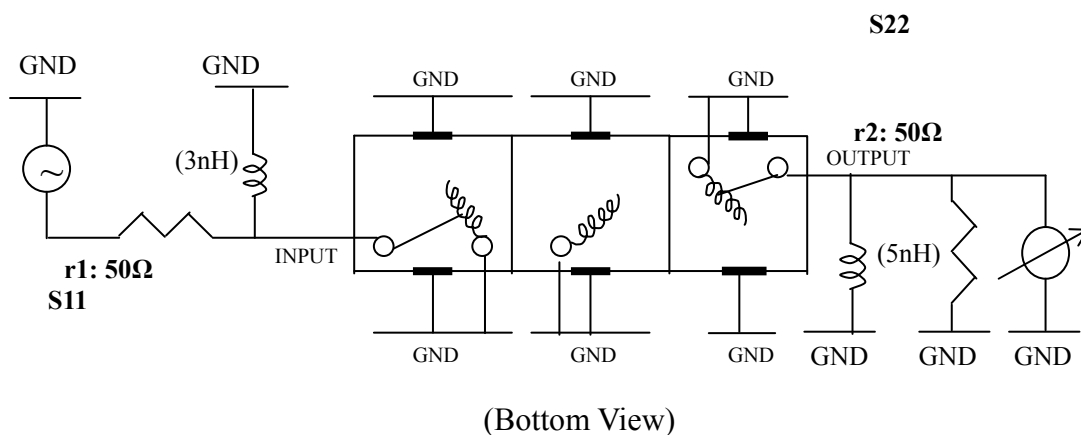
(5) Temperature Condition:

Operating Temperature	0°C ~ +60°C
Storage Temperature	-20°C ~ +70°C

(6) Input Power

> 1Watt

(7) Measuring Circuit: ※Easy to match Impedance S11/S22 50Ω by parallel with about(3 nH) / (5 nH).



Approval	Supervisor	Designer	Aperture size
C.Y. Chang	C.S. Chang	C.S. Chang	7H3S(4*4.65) 7H046RB4

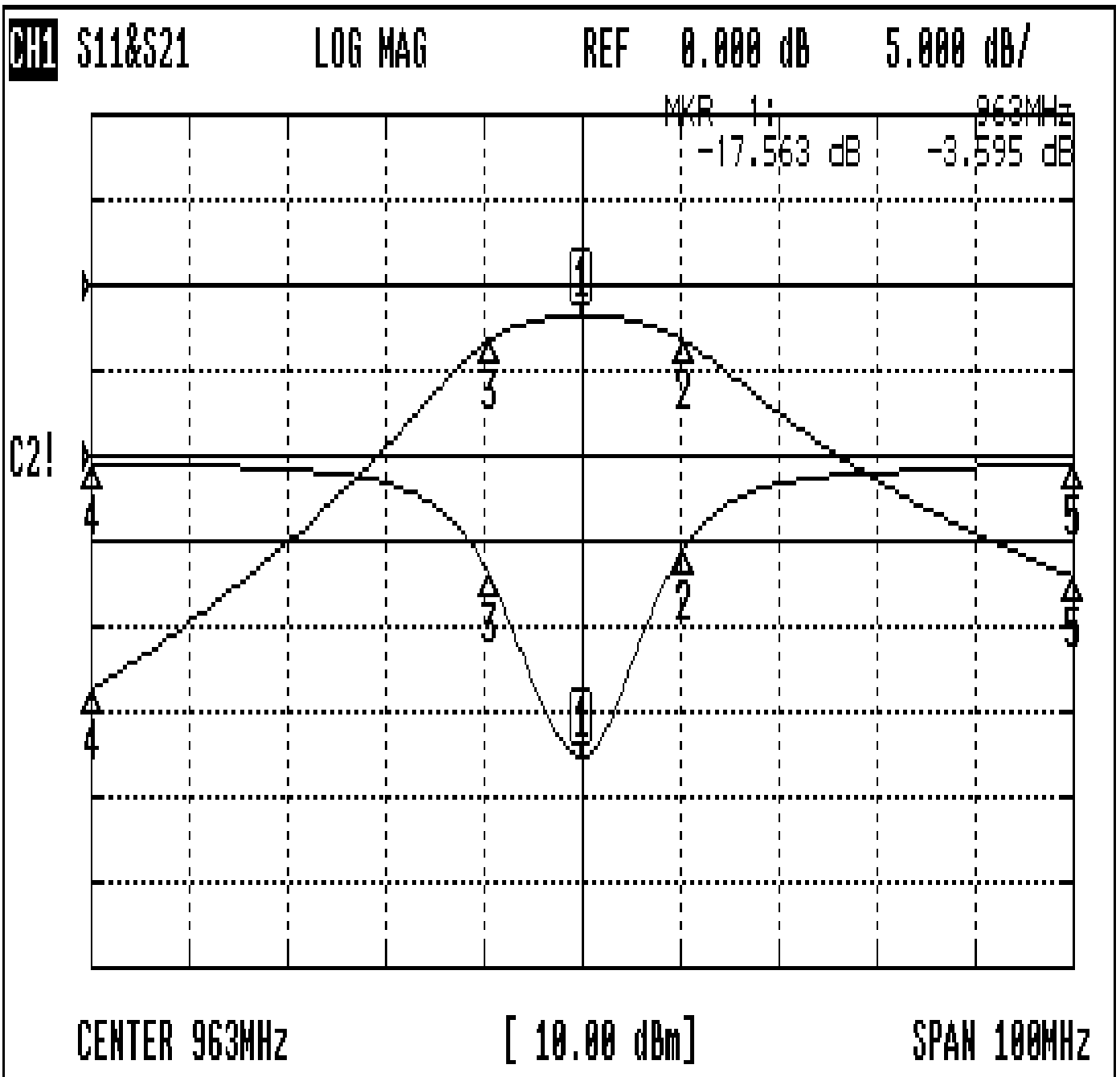
TEMWELL CORPORATION

TEMWELL

Form10-7H3B Vision D

Performance-TT67780B-963M

20507148DC



CH1 MARKER LIST

1:	963.000MHz	-17.563 dB	-3.595 dB
2:	973.333MHz	-5.523 dB	-6.551 dB
3:	953.500MHz	-6.908 dB	-6.539 dB
4:	913.000MHz	-0.574 dB	-47.680 dB
5:	1.013 000GHz	-0.397 dB	-34.197 dB