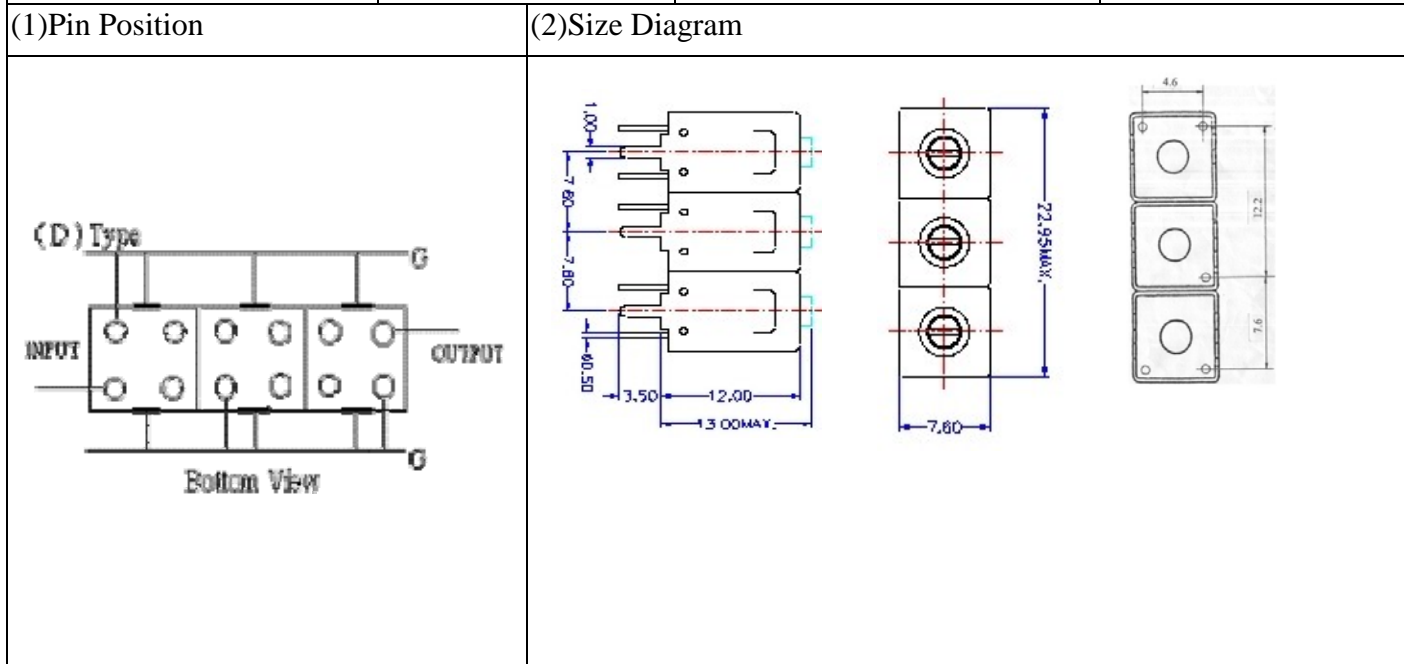


VHF UHF Helical Filter Specification Sheet

Customer Name		Temwell's Part No.	TT6777D-550M
Approval No. /dated	20011001B	Acceptable Specify Fo Range	516~555MHz
Work Instruction No.	20011001B	Date	2000.11.01



(3) Electric Characteristic

Item	Specify	Performance
Center Freq.(Fo) +/- 0.5 %	550 MHz	550 MHz
Tunable Range:	550±3 MHz	550±3 MHz
Insertion Loss	Typ. 2.5 dB	1.2 dB
-3 dB Bandwidth	Typ. 34 MHz	38 MHz
Sensitivity (Attenuation)	Fo - 50 MHz	Typ. 37 dBc
	Fo + 50 MHz	Typ. 22 dBc
	Fo - ()MHz	Typ. dBc
	Fo +()MHz	Typ. dBc
Return Loss	Min. 12 dB	15.8 dB
Ripple	< 1 dB	dB
Impedance	In / Out : 50 Ω	In / Out : 50 Ω
(4) Torque for Tuning Screw	> 100gf • cm	

(5) Temperature Condition:

Operating Temperature	0°C ~ +60°C
Storage Temperature	-20°C ~ +70°C

(6) Input Power

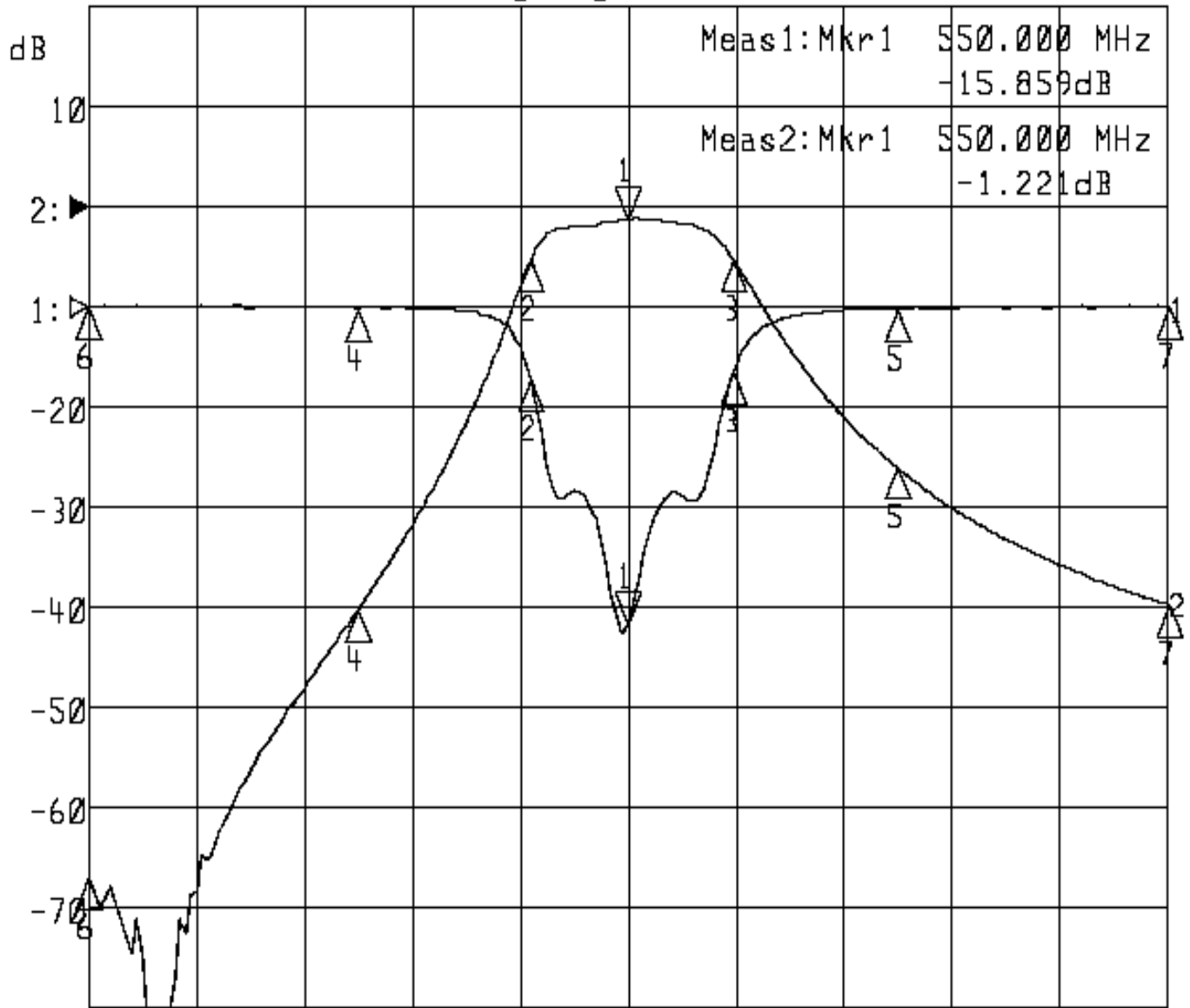
		> 1Watt	
Approval	Supervisor	Designer	Aperture size
C.Y.Chang	C.S.Chang	C.S.Chang	7H2S(4*6.5) 7H046LB4 聚 3

Performance-TT6777D-550M

20011001B

▶1:S11 Refl Port1 Log Mag 5.0 dB/ Ref 0.00 dB C

▶2:S21 Fwd Trans Log Mag 10.0 dB/ Ref 0.00 dB C



Center 550.000 MHz

Span 200.000 MHz

1: Mkr (MHz)	dB	2: Mkr (MHz)	dB
1> 550.0000	-15.859	1> 550.0000	-1.221
2: 532.0000	-3.640	2: 532.0000	-5.270
3: 569.5333	-3.234	3: 569.5333	-5.209
4: 500.0000	-0.105	4: 500.0000	-40.293
5: 600.0000	-0.087	5: 600.0000	-26.027
6: 450.0000	-0.016	6: 450.0000	-67.038
7: 650.0000	-0.005	7: 650.0000	-39.711