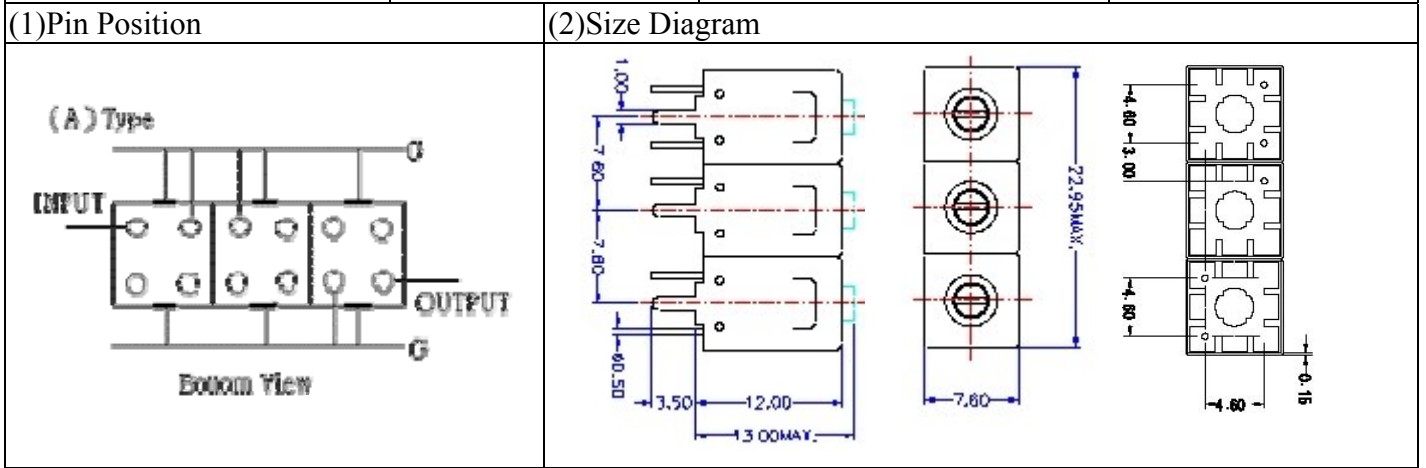
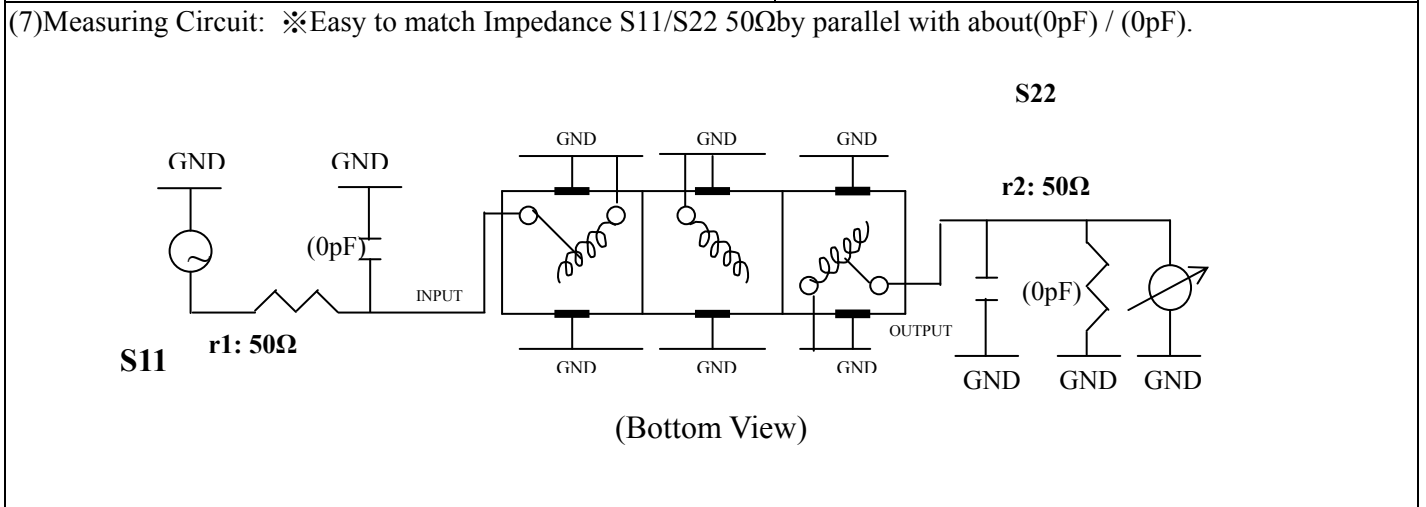


VHF UHF Helical Filter Specification Sheet

Customer Name		Temwell's Part No.	TT6777A-550M
Approval No. /dated	20010043DC	Customer's Print Name.	6777A 550M
Work Instruction No.	20010043DC	Date	2000.11.01



(3) Electric Characteristic			
Item		Specify	Performance
Center Freq.(Fo) +/- 0.5 %		550 MHz	550 MHz
Tunable Range:		550±10 MHz	550±10 MHz
Insertion Loss		Typ. 2.5 dB	1.6 dB
-3 dB Bandwidth		Typ. 33 MHz	37 MHz
Sensitivity (Attenuation)	Fo - 20 MHz	Typ. 35 dBc	37 dBc
	Fo + 20 MHz	Typ. 22 dBc	24 dBc
	Fo - ()MHz	Typ. dBc	dBc
	Fo + ()MHz	Typ. dBc	dBc
Return Loss		Min. 12 dB	14.7 dB
Ripple		< 1 dB	dB
Impedance		In / Out : 50 Ω	In / Out : 50 Ω
(4) Torque for Tuning Screw		> 100gf • cm	
(5) Temperature Condition:			
Operating Temperature		0°C ~ +60°C	
Storage Temperature		-20°C ~ +70°C	
(6) Input Power		> 1 Watt	



Approval C.Y.Chang	Supervisor C.S.Chang	Designer C.S.Chang	Aperture size 7H3S(4*6.5) 7H046LB4 聚 3
-----------------------	-------------------------	-----------------------	--

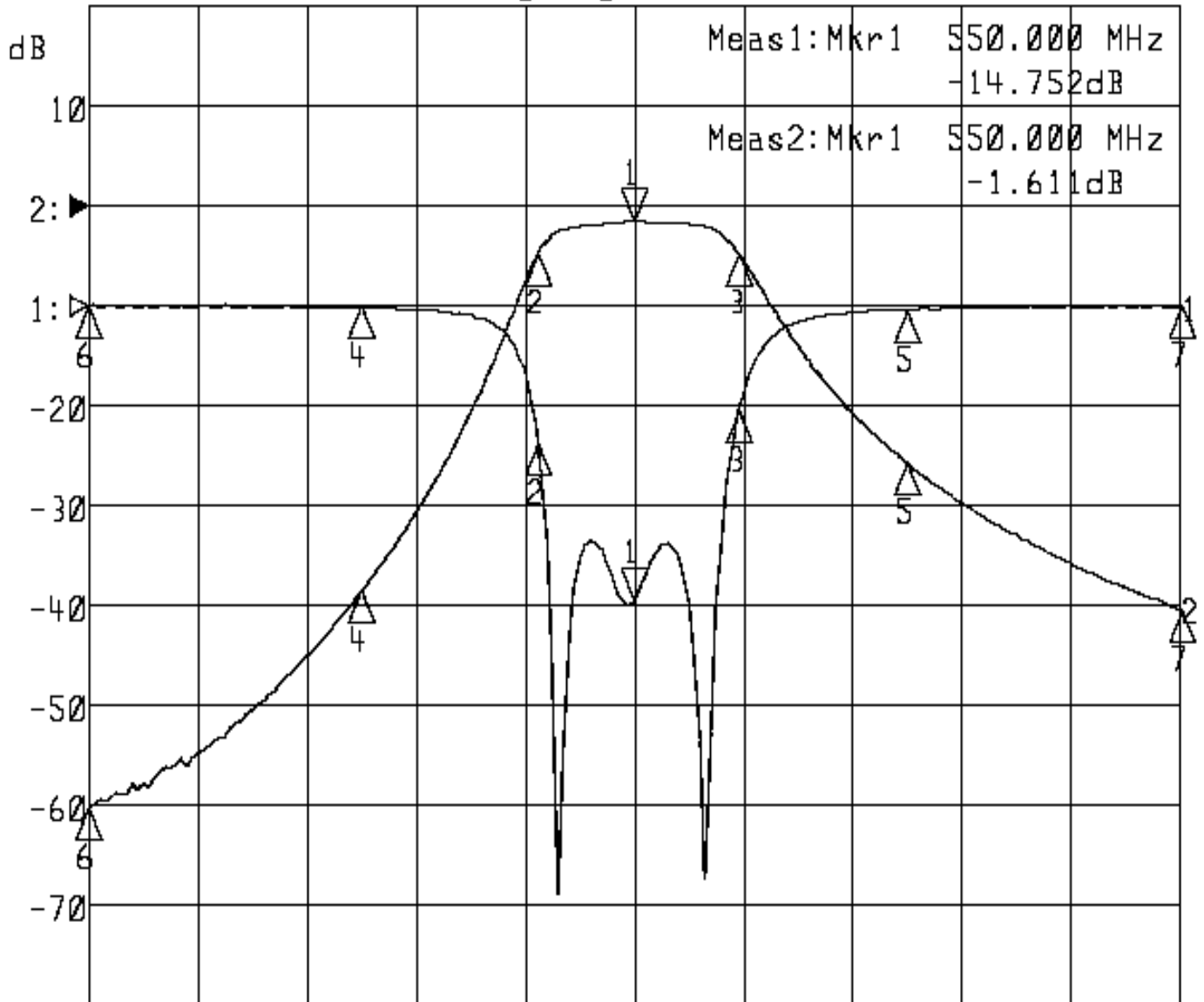
TEMWELL CORPORATION

Performance-TT677A-550M

20010043DC

▶1:S11 Refl Port1 Log Mag 5.0 dB/ Ref 0.00 dB C

▶2:S21 Fwd Trans Log Mag 10.0 dB/ Ref 0.00 dB C



Meas1:Mkr1 550.000 MHz
-14.752dB

Meas2:Mkr1 550.000 MHz
-1.611dB

Center 550.000 MHz

Span 200.000 MHz

1:Mkr (MHz)	dB	2:Mkr (MHz)	dB
1> 550.0000	-14.752	1> 550.0000	-1.611
2: 532.4000	-6.897	2: 532.4000	-4.705
3: 569.0667	-5.297	3: 569.0667	-4.633
4: 500.0000	-0.058	4: 500.0000	-38.564
5: 600.0000	-0.198	5: 600.0000	-25.743
6: 450.0000	-0.024	6: 450.0000	-60.319
7: 650.0000	-0.059	7: 650.0000	-40.540