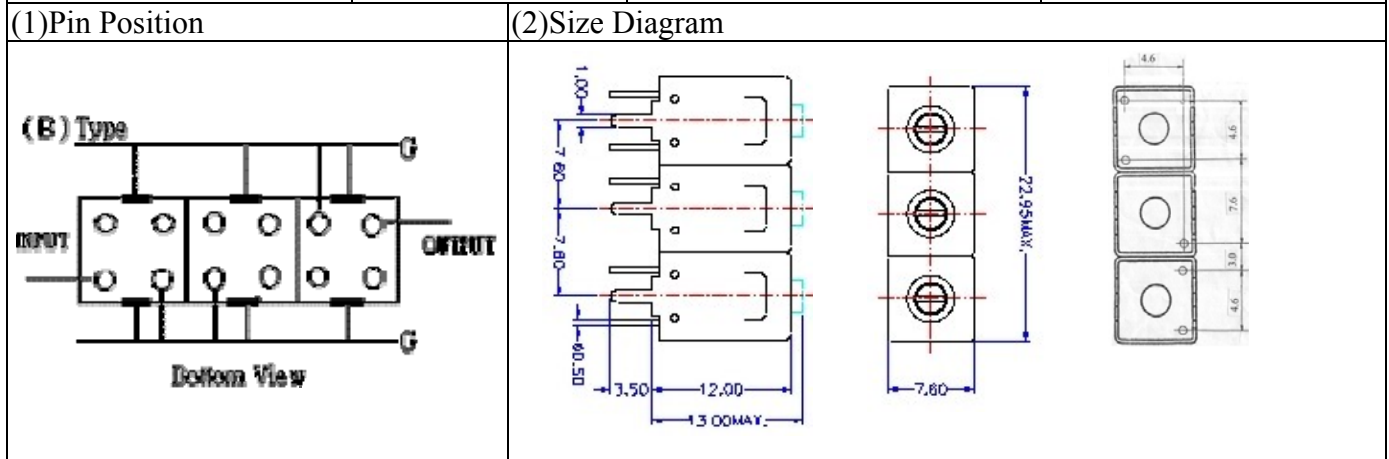


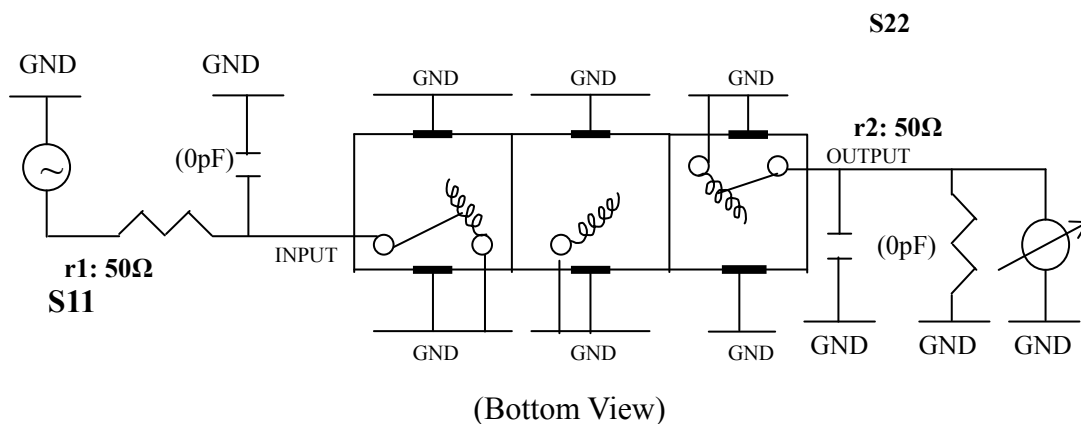
VHF UHF Helical Filter Specification Sheet

Customer Name		Temwell's Part No.	TT67779B-880M
Approval No. /dated	20507147DC	Acceptable Specify Fo. Range	861~900MHz
Work Instruction No.	20507147DC	Date	Sep.05.2005



(3) Electric Character			
Item		Specify	Performance
Center Freq.(Fo) +/- 0.5 %		880 MHz	880 MHz
Tunable Range		845±10 MHz	880±10 MHz
Insertion Loss		Typ. 3.5 dB	2.61 dB
-3 dB Bandwidth		Typ. 15 MHz	21 MHz
Sensitivity (Attenuation)	Fo - 50 MHz	Typ. 36 dBc	39 dBc
	Fo + 50 MHz	Typ. 25 dBc	27 dBc
	Fo - ()MHz	Typ. dBc	dBc
	Fo +()MHz	Typ. dBc	dBc
Return Loss		Min. 12 dB	32.9 dB
Ripple		< 1 dB	dB
Impedance		In / Out : 50 Ω	In / Out : 50 Ω
(4) Torque for Tuning Screw		> 100gf · cm	
(5) Temperature Condition:			
Operating Temperature		0°C ~ +60°C	
Storage Temperature		-20°C ~ +70°C	
(6) Input Power		> 1 Watt	

(7) Measuring Circuit: ※Easy to match Impedance S11/S22 50Ω/by parallel with about(0 pF) / (0 pF).

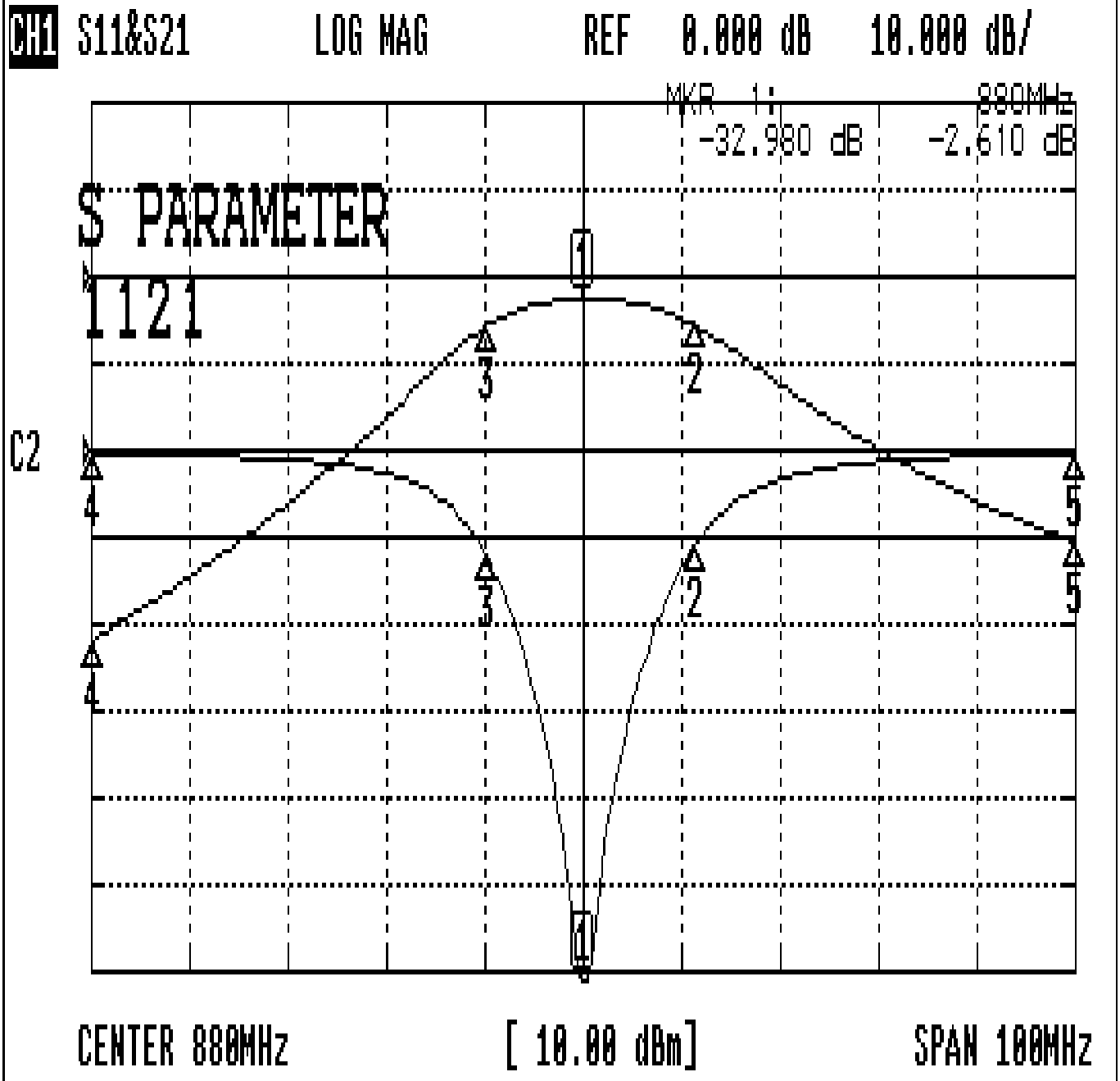


Approval	Supervisor	Designer	Aperture size
C.Y. Chang	C.S. Chang	W.W. Wang	7H3S(4*6.5)(6.58)F 7H046RB4

TEMWELL CORPORATION

Performance-TT67779B-880M

20507147DC



CH1 MARKER LIST

1:	880.000MHz	-32.980 dB	-2.610 dB
2:	891.333MHz	-5.529 dB	-5.631 dB
3:	870.250MHz	-6.138 dB	-5.645 dB
4:	830.000MHz	-0.182 dB	-41.861 dB
5:	930.000MHz	-0.189 dB	-30.597 dB