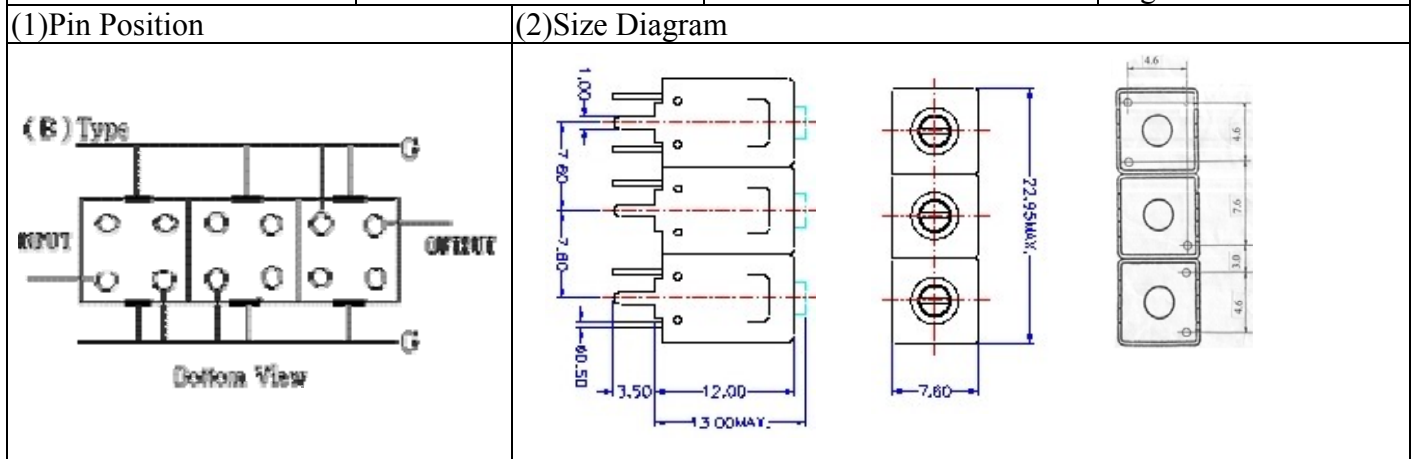


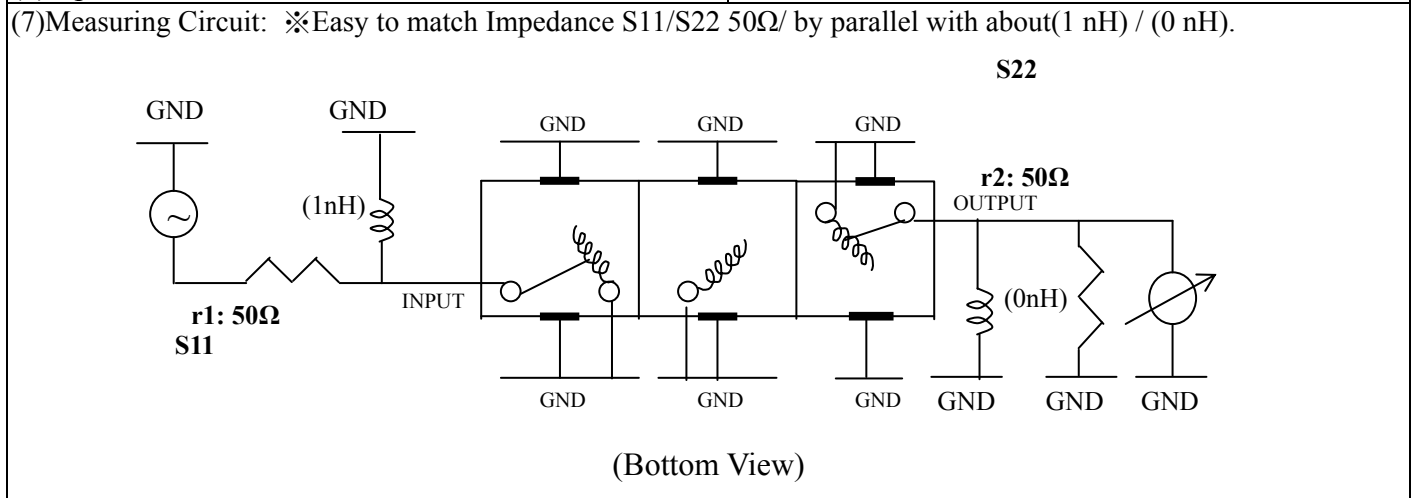
VHF UHF Helical Filter Specification Sheet

Customer Name		Temwell's Part No.	TT67778B-845M
Approval No. /dated	20507146DC	Acceptable Specify Fo Range	831~860MHz
Work Instruction No.	20507146DC	Date	Aug.12.2005



(3) Electric Character			
Item	Specify	Performance	
Center Freq.(Fo) +/- 0.5 %	845 MHz	845	MHz
Tunable Range	845±10 MHz	845±10	MHz
Insertion Loss	Typ. 3.0 dB	2.13	dB
-3 dB Bandwidth	Typ. 15 MHz	20.3	MHz
Sensitivity (Attenuation)	Fo - 50 MHz	Typ. 30	dBc
	Fo + 50 MHz	Typ. 20	dBc
	Fo - ()MHz	Typ.	dBc
	Fo +()MHz	Typ.	dBc
Return Loss	Min. 12 dB	20.7	dB
Ripple	< 1 dB		dB
Impedance	In / Out : 50 Ω	In / Out : 50 Ω	
(4) Torque for Tuning Screw	> 100gf · cm		

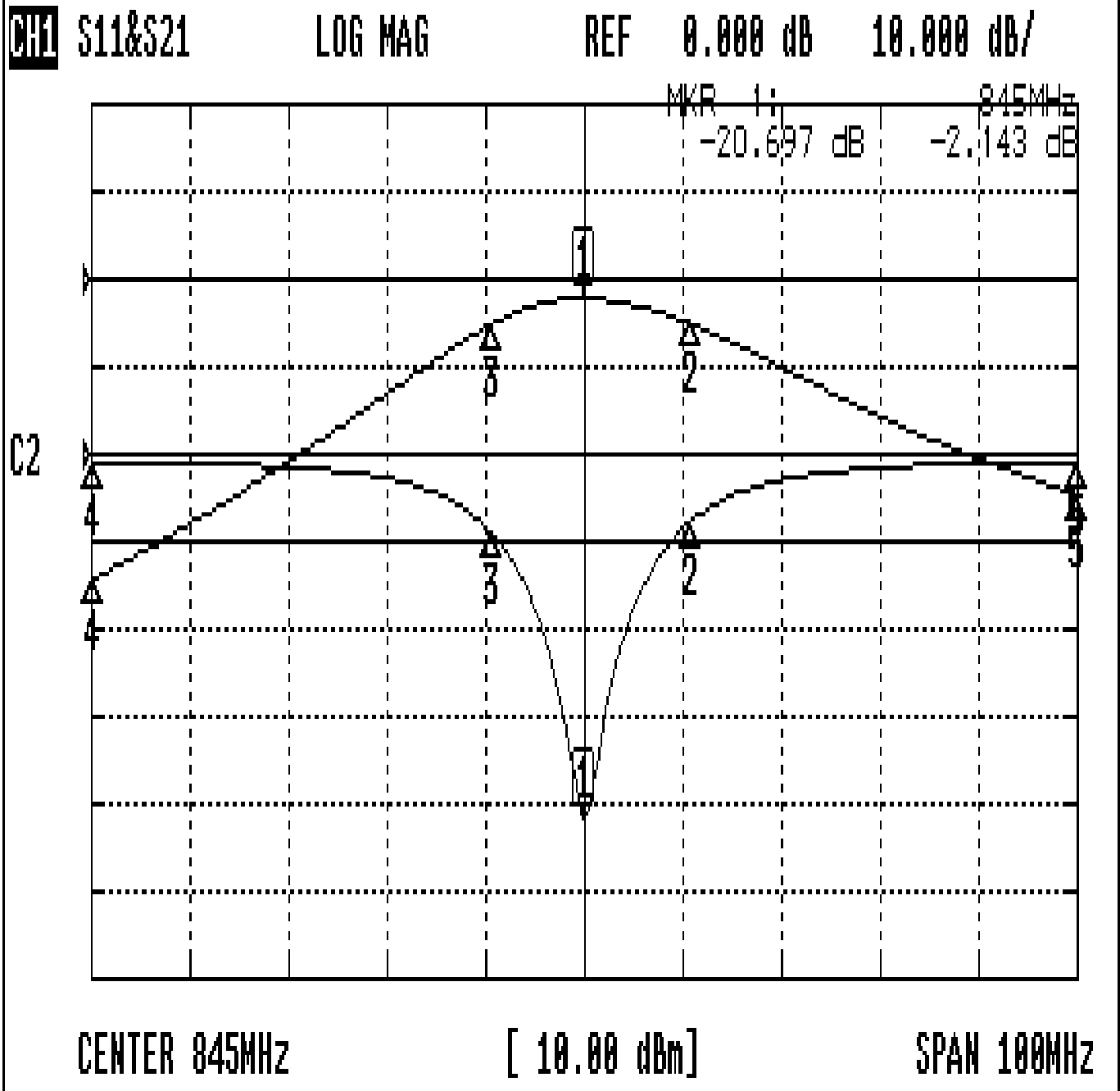
(5) Temperature Condition:	
Operating Temperature	0°C ~ +60°C
Storage Temperature	-20°C ~ +70°C
(6) Input Power	> 1Watt



Approval	Supervisor	Designer	Aperture size
C.Y. Chang	C.S. Chang	W.W. Wang	7H3(4*5.5)(5.59)F 7H046RB4
TEMWELL CORPORATION			

Performance-TT67778B-845M

20507146DC



CH1 MARKER LIST

1:	845.000MHz	-20.701 dB	-2.148 dB
2:	855.833MHz	-3.833 dB	-5.116 dB
3:	835.583MHz	-4.423 dB	-5.133 dB
4:	795.000MHz	-0.421 dB	-34.451 dB
5:	895.000MHz	-0.414 dB	-24.599 dB