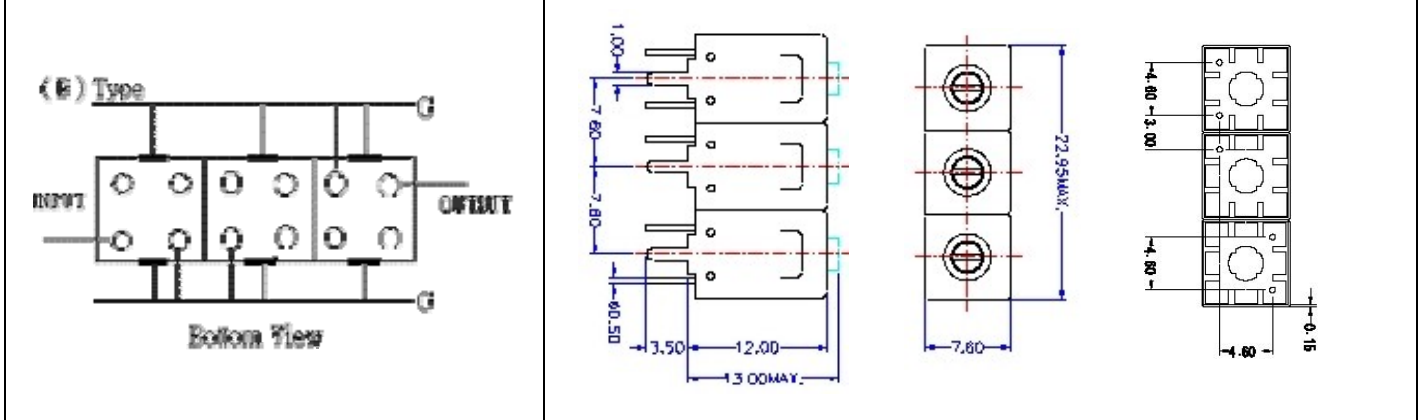


VHF UHF Helical Filter Specification Sheet

Customer Name		Temwell's Part No.	TT6775B-480M
Approval No. /dated	20106021B	Acceptable Specify Fo Range	456~515MHz
Work Instruction No.	20106021B	Date	2001.06.13

(1)Pin Position (2)Size Diagram



(3)Electric Chararistic

Item	Specify	Performance	
Center Freq.(Fo) +/- 0.5 %	480 MHz	480 MHz	
Tunable Range:	480±5 MHz	480±5 MHz	
Insertion Loss	Typ. 2.0 dB	1.20 dB	
-3 dB Bandwidth	Typ. 23 MHz	28 MHz	
Sensitivity (Attenuation)	Fo - 60 MHz	Typ. 40 dBc	43 dBc
	Fo + 60 MHz	Typ. 30 dBc	34 dBc
	Fo - ()MHz	Typ. dBc	dBc
	Fo +()MHz	Typ. dBc	dBc
Return Loss	Min. 12 dB	19.2 dB	
Ripple	< 1 dB	dB	
Impedance	In / Out : 50 Ω	In / Out : 50 Ω	

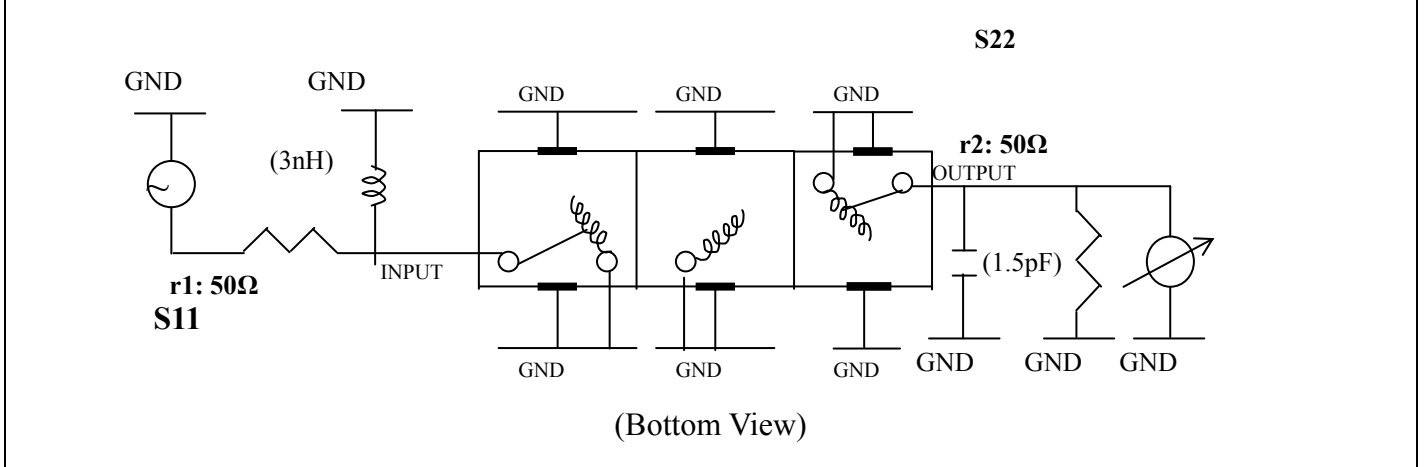
(4)Torque for Tuning Screw > 100gf • cm

(5)Temperature Condition:

Operating Temperature	0°C ~ +60°C
Storage Temperature	-20°C ~ +70°C

(6)Input Power > 1Watt

(7)Measuring Circuit: ※Easy to match Impedance S11/S22 50Ωby parallel with about(3nH) / (1.5pF).



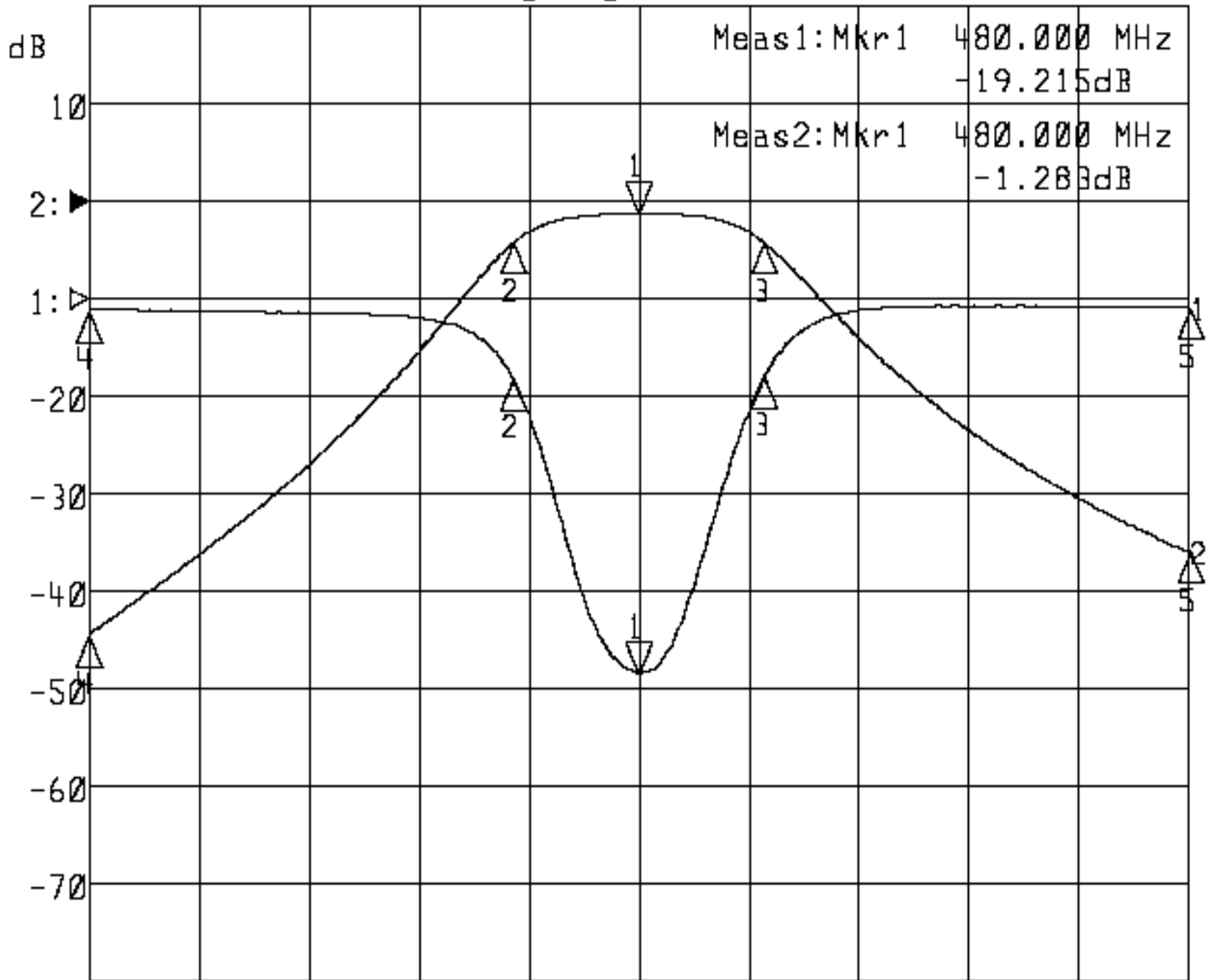
Approval	Supervisor	Designer	Aperture size
C.Y.Chang	C.S.Chang	C.S.Chang	7H3(4*6.5)F 7H046LB4 聚 3

TEMWELL CORPORATION

Performance- TT6775B-480M

20106021B

▶1:S11 Refl Port1 Log Mag 5.0 dB/ Ref 0.00 dB C
 ▶2:S21 Fwd Trans Log Mag 10.0 dB/ Ref 0.00 dB C



Center 480.000 MHz

Span 120.000 MHz

1: Mkr (MHz)	dB	2: Mkr (MHz)	dB
1> 480.0000	-19.215	1> 480.0000	-1.283
2: 466.3600	-4.151	2: 466.3600	-4.235
3: 493.6800	-4.024	3: 493.6800	-4.247
4: 420.0000	-0.589	4: 420.0000	-44.419
5: 540.0000	-0.449	5: 540.0000	-35.998