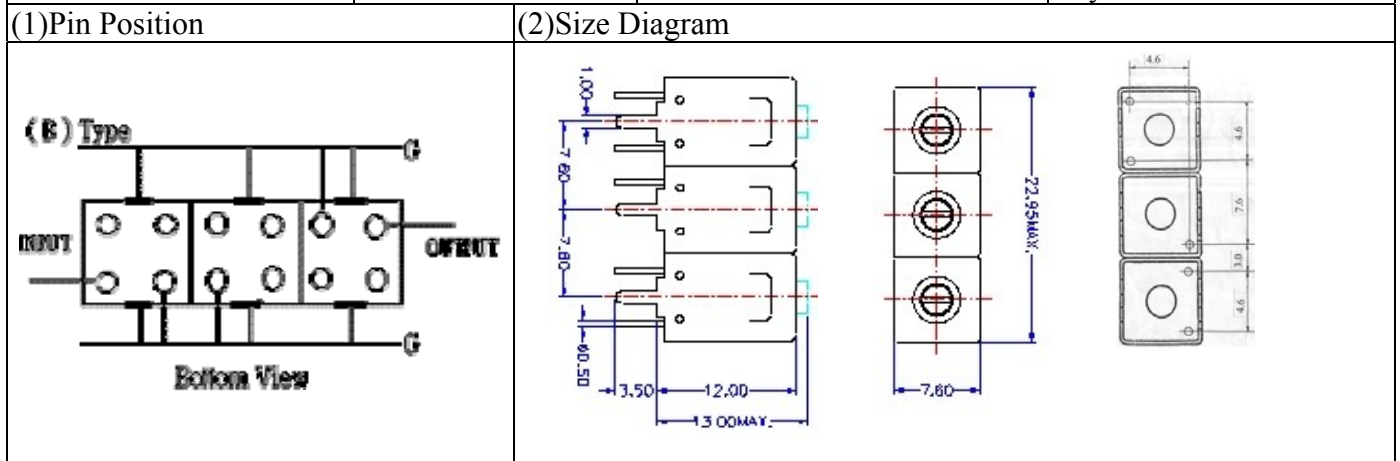


VHF UHF Helical Filter Specification Sheet

Customer Name		Temwell's Part No.	TT67727B-293M
Approval No. /dated	20507095APR	Acceptable Specify Fo. Range	276~310MHz
Work Instruction No.	20507095DC	Date	July.26.2005



(3) Electric Character

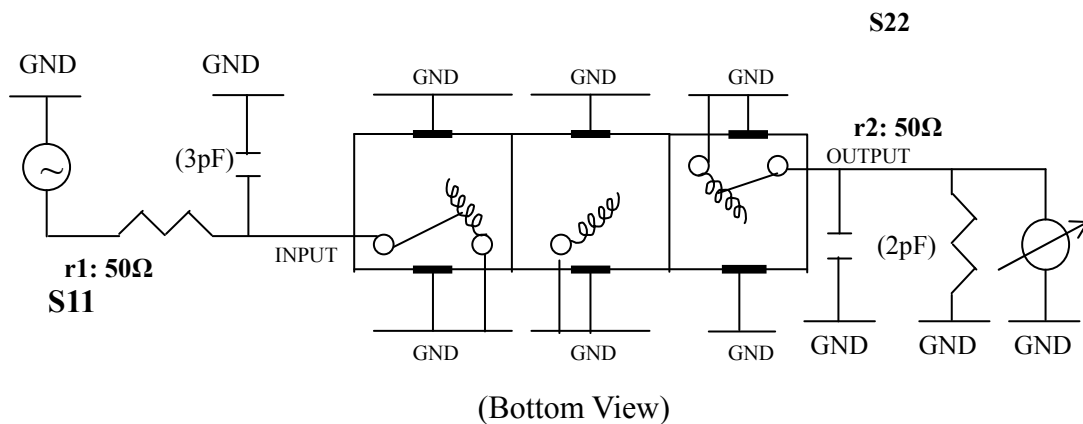
Item		Specify		Performance	
Center Freq.(Fo) +/- 0.75 %		293	MHz	293	MHz
Tunable Range		293±3	MHz	293±3	MHz
Insertion Loss		Typ. 2.0	dB	0.80	dB
-3 dB Bandwidth		Typ. 40	MHz	43.3	MHz
Sensitivity (Attenuation)	Fo - 50 MHz	Typ. 27	dBc	31	dBc
	Fo + 50 MHz	Typ. 19	dBc	22	dBc
	Fo - ()MHz	Typ.	dBc		dBc
	Fo +()MHz	Typ.	dBc		dBc
Return Loss		Min. 12	dB	15	dB
Ripple		< 1	dB		dB
Impedance		In / Out : 50 Ω		In / Out : 50 Ω	
(4) Torque for Tuning Screw		> 100gf · cm			

(5) Temperature Condition:

Operating Temperature	30°C ~ +70°C
Storage Temperature	-30°C ~ +80°C

(6) Input Power > 1Watt

(7) Measuring Circuit: ※Easy to match Impedance S11/S22 50Ω by parallel with about(3 pF) / (2 pF).



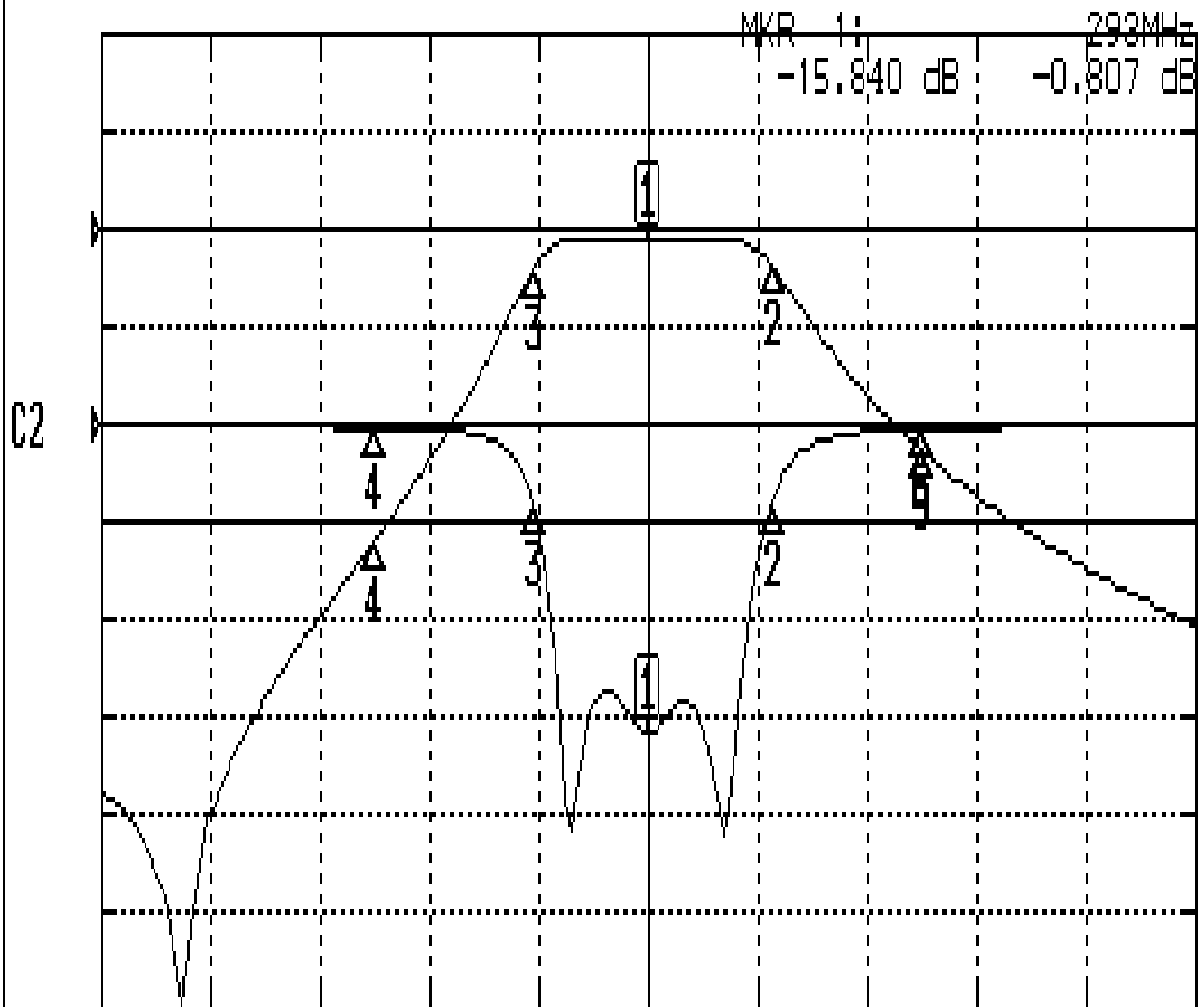
Approval	Supervisor	Designer	Aperture size
C.Y. Chang	C.S. Chang	C.S. Chang	7H3S(4*8.0) 7H046RB5.5

TEMWELL CORPORATION

Performance-TT67727B-293M

20507095DC

CH1 S11&S21 LOG MAG REF 0.000 dB 5.000 dB/



CENTER 293MHz

[10.00 dBm]

SPAN 200MHz

CH1 MARKER LIST

1:	293.000MHz	-15.840 dB	-0.807 dB
2:	315.666MHz	-4.822 dB	-3.861 dB
3:	272.333MHz	-4.456 dB	-3.832 dB
4:	243.000MHz	-0.157 dB	-31.982 dB
5:	343.000MHz	-0.187 dB	-22.718 dB