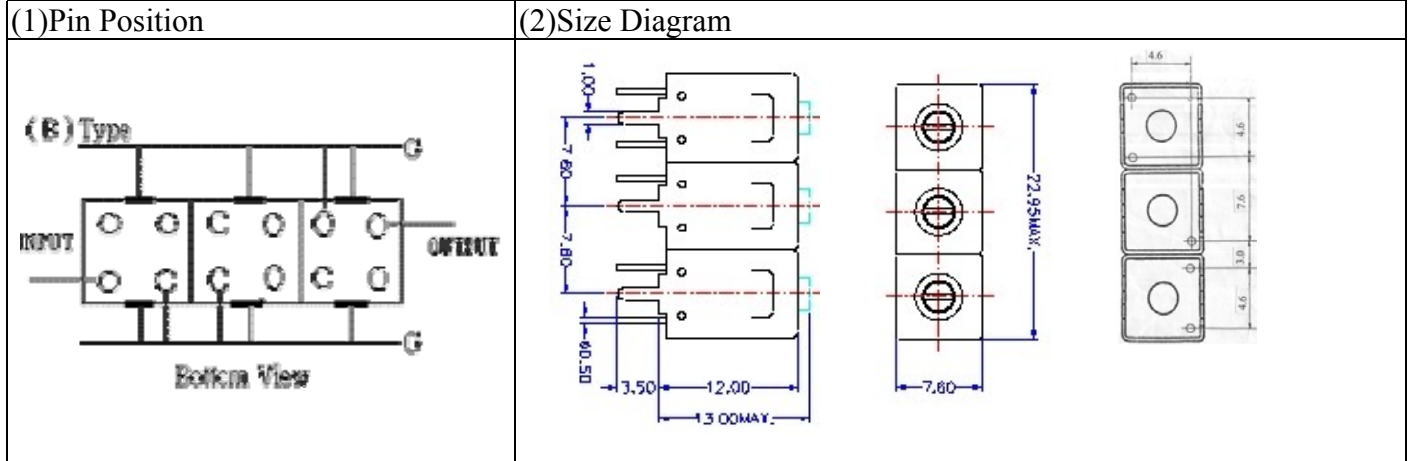


VHF UHF Helical Filter Specification Sheet

| | | | |
|----------------------|-------------|------------------------------|---------------|
| Customer Name | | Temwell's Part No. | TT67726B-208M |
| Approval No. /dated | 20507094APR | Acceptable Specify Fo. Range | 196~220MHz |
| Work Instruction No. | 20507094DC | Date | Aug.03.2005 |



(3) Electric Character

| Item | Specify | Performance |
|-----------------------------|-----------------|-----------------|
| Center Freq.(Fo) +/- 0.5 % | 208 MHz | 208 MHz |
| Tunable Range | 208±3 MHz | 208±3 MHz |
| Insertion Loss | Typ. 2.0 dB | 1.02 dB |
| -3 dB Bandwidth | Typ. 40 MHz | 45.5 MHz |
| Sensitivity (Attenuation) | Fo - 50 MHz | Typ. 23 dBc |
| | Fo + 50 MHz | Typ. 17 dBc |
| | Fo - ()MHz | Typ. dBc |
| | Fo + ()MHz | Typ. dBc |
| Return Loss | Min. 12 dB | 22.9 dB |
| Ripple | < 1 dB | dB |
| Impedance | In / Out : 50 Ω | In / Out : 50 Ω |

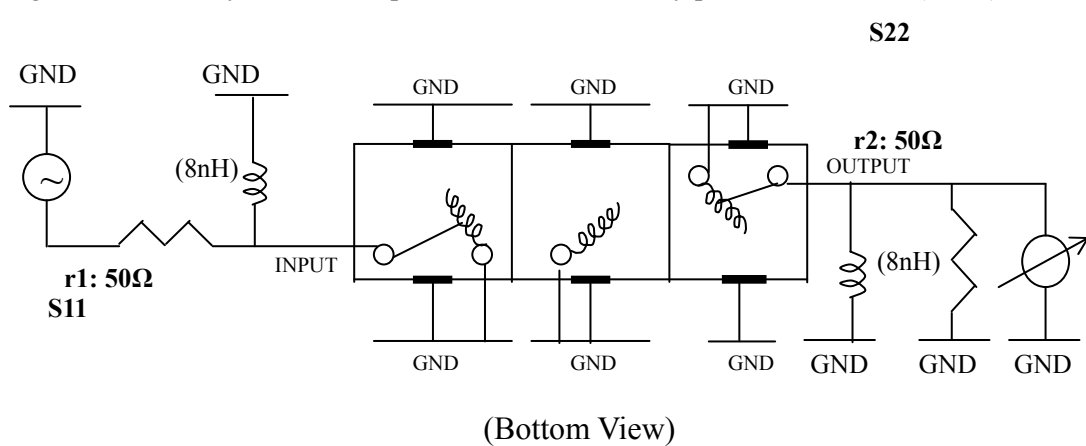
(4) Torque for Tuning Screw > 100gf • cm

(5) Temperature Condition:

| | |
|-----------------------|---------------|
| Operating Temperature | 0°C ~ +60°C |
| Storage Temperature | -20°C ~ +70°C |

(6) Input Power > 1 Watt

(7) Measuring Circuit: ※Easy to match Impedance S11/S22 50Ω by parallel with about(8 nH)

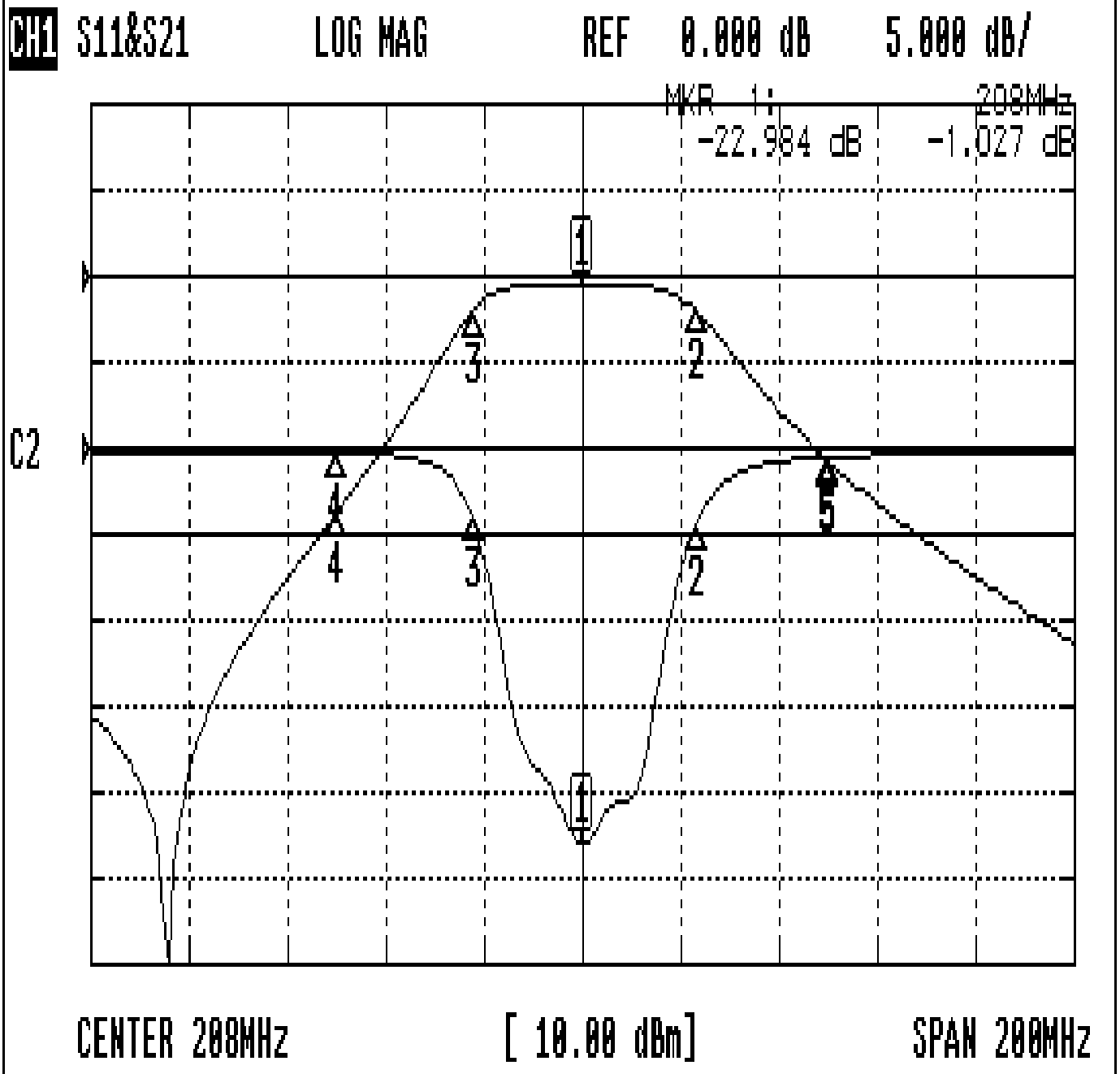


| | | | |
|------------|------------|------------|-------------------------|
| Approval | Supervisor | Designer | Aperture size |
| C.Y. Chang | C.S. Chang | C.S. Chang | 7H3S(4*7.5)F 7H00LB6 |

TEMWELL CORPORATION

Performance-TT67726B-208M

20507094DC



CH1 MARKER LIST

| | | | |
|----|------------|------------|------------|
| 1: | 208.000MHz | -22.984 dB | -1.027 dB |
| 2: | 231.166MHz | -4.481 dB | -4.021 dB |
| 3: | 185.666MHz | -4.008 dB | -4.086 dB |
| 4: | 158.000MHz | -0.252 dB | -27.527 dB |
| 5: | 258.000MHz | -0.486 dB | -21.414 dB |