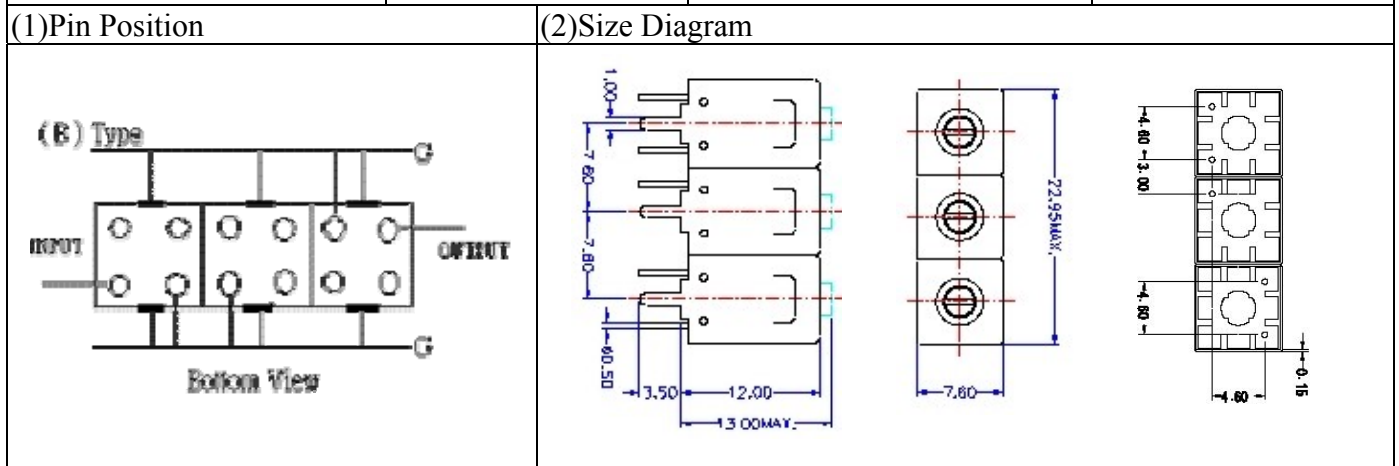


# VHF UHF Helical Filter Specification Sheet

Customer Name		Temwell's Part No.	TT67724B1-208M
Approval No. /dated	201006053CD	Temwell's Print name.	67724B1 208M
Work Instruction No.	201006053CD	Date	June.22.2010



(3) Electric Characteristic

Item	Specify	Performance	
Center Freq.(Fo) +/- 0.5 %	208 MHz	208 MHz	
Insertion Loss	Typ. 2.0 dB	1.26 dB	
-3 dB Bandwidth	Typ. 30 MHz	31.4 MHz	
Sensitivity (Attenuation)	Fo - 50 MHz	Typ. 33 dBc	39 dBc
	Fo + 50 MHz	Typ. 24 dBc	25 dBc
	Fo - ( )MHz	Typ. dBc	dBc
	Fo +( )MHz	Typ. dBc	dBc
Return Loss	Min. 12 dB	20.3 dB	
Ripple	< 1 dB	dB	
Impedance	In / Out : 50 Ω	In / Out : 50 Ω	

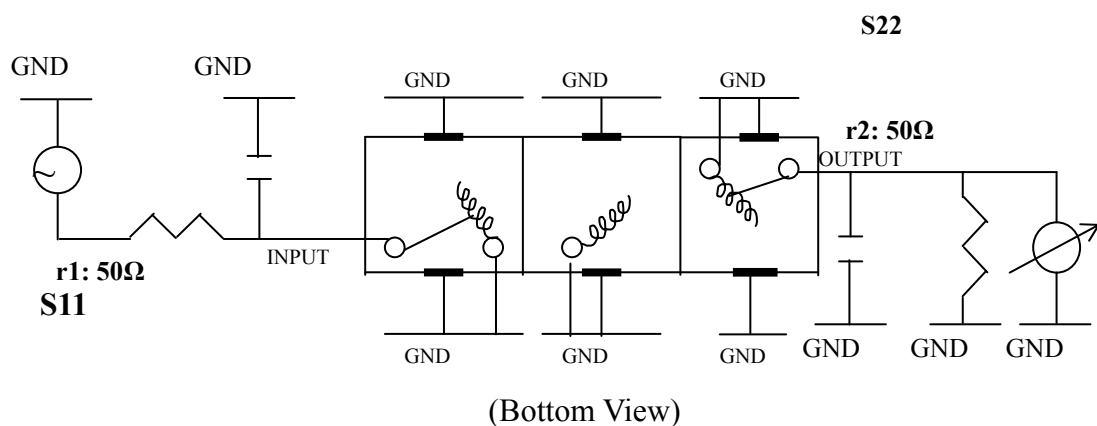
(4) Torque for Tuning Screw > 100gf · cm

(5) Temperature Condition:

Operating Temperature	0°C ~ +60°C
Storage Temperature	-20°C ~ +70°C

(6) Input Power > 1Watt

(7) Measuring Circuit: ※Easy to match Impedance S11/S22 50Ω by parallel with about(--)/ (--).



Approval	Supervisor	Designer	Aperture size
C.Y.Chang	C.K.Chang	P.H.Chiang	7H3S(4*5.5)(5.58) (7H024RB6.5)

TEMWELL CORPORATION

# Performance-TT67724B1-208M

## 201006053CD

