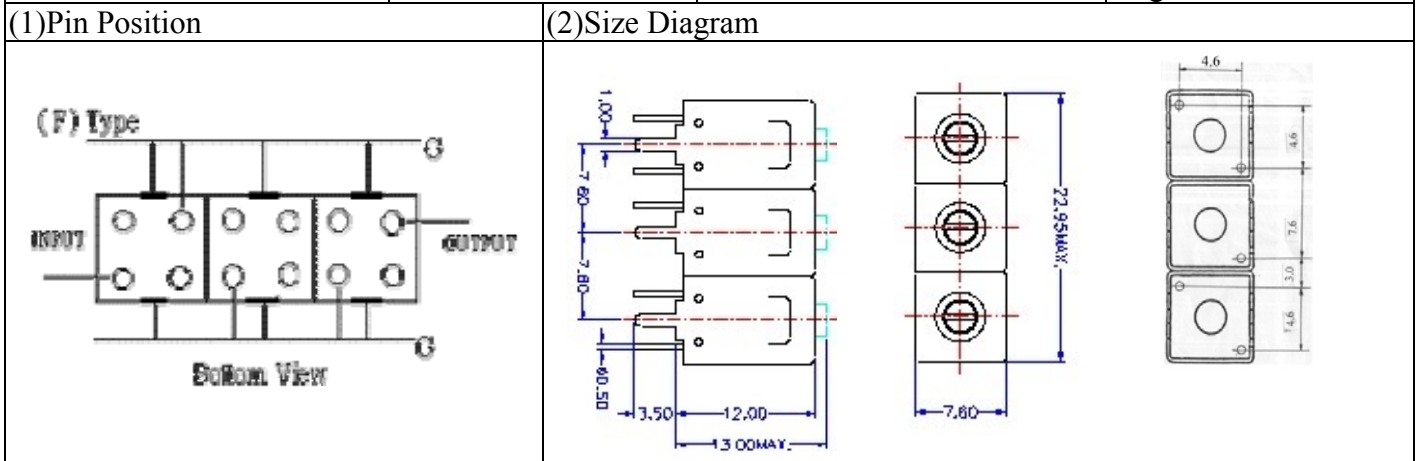


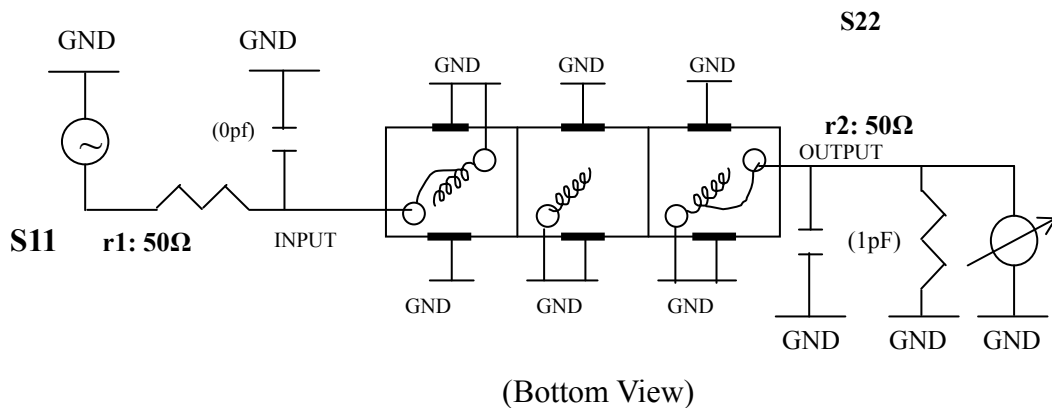
VHF UHF Helical Filter Specification Sheet

Customer Name		Temwell's Part No.	TT6771F2-420M
Approval No. /dated	0607067DC	Acceptable Specify Fo Range	401~455MHz
Work Instruction No.	0607067DC	Date	Aug.01.2006



Item		Specify	Performance
Center Freq.(Fo) +/- 0.5 %		420 MHz	420 MHz
Tunable Range		420±5 MHz	420±5 MHz
Insertion Loss		Typ. 2.5 dB	1.65 dB
-3 dB Bandwidth		Typ. 19 MHz	21.3 MHz
Sensitivity (Attenuation)	Fo - 50 MHz	Typ. 59 dBc	62 dBc
	Fo + 50 MHz	Typ. 29 dBc	32 dBc
	Fo - ()MHz	Typ. dBc	dBc
	Fo + ()MHz	Typ. dBc	dBc
Return Loss		Min. 12 dB	27.6 dB
Ripple		< 1 dB	dB
Impedance		In / Out : 50 Ω	In / Out : 50 Ω
(4) Torque for Tuning Screw		> 100gf · cm	
(5) Temperature Condition:			
Operating Temperature		0°C ~ +60°C	
Storage Temperature		-20°C ~ +70°C	
(6) Input Power		> 1 Watt	

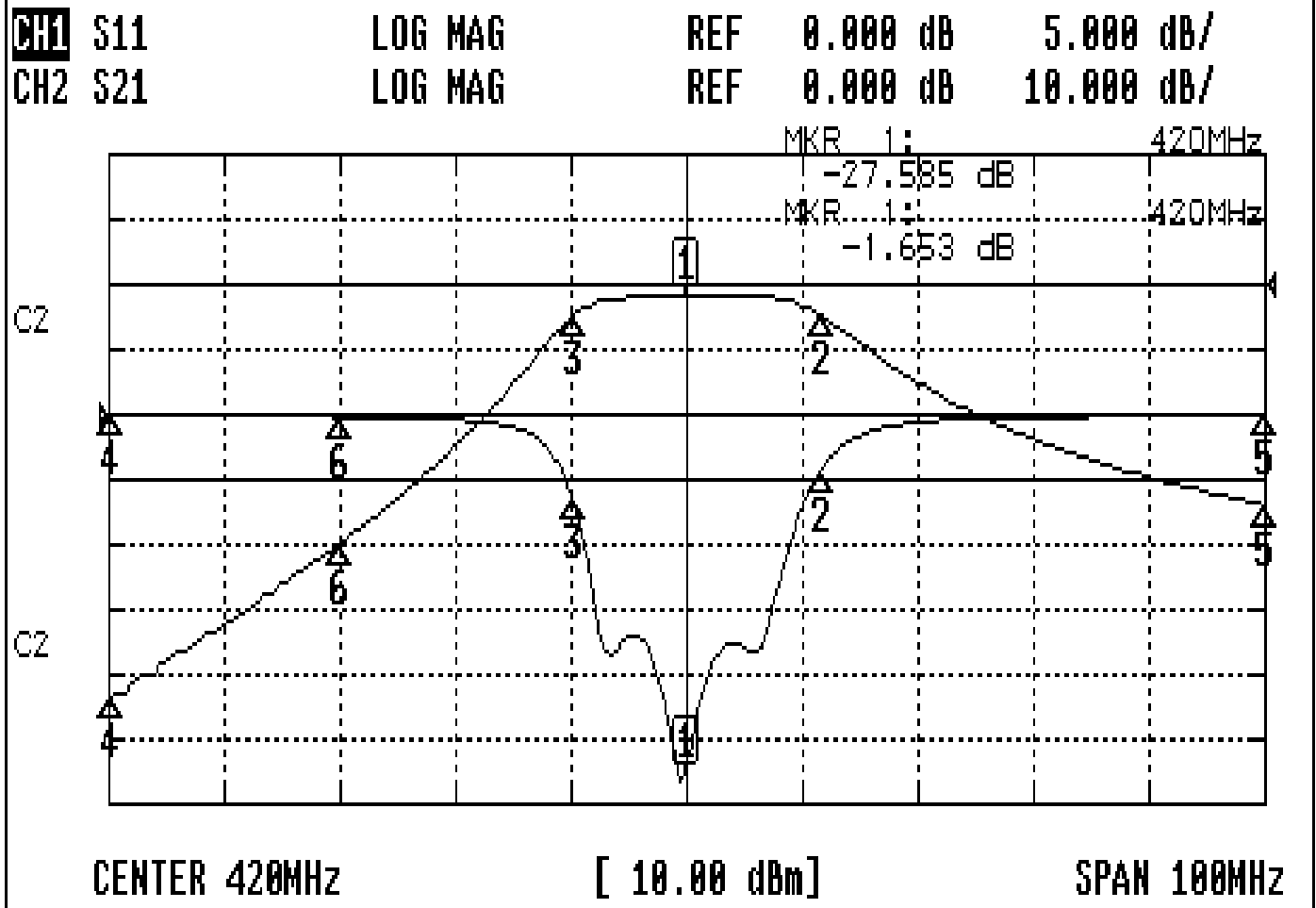
(7) Measuring Circuit: ※Easy to match Impedance S11/S22 50Ω/ by parallel with about(0pF)/(1pF).



Approval	Supervisor	Designer	Aperture size
C.Y.Chang	C.S.Chang	P.H.Chiang	7H3(4*7.35)(7.49) 7H046LB4 聚 3
TEMWELL		CORPORATION	

Performance-TT6771F2-420M

0607067DC



CH1 MARKER LIST

1:	420.000MHz	-27.605 dB
2:	431.500MHz	-4.451 dB
3:	410.250MHz	-6.707 dB
4:	370.000MHz	-0.068 dB
5:	470.000MHz	-0.084 dB
6:	390.000MHz	-0.150 dB

CH2 MARKER LIST

1:	420.000MHz	-1.653 dB
2:	431.500MHz	-4.627 dB
3:	410.250MHz	-6.995 dB
4:	370.000MHz	-0.068 dB
5:	470.000MHz	-0.084 dB
6:	390.000MHz	-0.150 dB