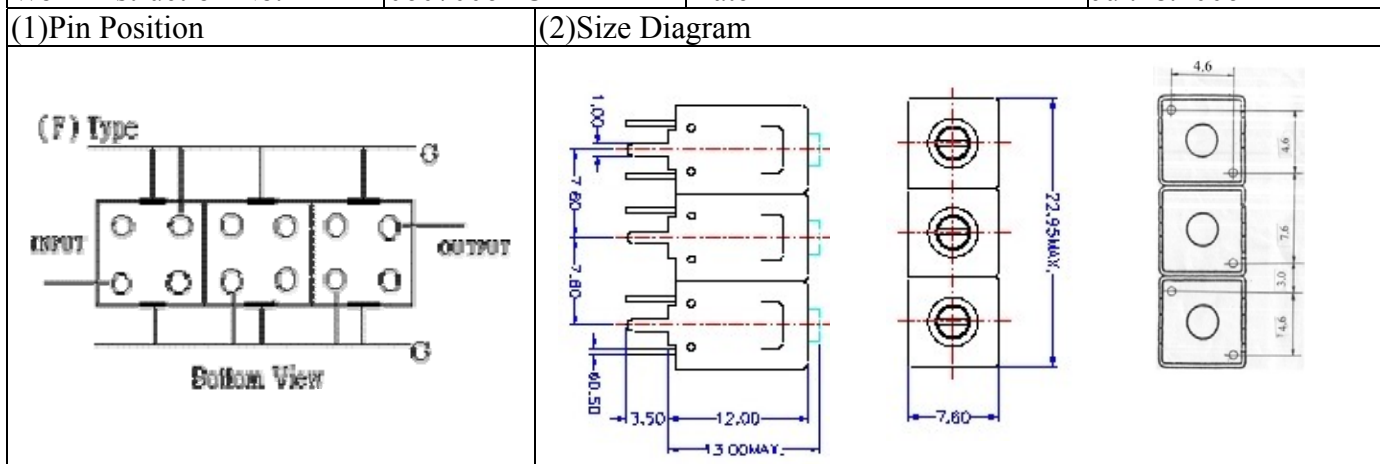


# VHF UHF Helical Filter Specification Sheet

Customer Name		Temwell's Part No.	TT6771F1-390M
Approval No. /dated	0607006DC	Acceptable Specify Fo Range	356~400MHz
Work Instruction No.	0607006DC	Date	Jul.28.2006



(3) Electric Character

Item	Specify	Performance	
Center Freq.(Fo) +/- 0.5 %	390 MHz	390 MHz	
Tunable Range	390±4 MHz	390±4 MHz	
Insertion Loss	Typ. 2.5 dB	1.58 dB	
-3 dB Bandwidth	Typ. 19 MHz	21.0 MHz	
Sensitivity (Attenuation)	Fo - 50 MHz	Typ. 45 dBc	48 dBc
	Fo + 50 MHz	Typ. 44 dBc	47 dBc
	Fo - ( )MHz	Typ. dBc	dBc
	Fo +( )MHz	Typ. dBc	dBc
Return Loss	Min. 12 dB	24.3 dB	
Ripple	< 1 dB	dB	
Impedance	In / Out : 50 Ω	In / Out : 50 Ω	

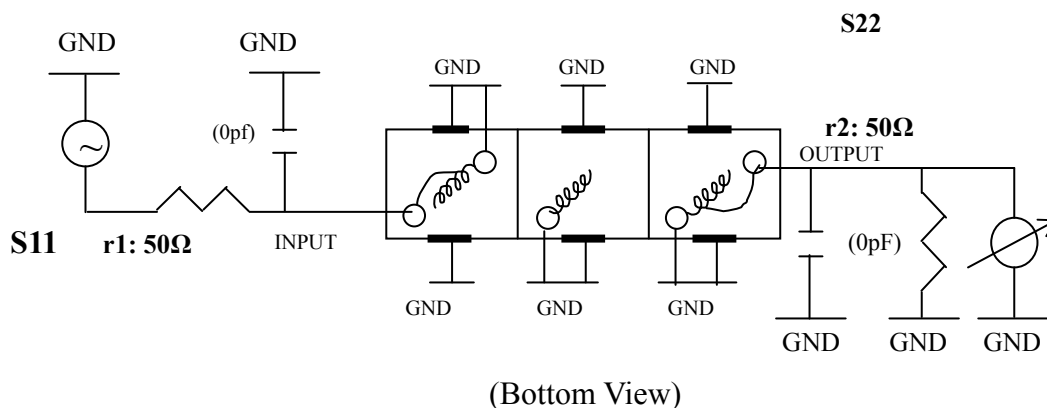
(4) Torque for Tuning Screw > 100gf · cm

(5) Temperature Condition:

Operating Temperature	0°C ~ +60°C
Storage Temperature	-20°C ~ +70°C

(6) Input Power > 1Watt

(7) Measuring Circuit: ※Easy to match Impedance S11/S22 50Ω/ by parallel with about(0)/(0pf).



Approval	Supervisor	Designer	Aperture size
C.Y.Chang	C.S.Chang	P.H.Chiang	7H3(4*6.5)(6.59) 7H046RB4

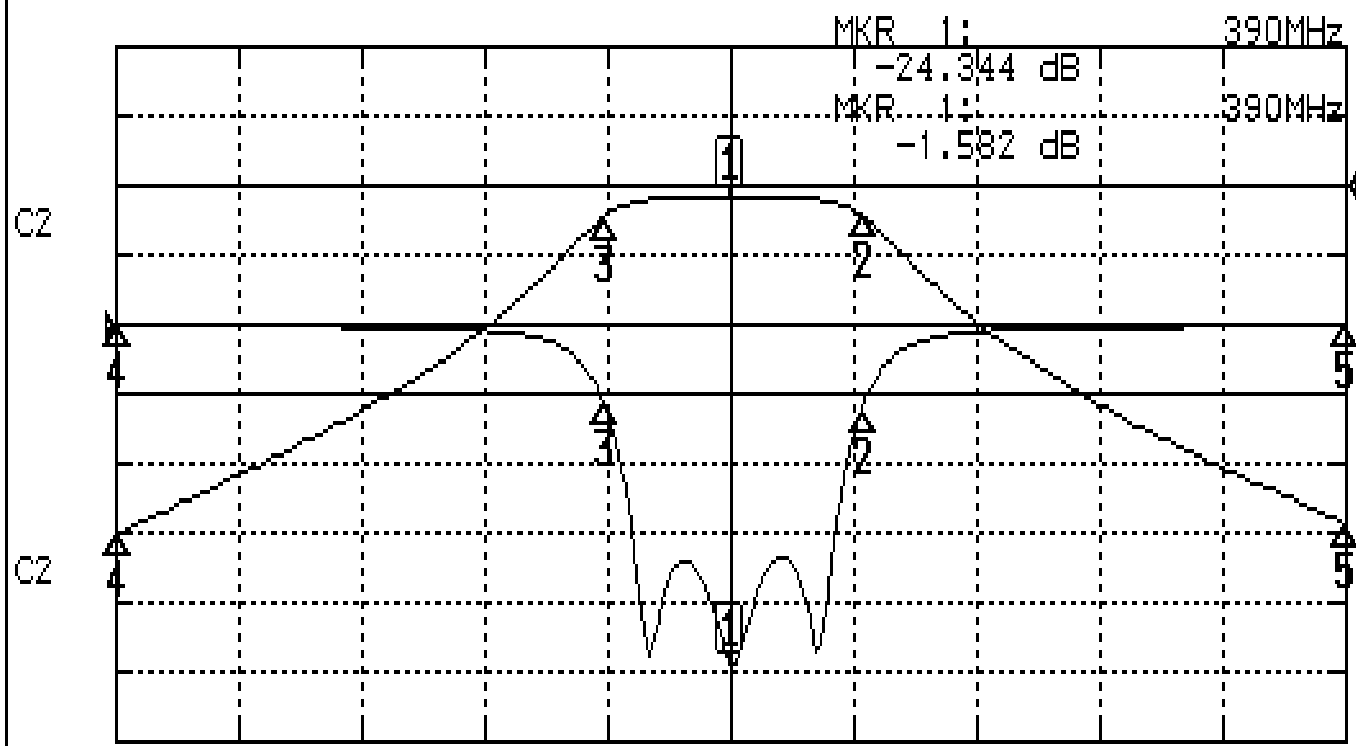
TEMWELL CORPORATION

TEMWELL RP(P.H)

# Performance-TT6771F1-390M

## 0607006DC

CH1 S11 LOG MAG REF 0.000 dB 5.000 dB/  
CH2 S21 LOG MAG REF 0.000 dB 10.000 dB/



CENTER 390MHz

[ 10.00 dBm ]

SPAN 100MHz

### CH1 MARKER LIST

1:	390.000MHz	-24.344 dB
2:	400.750MHz	-6.052 dB
3:	379.750MHz	-5.699 dB
4:	340.000MHz	-0.080 dB
5:	440.000MHz	-0.093 dB
6:		
7:		
8:		
9:		
10:		

### CH2 MARKER LIST

1:	390.000MHz	-1.582 dB
2:	400.750MHz	-4.502 dB
3:	379.750MHz	-4.595 dB
4:	340.000MHz	-50.231 dB
5:	440.000MHz	-48.536 dB
6:		
7:		
8:		
9:		
10:		