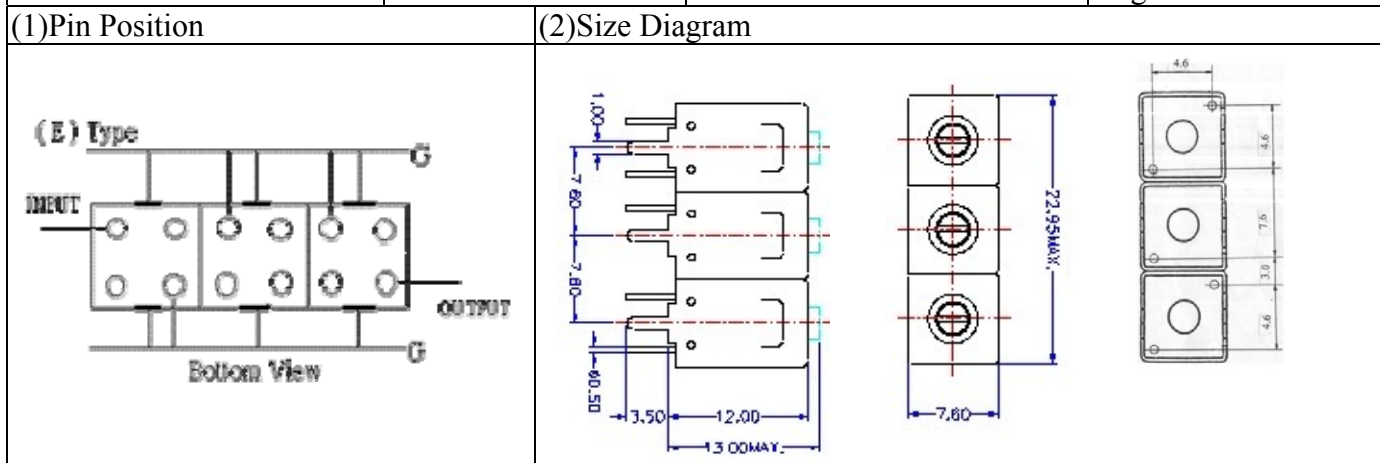


VHF UHF Helical Filter Specification Sheet

Customer Name		Temwell's Part No.	TT6771E2-390M
Approval No. /dated	0607066DC	Acceptable Specify Fo Range	365~400MHz
Work Instruction No.	0607066DC	Date	Aug.01.2006



(3) Electric Character

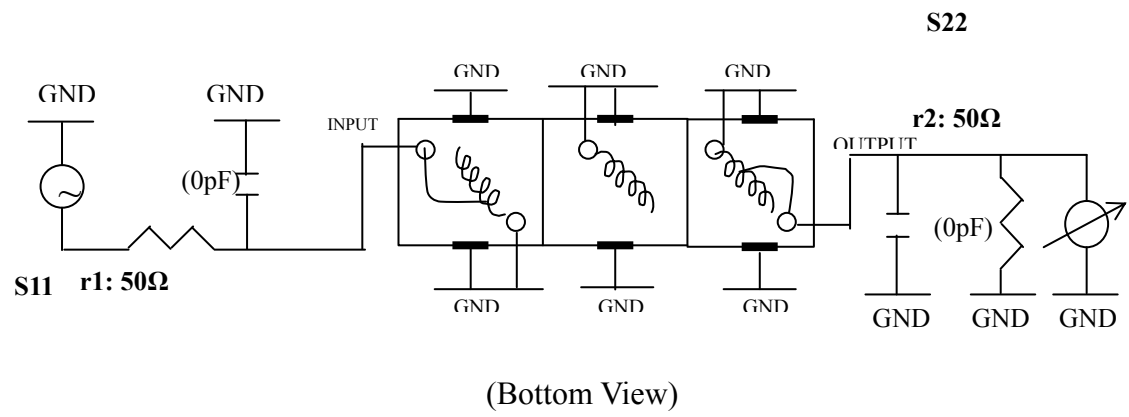
Item	Specify	Performance
Center Freq.(Fo) +/- 0.5 %	390 MHz	390 MHz
Tunable Range	390±4 MHz	390±4 MHz
Insertion Loss	Typ. 2.5 dB	1.55 dB
-3 dB Bandwidth	Typ. 20 MHz	23.8 MHz
Sensitivity (Attenuation)	Fo - 50 MHz	Typ. 45 dBc
	Fo + 50 MHz	Typ. 39 dBc
	Fo - ()MHz	Typ. dBc
	Fo +()MHz	Typ. dBc
Return Loss	Min. 12 dB	28.7 dB
Ripple	< 1 dB	dB
Impedance	In / Out : 50 Ω	In / Out : 50 Ω
(4) Torque for Tuning Screw	> 100gf • cm	

(5) Temperature Condition:

Operating Temperature	0°C ~ +60°C
Storage Temperature	-20°C ~ +70°C

(6) Input Power > 1Watt

(7) Measuring Circuit: ※Easy to match Impedance S11/S22 50Ω/ by parallel with about(0 pF) / (0 pF).

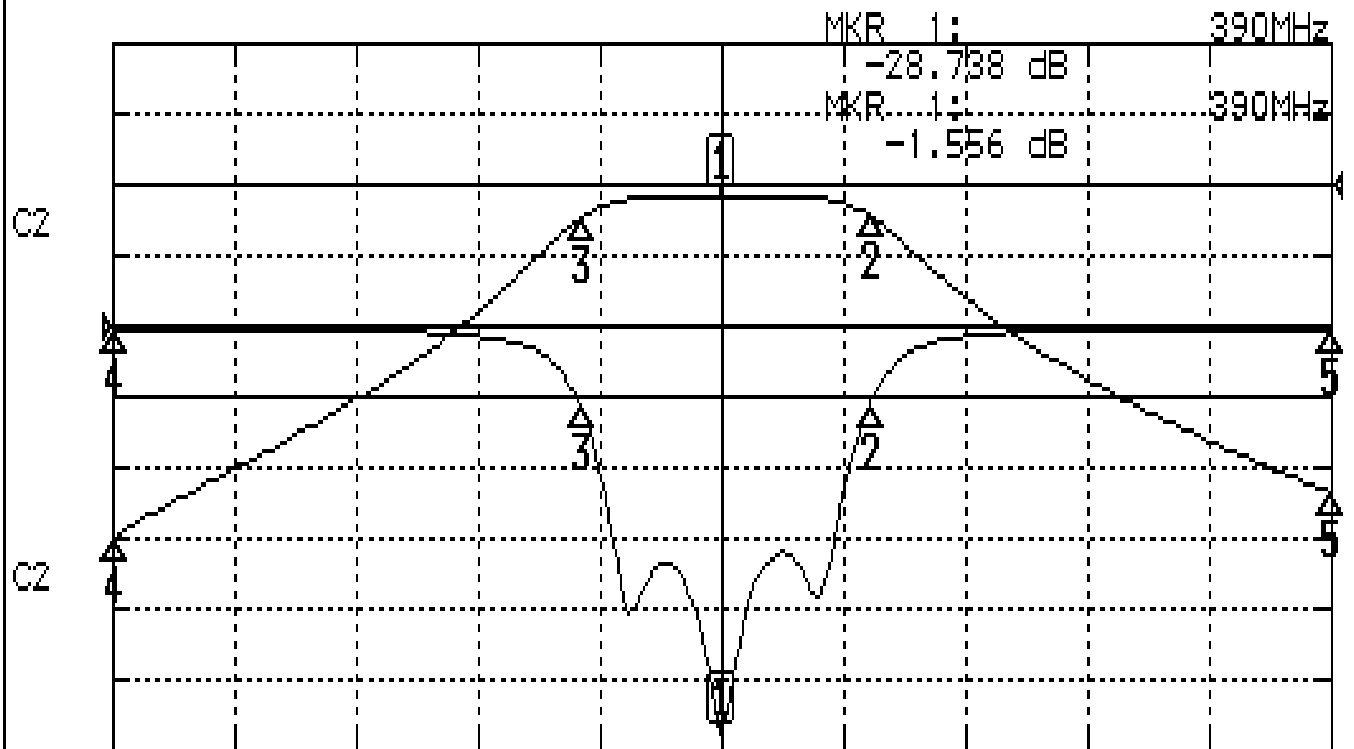


Approval	Supervisor	Designer	Aperture size
C.Y.Chang	C.S.Chang	P.H.Chiang	7H3(4*7.35)(7.50) 7H046LB4 聚 3
TEMWELL		CORPORATION	

Performance-TT6771E2-390M

0607066DC

CH1 S11 LOG MAG REF 0.000 dB 5.000 dB/
CH2 S21 LOG MAG REF 0.000 dB 10.000 dB/



CENTER 390MHz

[10.00 dBm]

SPAN 100MHz

CH1 MARKER LIST

1:	390.000MHz	-28.738	dB
2:	402.250MHz	-5.388	dB
3:	378.500MHz	-5.716	dB
4:	340.000MHz	-0.192	dB
5:	440.000MHz	-0.178	dB

CH2 MARKER LIST

1:	390.000MHz	-1.555	dB
2:	402.250MHz	-4.514	dB
3:	378.500MHz	-4.556	dB
4:	340.000MHz	-49.781	dB
5:	440.000MHz	-43.585	dB