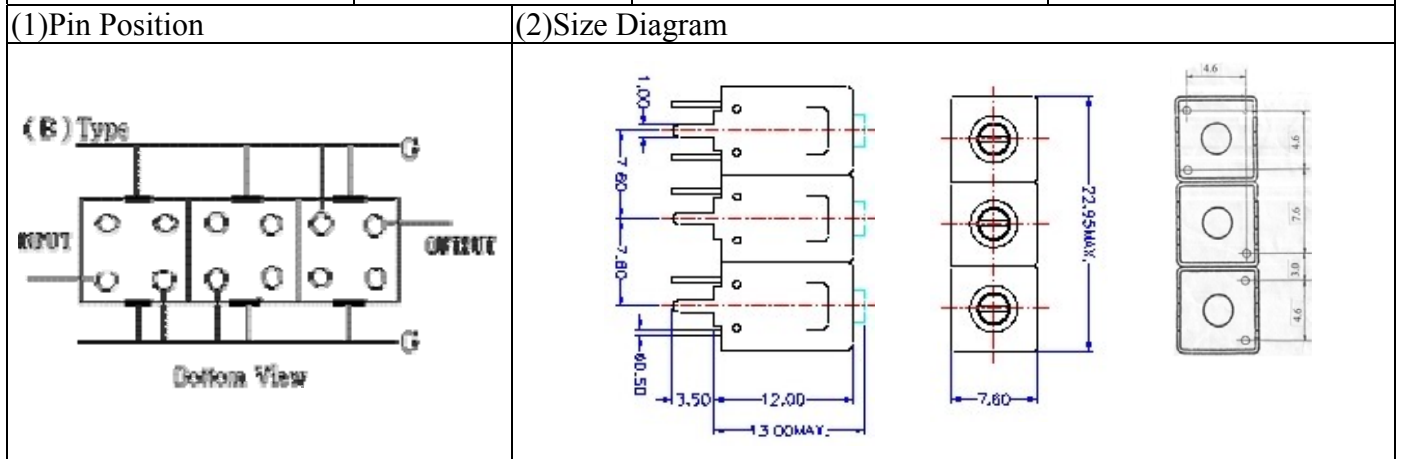


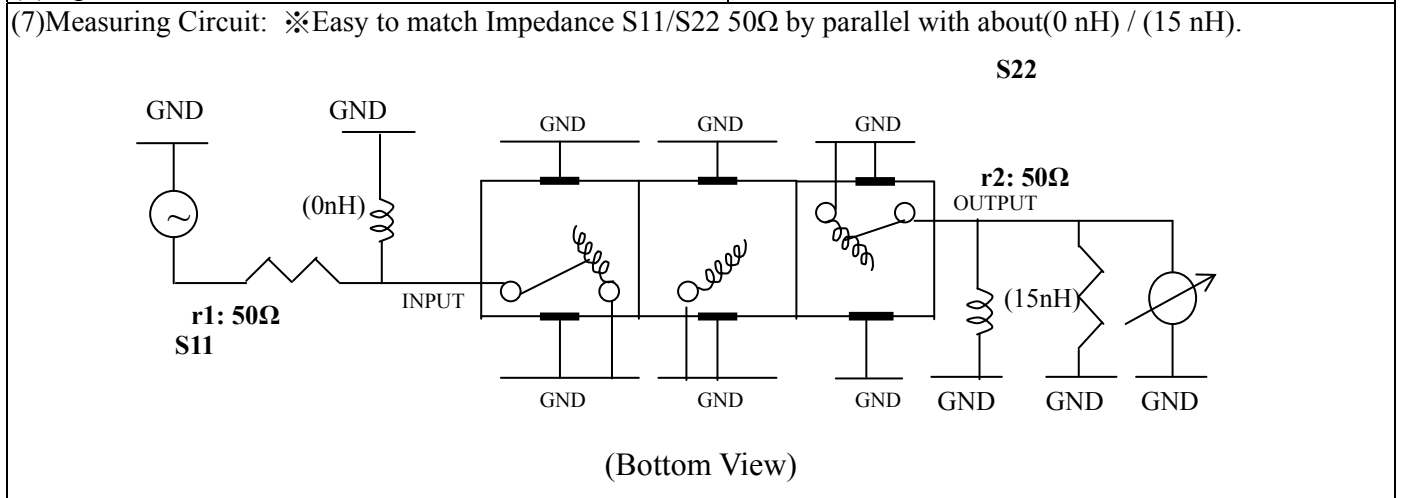
# VHF UHF Helical Filter Specification Sheet

Customer Name		Temwell's Part No.	TT67711B-155M
Approval No. /dated	20507062APR	Acceptable Specify Fo. Range	146~165MHz
Work Instruction No.	20507062DC	Date	Jul.22.2005



(3) Electric Character			
Item		Specify	Performance
Center Freq.(Fo) +/- 0.75 %		155 MHz	155 MHz
Tunable Range		155±2 MHz	155±2 MHz
Insertion Loss		Typ. 3.0 dB	1.89 dB
-3 dB Bandwidth		Typ. 10 MHz	11.5 MHz
Sensitivity (Attenuation)	Fo - 20 MHz	Typ. 43 dBc	46 dBc
	Fo + 20 MHz	Typ. 27 dBc	30 dBc
	Fo - ( )MHz	Typ. dBc	dBc
	Fo +( )MHz	Typ. dBc	dBc
Return Loss		Min. 12 dB	30 dB
Ripple		< 1 dB	dB
Impedance		In / Out : 50 Ω	In / Out : 50 Ω
(4) Torque for Tuning Screw		>100gf • cm	

(5) Temperature Condition:	
Operating Temperature	-30°C ~ +70°C
Storage Temperature	-30°C ~ +80°C
(6) Input Power	> 1Watt

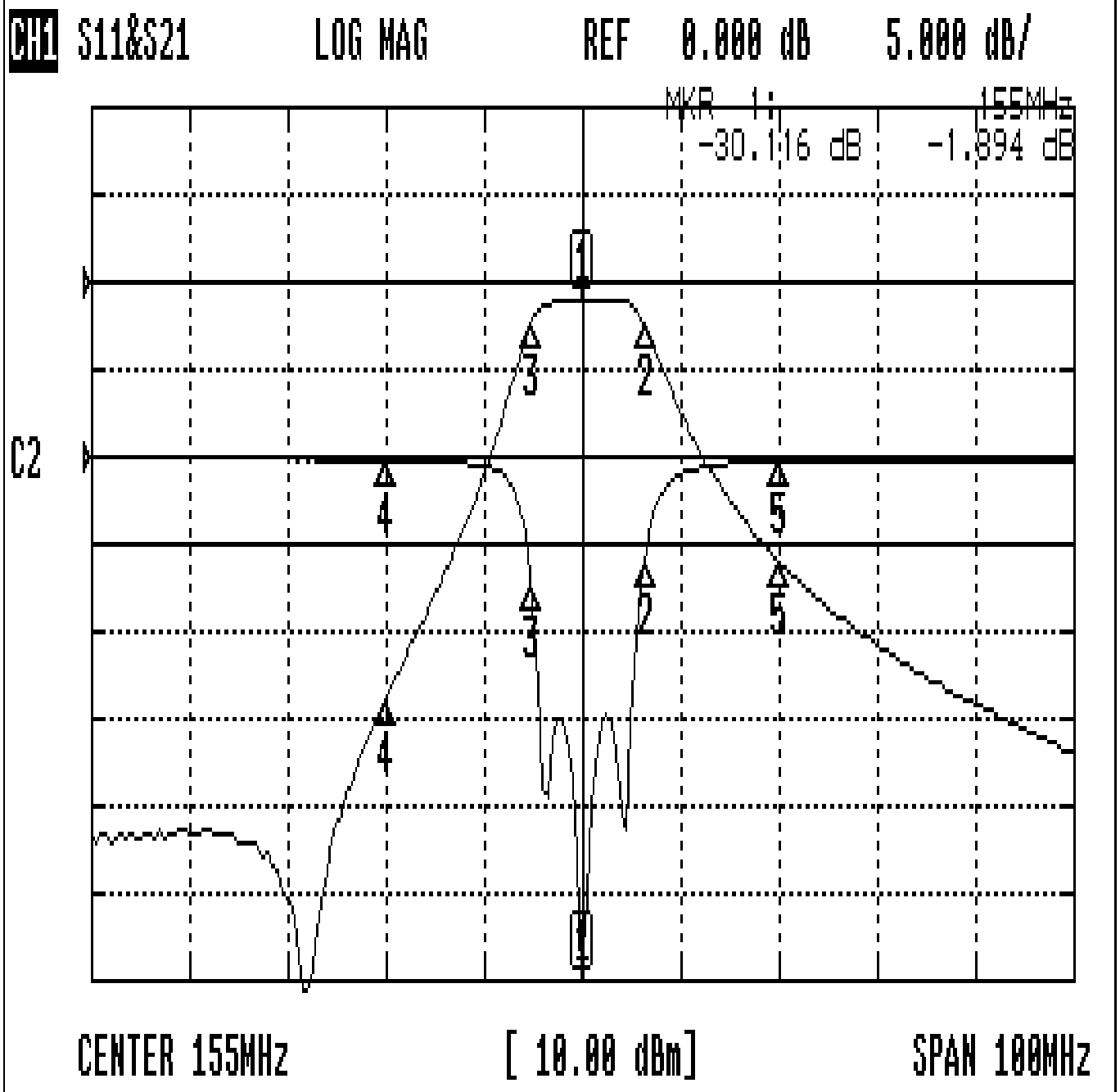


Approval	Supervisor	Designer	Aperture size
C.Y. Chang	C.S. Chang	C.S. Chang	7H3S(4*8.0) 7H024RB4

TEMWELL CORPORATION

# Performance-TT67711B-155M

## 20507062DC



### CH1 MARKER LIST

1:	155.000MHz	-30.116 dB	-1.894 dB
2:	161.333MHz	-5.920 dB	-4.772 dB
3:	149.833MHz	-7.495 dB	-4.772 dB
4:	135.000MHz	-0.175 dB	-47.843 dB
5:	175.000MHz	-0.256 dB	-31.934 dB