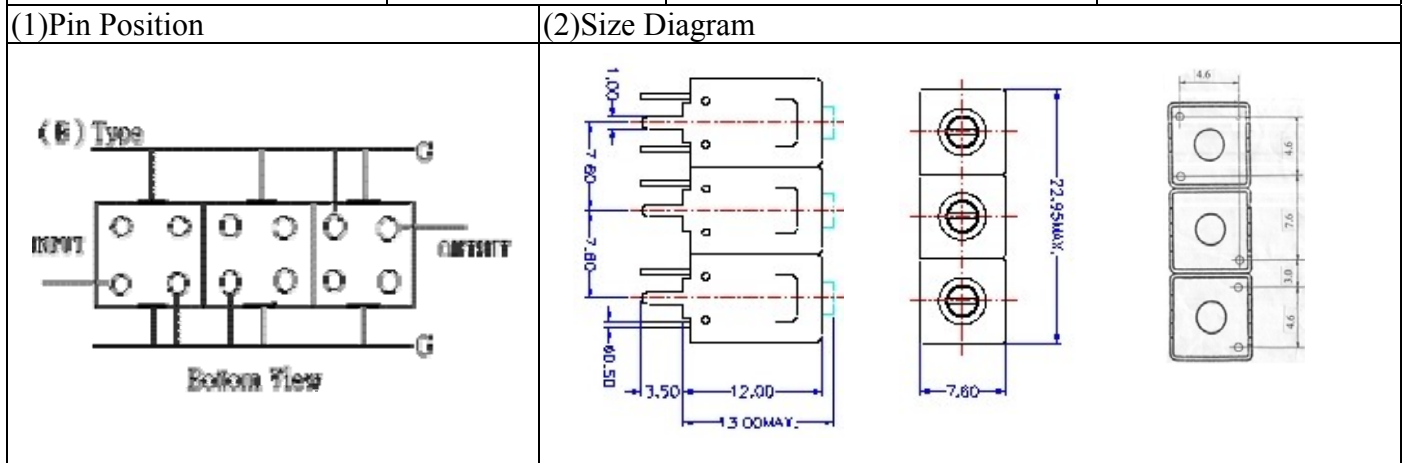


VHF UHF Helical Filter Specification Sheet

Customer Name		Temwell's Part No.	TT67697B-293M
Approval No. /dated	20507040APR	Acceptable Specify Fo. Range	276~310MHz
Work Instruction No.	20507040DC	Date	Jul.15.2005



(3) Electric Charasteric

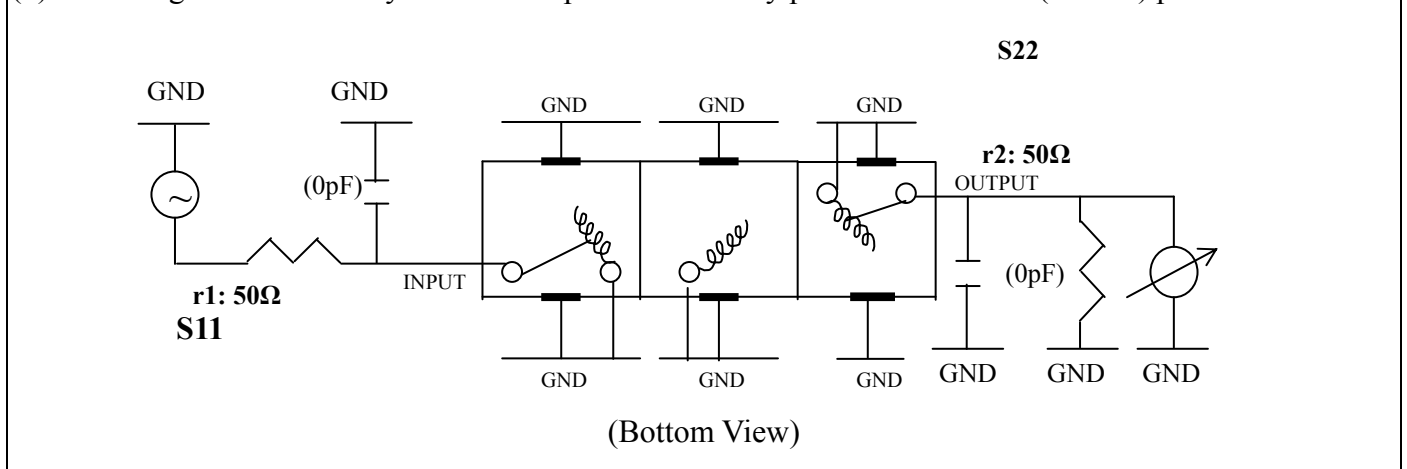
Item	Specify	Performance	
Center Freq.(Fo) +/- 0.5 %	293 MHz	293 MHz	
Tunable Range	293±4 MHz	293±4 MHz	
Insertion Loss	Typ. 2.5 dB	1.44 dB	
-3 dB Bandwidth	Typ. 20 MHz	22.1 MHz	
Sensitivity (Attenuation)	Fo - 30 MHz	Typ. 25 dBc	30 dBc
	Fo + 30 MHz	Typ. 20 dBc	25 dBc
	Fo - ()MHz	Typ. dBc	dBc
	Fo +()MHz	Typ. dBc	dBc
Return Loss	Min. 12 dB	25 dB	
Ripple	< 1 dB	dB	
Impedance	In / Out : 50 Ω	In / Out : 50 Ω	
(4) Torque for Tuning Screw	> 100gf · cm		

(5) Temperature Condition:

Operating Temperature	0°C ~ +60°C
Storage Temperature	-20°C ~ +70°C

(6) Input Power > 1Watt

(7) Measuring Circuit: ※Easy to match Impedance 50Ω/ by parallel with about (0~0.5) pF.

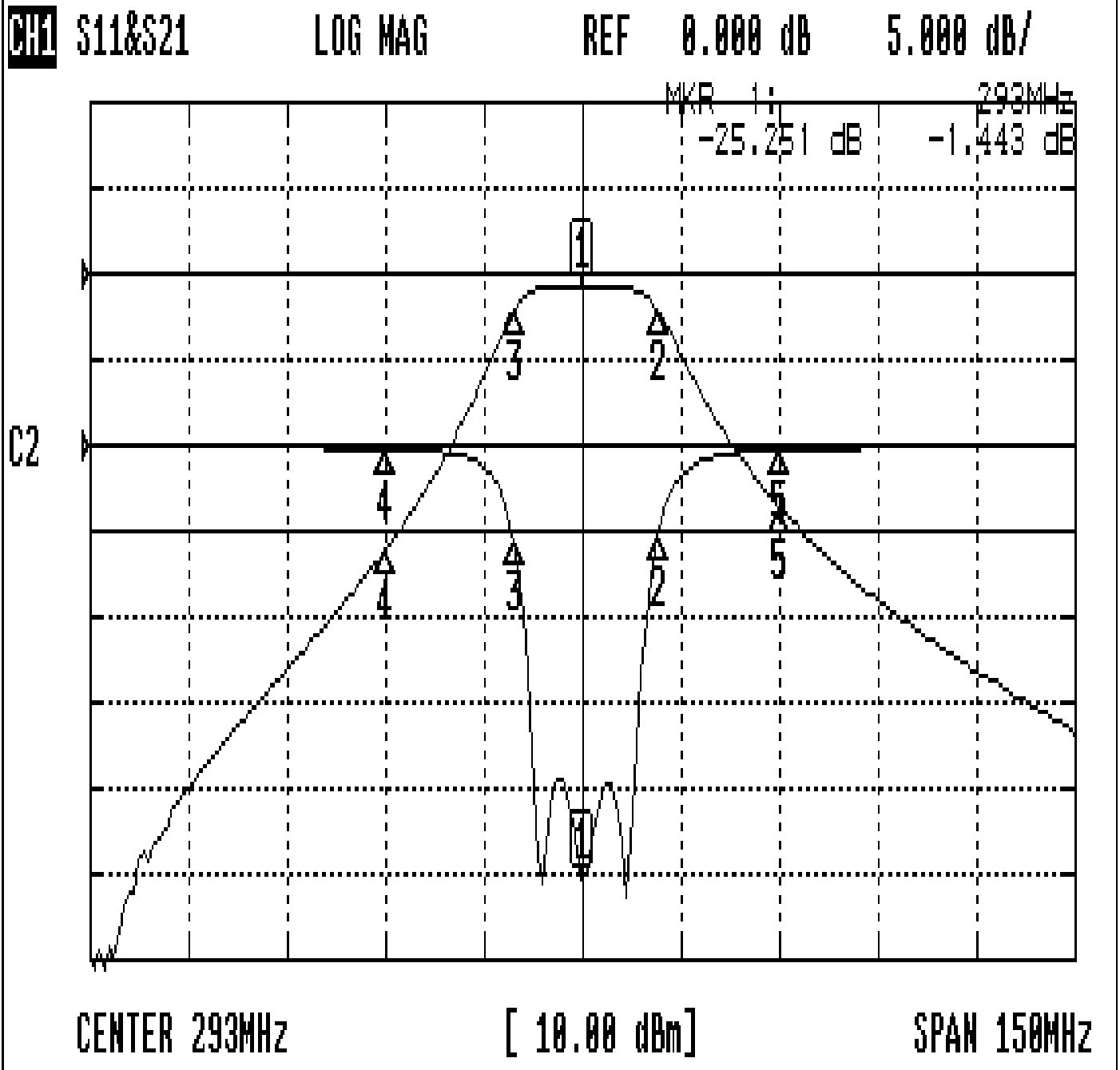


Approval	Supervisor	Designer	Aperture size
C.Y. Chang	C.S. Chang	Enlan	7H3(4*6.5)(6.54) 7H046LB5

TEMWELL CORPORATION

Performance-TT67697B-293M

20507040DC



CH1 MARKER LIST

1:	293.000MHz	-25.251 dB	-1.443 dB
2:	304.625MHz	-5.236 dB	-4.438 dB
3:	282.500MHz	-5.420 dB	-4.432 dB
4:	263.000MHz	-0.196 dB	-32.166 dB
5:	323.000MHz	-0.230 dB	-27.125 dB