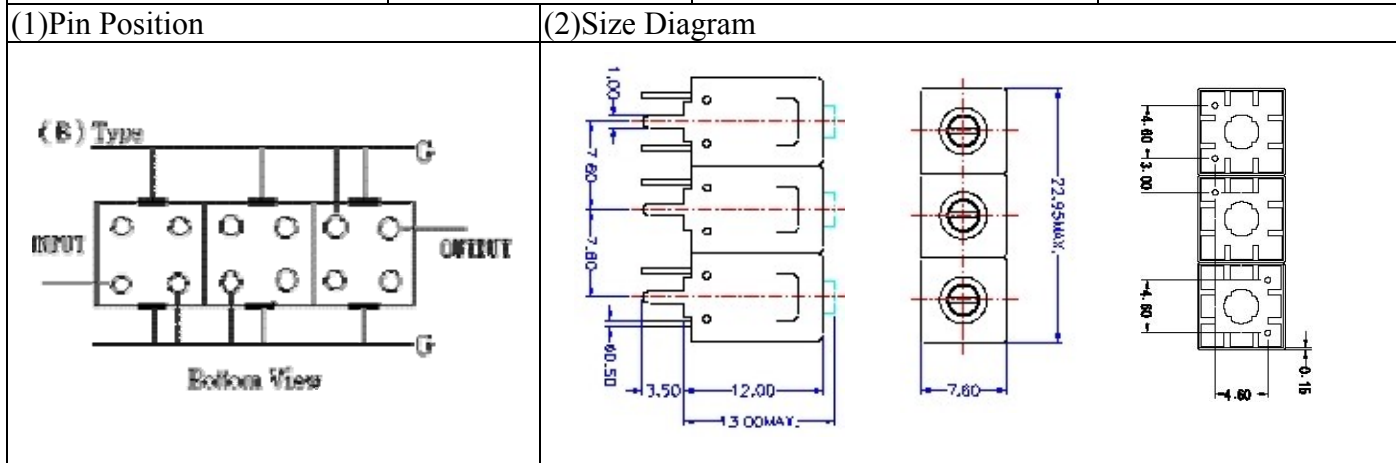


VHF UHF Helical Filter Specification Sheet

Multi-Diplexer Code	AC01	Temwell's Part No.	TT67680B1-140M
Approval No. /dated	0807066CD	Customer's Print Name.	126~145M
Work Instruction No.	0807066CD	Date	Jul.21.2008



(3) Electric Charasteric

Item	Specify	Performance	
Center Freq.(Fo) +/- 0.5 %	140 MHz	140 MHz	
Tunable Range:	140±2 MHz	140±2 MHz	
Insertion Loss	Typ. 2.0 dB	0.70 dB	
-3 dB Bandwidth	Typ. 35 MHz	36.1 MHz	
Sensitivity (Attenuation)	Fo - (50) MHz	Typ. 37 dBc	40 dBc
	Fo + (50) MHz	Typ. 27 dBc	30 dBc
	Fo - () MHz	Typ. dBc	dBc
	Fo + () MHz	Typ. dBc	dBc
Return Loss	Min. 12 dB	29.9 dB	
Ripple	< 1 dB	dB	
Impedance	In / Out : 50 Ω	In / Out : 50 Ω	

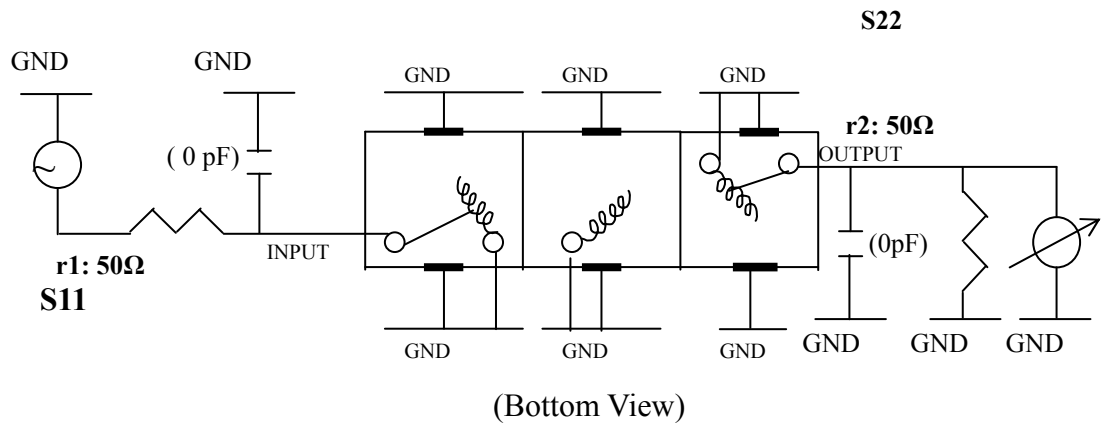
(4) Torque for Tuning Screw > 100gf · cm

(5) Temperature Condition:

Operating Temperature	0°C ~ +60°C
Storage Temperature	-20°C ~ +70°C

(6) Input Power > 1 Watt

(7) Measuring Circuit: ※Easy to match Impedance S11/S22 50Ω by parallel with about(0pF) / (0pF).

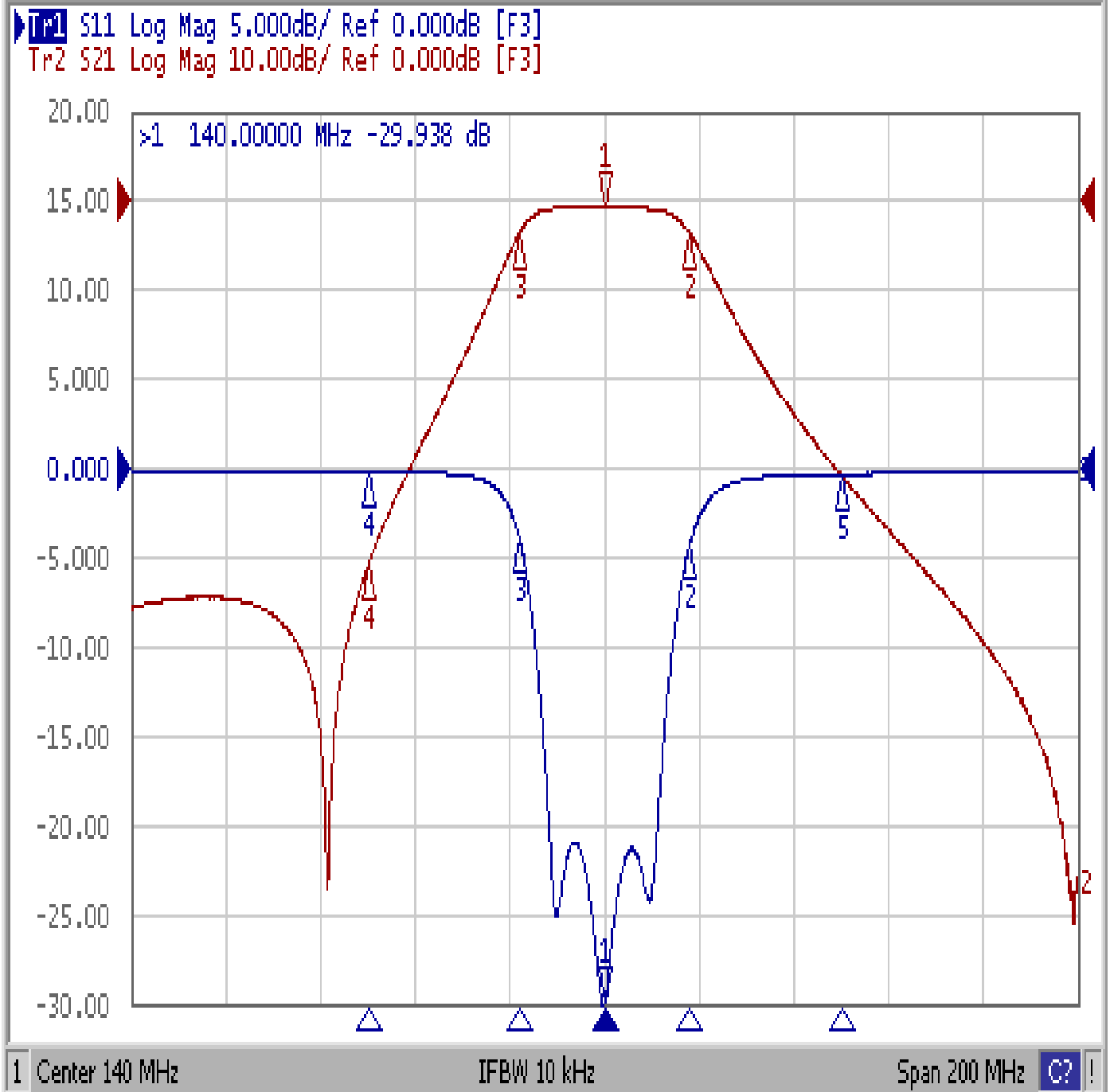


Approval	Supervisor	Designer	Aperture size
C.Y.Chang	C.S.Chang	C.S.Chang	7H3(4*7.5F) (7H024LB6.5)

TEMWELL CORPORATION

Performance-TT67680B1-140M

0807066CD



Ch1	Tr1	S11	>1	140.00000	MHz	-29.938	dB
Ch1	Tr1	S11	2	158.00200	MHz	-4.2282	dB
Ch1	Tr1	S11	3	121.97800	MHz	-3.9179	dB
Ch1	Tr1	S11	4	90.000000	MHz	-0.1862	dB
Ch1	Tr1	S11	5	190.00000	MHz	-0.2910	dB
Ch1	Tr2	S21	1	140.00000	MHz	-0.7035	dB
Ch1	Tr2	S21	2	158.00200	MHz	-3.6873	dB
Ch1	Tr2	S21	3	121.97800	MHz	-3.6437	dB
Ch1	Tr2	S21	4	90.000000	MHz	-40.835	dB
Ch1	Tr2	S21	5	190.00000	MHz	-30.767	dB