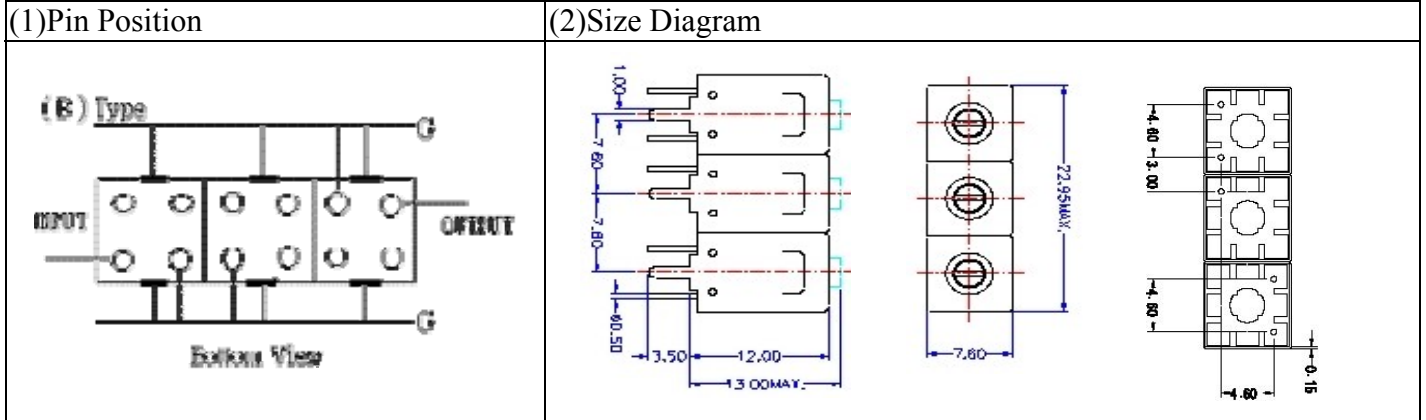


# VHF UHF Helical Filter Specification Sheet

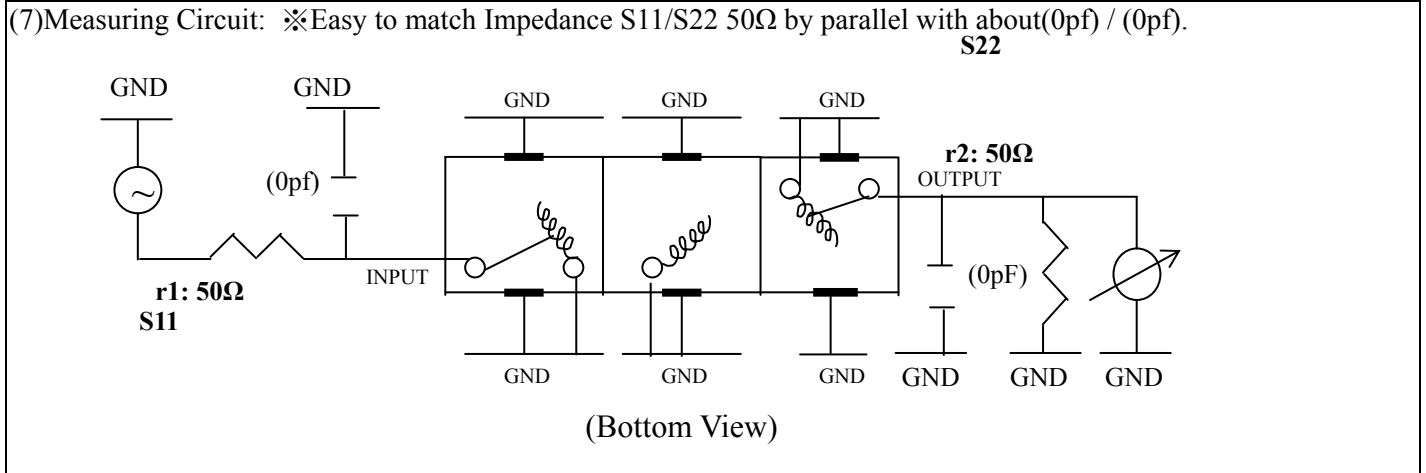
Customer Name		Temwell's Part No.	TT67678B1-140M
Approval No. /dated	0812034APR	Temwell's Print name	126~145M
Work Instruction No.	200812034BD	Date	Dec.11.2008



(3) Electric Characteristic			
Item		Specify	Performance
Center Freq.(Fo) +/- 0.5 %		140 MHz	140 MHz
Tunable Range:		140±2 MHz	140±2 MHz
Insertion Loss		Typ. 2.0 dB	1.15 dB
-3 dB Bandwidth		Typ. 19 MHz	20.3 MHz
Sensitivity (Attenuation)	Fo - 30 MHz	Typ. 28 dBc	31 dBc
	Fo + 30 MHz	Typ. 26 dBc	29 dBc
	Fo - ( )MHz	Typ. dBc	dBc
	Fo + ( )MHz	Typ. dBc	dBc
Return Loss		Min. 12 dB	24.5 dB
Ripple		< 1 dB	dB
Impedance		In / Out : 50 Ω	In / Out : 50 Ω
(4) Torque for Tuning Screw		> 100gf • cm	

(5) Temperature Condition:	
Operating Temperature	0°C ~ +60°C
Storage Temperature	-20°C ~ +70°C

(6) Input Power	> 1 Watt
-----------------	----------

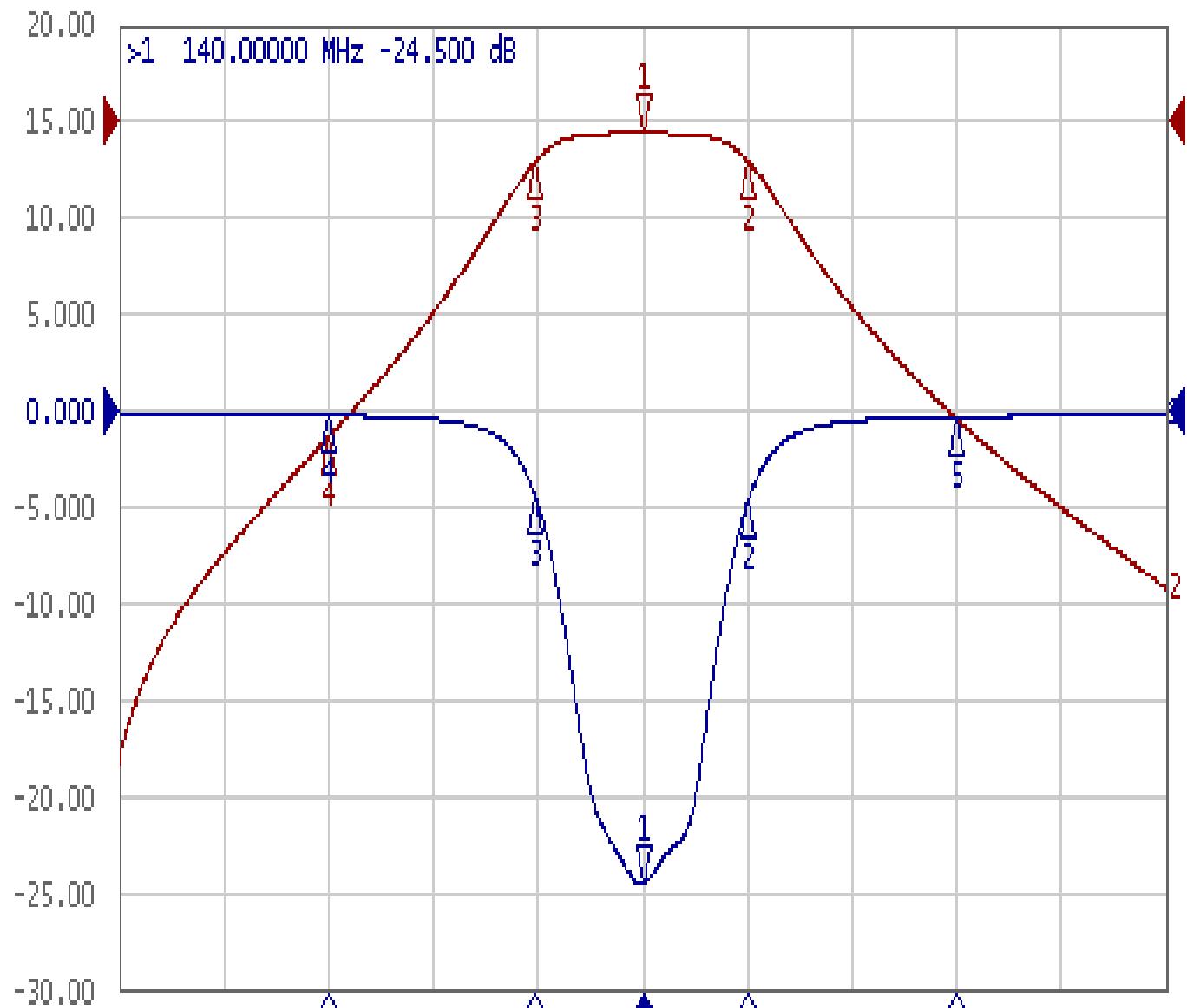


Approval	Supervisor	Designer	Aperture size
C.Y.Chang	C.S.Chang	C.S.Chang	7H3(4*5.5F) 7H024RLB6.5
TEMWELL CORPORATION			

# Performance-TT67678B1-140M

## 200812034BD

Tr1 S11 Log Mag 5.000dB/ Ref 0.000dB [F3]  
Tr2 S21 Log Mag 10.00dB/ Ref 0.000dB [F3]



1 Center 140 MHz

IFBW 10 kHz

Span 100 MHz

C? !

Ch1	Tr1	S11	>1	140.00000	MHz	-24.500	dB
Ch1	Tr1	S11	2	150.09800	MHz	-4.6017	dB
Ch1	Tr1	S11	3	129.75600	MHz	-4.4334	dB
Ch1	Tr1	S11	4	110.00000	MHz	-0.2359	dB
Ch1	Tr1	S11	5	170.00000	MHz	-0.3033	dB
Ch1	Tr2	S21	1	140.00000	MHz	-1.1557	dB
Ch1	Tr2	S21	2	150.09800	MHz	-4.1680	dB
Ch1	Tr2	S21	3	129.75600	MHz	-4.1219	dB
Ch1	Tr2	S21	4	110.00000	MHz	-32.667	dB
Ch1	Tr2	S21	5	170.00000	MHz	-30.834	dB